

# **AVANT<sup>®</sup>** **528** **AVANT<sup>®</sup>** **530**

## **Varaosakirja** **Parts Manual** **Dellista** **Ersatzteilliste**



**Serial numbers: XXXXXX2333 ->**

# Table Of Contents

<b>A461509</b>	<b>AVANT 528 SERIES 3</b>	<b>6</b>
<b>A461511</b>	<b>FRONT FRAME ASSEMBLY 523 SER3</b>	<b>8</b>
<b>A461433</b>	<b>TELESCOPIC BOOM COMPLETE WITH</b>	<b>10</b>
<b>A461513</b>	<b>OUTER BOOM ASSEMBLY</b>	<b>12</b>
<b>A461598</b>	<b>INNER BOOM ASSEMBLY</b>	<b>14</b>
<b>A436687</b>	<b>LINKAGE PIECE "BOOMERANG" CAST STEEL</b>	<b>16</b>
<b>65252</b>	<b>MULTI CONNECTOR, ON LOADER</b>	<b>18</b>
<b>A436576</b>	<b>ATTACHMENT COUPLING PLATE CAST STEEL</b>	<b>20</b>
<b>A436614</b>	<b>LOCKING PIN ASSEMBLY ATTACHM COUPL PLATE</b>	<b>22</b>
<b>A461514</b>	<b>HYDRAULIC TUBES AND HOSES TELESCOPIC</b>	<b>24</b>
<b>A452574</b>	<b>STEERING COLUMN ASSEMBLY</b>	<b>26</b>
<b>A449399</b>	<b>HYDR. HOSES ORBITROL</b>	<b>28</b>
<b>A440870</b>	<b>DRIVE PEDAL ASSEMBLY 700 SERIES</b>	<b>30</b>
<b>A422190</b>	<b>HYDR. HOSES DRIVE PEDAL 700 SERIES</b>	<b>32</b>
<b>A458427</b>	<b>HYDRAULIC OIL COOLER ASSEMBLY</b>	<b>34</b>
<b>A458426</b>	<b>HYDRAULIC MANIFOLD ASSEMBLY TANK LINE</b>	<b>36</b>
<b>A460843</b>	<b>CONTROL VALVE HDS11 ASSEMBLY MANUAL</b>	<b>38</b>
<b>A460740</b>	<b>CONTROL LEVERS &amp; JOINTS HDS11 ASSEMBLY</b>	<b>40</b>
<b>A460791</b>	<b>JOYSTICK MANUAL ASSEMBLY</b>	<b>42</b>
<b>A461285</b>	<b>HYDRAULIC HOSES CONTROL VALVE - BOOM</b>	<b>44</b>
<b>A455807</b>	<b>BOOM SELF LEVELLING, 500 &amp; E SERIES</b>	<b>46</b>
<b>A458483</b>	<b>DIVIDER WITH FITTINGS, HOSES, ASSEMBLY</b>	<b>48</b>
<b>A461499</b>	<b>REAR FRAME ASSEMBLY 528, 530 SER3</b>	<b>50</b>
<b>A461493</b>	<b>REAR FRAME ASSEMBLY 500-600 SER3</b>	<b>52</b>
<b>A461337</b>	<b>SIDE PLATES ASSEMBLY REAR FRAME</b>	<b>54</b>
<b>A461333</b>	<b>MIDDLE FRAME ASSEMBLY 528-650I</b>	<b>56</b>
<b>A461332</b>	<b>REAR FRAME FRONT PART ASSEMBLY 400-650I</b>	<b>58</b>
<b>A37449</b>	<b>ARTICULATION JOINT ASSEMBL REAR FRAME</b>	<b>60</b>
<b>A461316</b>	<b>REAR WEIGHT (BUMPER) 160KG ASSEMBLY</b>	<b>62</b>
<b>A36909</b>	<b>REAR WEIGHT (BUMPER) 160 KG, ASSEMBLY</b>	<b>64</b>
<b>A461339</b>	<b>BOTTOM PLATE ASSEMBLY</b>	<b>66</b>
<b>A460821</b>	<b>ENGINE ASSEMBLY KUBOTA D1105 528/530</b>	<b>68</b>
<b>A460826</b>	<b>ENGINE MOUNTS ASSEMBLY D1105/V1505</b>	<b>70</b>
<b>A461371</b>	<b>DIESEL ENGINE KUBOTA D1105 E4B-AVN-1</b>	<b>72</b>
<b>A461421</b>	<b>RADIATOR HOSES ASSEMBLY</b>	<b>74</b>
<b>A37577</b>	<b>HYDRAULIC PUMPS ASSEMBLY</b>	<b>76</b>
<b>A460887</b>	<b>MOUNTING FRAME AIR FILTER SER3 ASSEMBLY</b>	<b>78</b>
<b>A460889</b>	<b>RADIATOR ASSEMBLY</b>	<b>80</b>
<b>A461143</b>	<b>WIND TUNNEL NO. 2 ASSEMBLY</b>	<b>82</b>
<b>A455499</b>	<b>HYDRAULIC MANIFOLD ASSEMBLY 528 / 530</b>	<b>84</b>
<b>A445726</b>	<b>FUEL TANK ASSEMBLY 645I/650I</b>	<b>86</b>
<b>A455396</b>	<b>FUEL FILTERS ASSEMBLY D1105 V1505</b>	<b>88</b>
<b>A461502</b>	<b>AIR FILTER ASSEMBLY 528/530 SER3</b>	<b>90</b>
<b>A460922</b>	<b>EXHAUST MUFFLER + PIPE ASSEMBLY 528/530</b>	<b>92</b>
<b>A462042</b>	<b>ROPS/FOPS CAB ASSEMBLY 500 SERIES</b>	<b>94</b>

2.2.2024

<b>A462011</b>	<b>SEAT BASE ASSEMBLY 500-700 SERIES</b>		<b>96</b>
<b>A439987</b>	<b>INSTRUMENT PANEL WITH DECAL 700 / 800</b>		<b>98</b>
<b>A48906</b>	<b>ROPS FRAME WITH FOPS CANOPY, 500 SERIES</b>		<b>100</b>
<b>A435860</b>	<b>DASHBOARD ASSEMBLY 700-800 ROPS</b>		<b>102</b>
<b>A451125</b>	<b>COVER PLATES, KIT, ABS 500-600 SERIES</b>		<b>104</b>
<b>A446265</b>	<b>COVER PLATES FRONT FRAME ABS 500-700</b>	*ABS, ROPS	<b>106</b>
<b>A447754</b>	<b>COVER PLATES FRONT FRAME POLYCARBONATE</b>	*PC/HD (optional extra)	<b>108</b>
<b>A446009</b>	<b>COVER PLATES ABS FRONT FRAME CAB GT</b>	*ABS	<b>110</b>
<b>A447757</b>	<b>COVER PLATES HD POLYCARBONATE FRONT</b>	*PC/HD (optional extra)	<b>112</b>
<b>A450770</b>	<b>WORK LIGHTS LED ON FRONT COVERS ASSEMBLY</b>		<b>114</b>
<b>A446429</b>	<b>COVER PLATES REAR FRAME ABS, 645I/650I</b>	*ABS	<b>116</b>
<b>A451004</b>	<b>COVER PLATES REAR FRAME POLYCARBONATE</b>	*PC/HD (optional extra)	<b>118</b>
<b>A445950</b>	<b>MUDGUARDS REAR, PAIR, 645I/650I</b>	*Mudguards	<b>120</b>
<b>A461555</b>	<b>ELECTRIC COMPONENTS 528-640 SER3 KUBOTA</b>		<b>122</b>
<b>A460836</b>	<b>POWER SUPPLY ASSEMBLY 528-640 KUBOTA</b>		<b>124</b>
<b>A453565</b>	<b>VECU &amp; FUSE BOXES ON MOUNTING BRACKET</b>		<b>126</b>
<b>A445134</b>	<b>HYDRAULIC MOTOR ASSEMBLY 364 CCM POCLAIN</b>	*Avant 528 (1 speed)	<b>128</b>
<b>A451431</b>	<b>HYDR. HOSES DRIVE 500-600 SERIES 1-SPEED</b>	*Avant 528 (1 speed)	<b>130</b>
<b>A454024</b>	<b>HYDRAULIC MANIFOLD ANTI SLIP VALVE</b>		<b>132</b>
<b>A454023</b>	<b>HYDRAULIC MANIFOLD 1-SPEED DRIVE RELEASE</b>		<b>134</b>
<b>A428313</b>	<b>DECAL KIT 400-800 SERIES</b>		<b>136</b>
<b>A434209</b>	<b>DECAL KIT AVANT 528 ROPS OPTIDRIVE</b>		<b>138</b>
<b>A461606</b>	<b>AVANT 530 SERIES 3</b>		<b>140</b>
<b>A444958</b>	<b>HYDRAULIC MOTOR ASSEMBLY 398/199 CCM</b>	*Avant 530 (2 speed)	<b>142</b>
<b>65666</b>	<b>HYDRAULIC MOTOR MSE02 RIGHT 398/199</b>		<b>144</b>
<b>65668</b>	<b>HYDRAULIC MOTOR MSE02 WITH BRAKE RIGHT</b>		<b>146</b>
<b>A452890</b>	<b>HYDR. HOSES DRIVE 500-600 SERIES 2-SPEED</b>	*Avant 530 (2 speed)	<b>148</b>
<b>A454022</b>	<b>HYDRAULIC MANIFOLD 2-SPEED</b>		<b>150</b>
<b>A449937</b>	<b>CAB L</b>		<b>152</b>
<b>A443979</b>	<b>WINDSCREEN WIPER ASSEMBLY CAB L 523-760I</b>		<b>154</b>
<b>A446010</b>	<b>TANK ASSEMBLY WINDSCREEN WASHER</b>		<b>156</b>
<b>A438520</b>	<b>WORK LIGHT KIT, 3 LED LIGHTS 700 LUMEN</b>		<b>158</b>
<b>A449941</b>	<b>ROAD TRAFFIC KIT, ON ROPS 500-600 SERIES</b>		<b>160</b>
<b>A412565</b>	<b>REAR WALL FOR ROAD TRAFFIC LIGHTS</b>		<b>162</b>
<b>A444539</b>	<b>CAB GT, 700 SERIES</b>		<b>164</b>
<b>A453487</b>	<b>BASIC PARTS CAB GT</b>		<b>166</b>
<b>A448117</b>	<b>FRAME CAB GT</b>		<b>168</b>
<b>A438895</b>	<b>LATCH ASSEMBLY</b>		<b>170</b>
<b>A453483</b>	<b>DOOR AND WINDOWS ASSEMBLY CAB GT</b>		<b>172</b>
<b>A445896</b>	<b>WINDSCREEN ASSEMBLY CAB GT</b>		<b>174</b>
<b>A449928</b>	<b>WINDSCREEN WIPER ASSEMBLY CAB GT</b>		<b>176</b>
<b>A436771</b>	<b>REAR WINDOWS CAB GT</b>		<b>178</b>
<b>A434952</b>	<b>WINDOW RIGHT ASSEMBLY CAB GT</b>		<b>180</b>
<b>A436900</b>	<b>SUNROOF ASSEMBLY CAB GT</b>		<b>182</b>
<b>A434950</b>	<b>DOOR ASSEMBLY CAB GT</b>		<b>184</b>

---&gt;

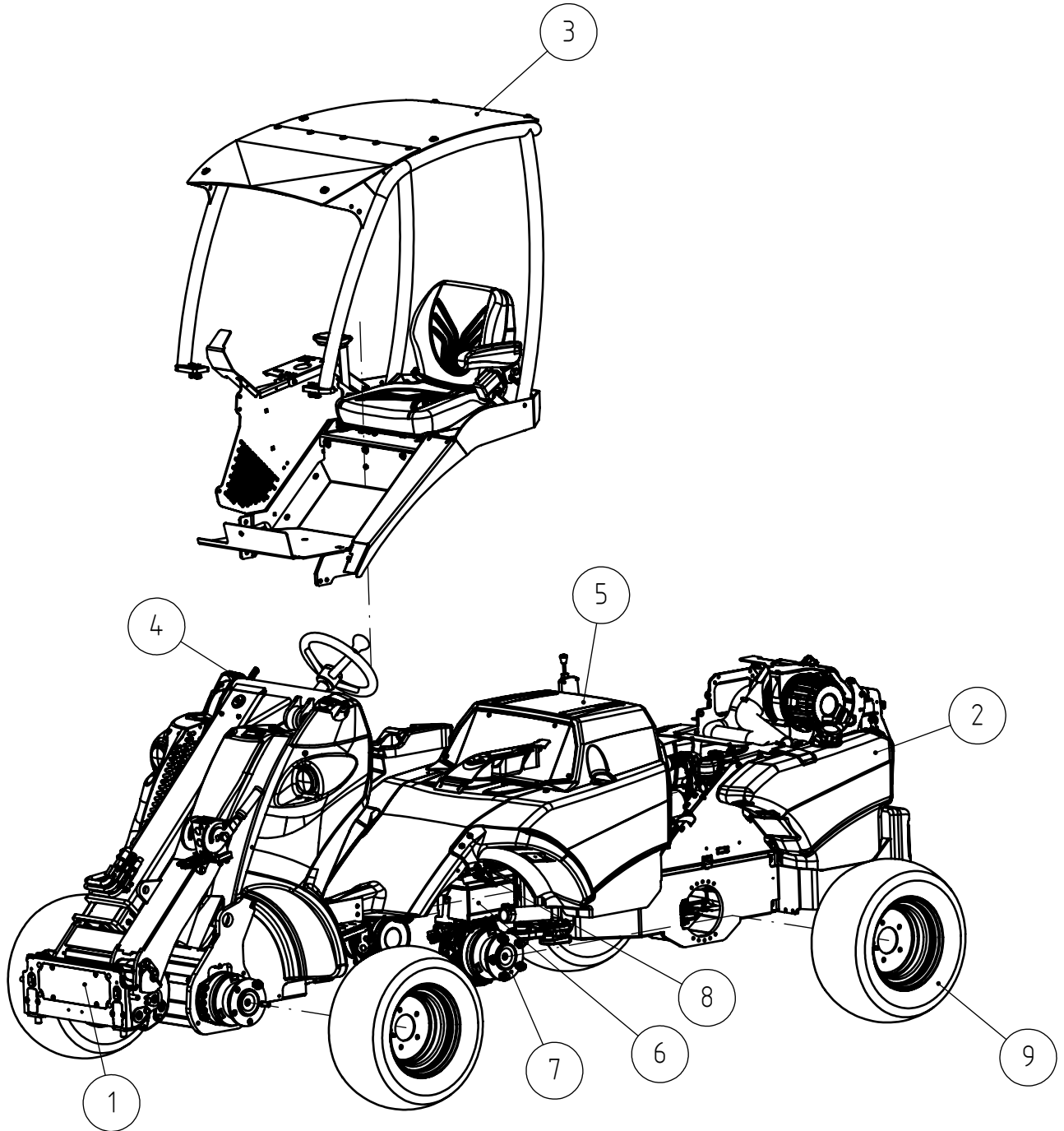
2.2.2024

<b>A453489</b>	<b>UPHOLSTERY ASSEMBLY CAB GT</b>	<b>186</b>
<b>A434208</b>	<b>FLOOR MAT ASSEMBLY CAB GT</b>	<b>188</b>
<b>A436615</b>	<b>HEAT SHIELD ASSEMBLY CAB GT</b>	<b>190</b>
<b>A436754</b>	<b>UPHOLSTERY PANELS B-PILLARS CAB GT</b>	<b>192</b>
<b>A436635</b>	<b>AIR DUCTS ASSEMBLY CAB GT</b>	<b>194</b>
<b>A434410</b>	<b>SERVICE HATCH ASSEMBLY CAB GT</b>	<b>196</b>
<b>A438892</b>	<b>UPHOLSTERY ASSEMBLY CEILING CAB GT</b>	<b>198</b>
<b>A438887</b>	<b>SUN VISOR ASSEMBLY CAB GT</b>	<b>200</b>
<b>A438452</b>	<b>NET POCKET ASSEMBLY CAB GT</b>	<b>202</b>
<b>A438443</b>	<b>NET POCKET REAR ASSEMBLY CAB GT</b>	<b>204</b>
<b>A448127</b>	<b>CONTROLS ASSEMBLY CAB GT</b>	<b>206</b>
<b>A465450</b>	<b>CONTROLS ASSEMBLY CAB GT</b>	<b>208</b>
<b>A436574</b>	<b>DASHBOARD CAB GT / DLX</b>	<b>210</b>
<b>A449724</b>	<b>SEAT FULL SUSPENSION FABRIC HEATER MSG65</b>	<b>212</b>
<b>A438246</b>	<b>HEATER ASSEMBLY CAB GT</b>	<b>214</b>
<b>A442729</b>	<b>SUBFRAME CAB GT</b>	<b>216</b>
<b>A462115</b>	<b>ALTERNATOR 80A ASSEMBLY</b>	<b>218</b>
	<small>*80A only with cabin GT</small>	
<b>A465414</b>	<b>HEATER HOSES IN ENGINE COMPARTMENT</b>	<b>220</b>
<b>A438528</b>	<b>WORK LIGHT KIT LED 700LM CAB GT</b>	<b>222</b>
<b>A449942</b>	<b>ROAD TRAFFIC KIT CAB GT 500-600 SERIES</b>	<b>224</b>
<b>A438530</b>	<b>BEACON 800 SERIES</b>	<b>226</b>
<b>A455809</b>	<b>REAR AUX. HYDR. OUTLET, DOUBLE ACTING</b>	<b>228</b>
<b>A35884</b>	<b>EXTRA AUX. HYDR. OUTLET, FRONT, 500 SERI</b>	<b>230</b>
<b>A450469</b>	<b>HYDRAULIC ATTACHMENT COUPLING PLATE 500,</b>	<b>232</b>
<b>A449703</b>	<b>VALVE ASSEMBLY HYDR. ATTACHMENT COUPLING</b>	<b>234</b>
<b>A449947</b>	<b>ENGINE BLOCK HEATER 645I/650I 220/230V</b>	<b>236</b>

2.2.2024

---

A461509 AVANT 528 SERIES 3



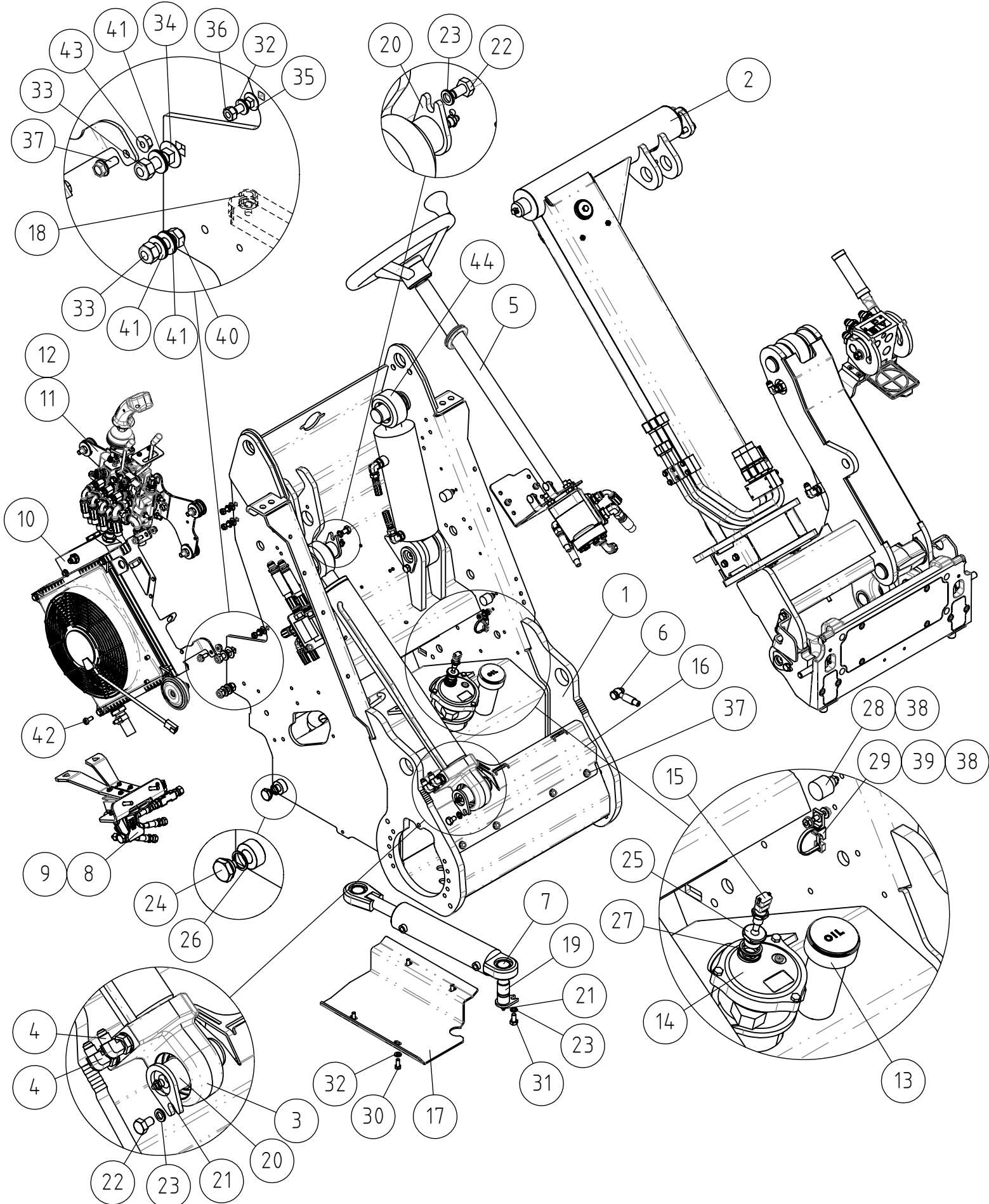
2.2.2024

**A461509 AVANT 528 SERIES 3**

REF	PART NO	QTY	DESCRIPTION	NOTES	PAGE
1	A461511	1	FRONT FRAME ASSEMBLY 523 SER3		8
2	A461499	1	REAR FRAME ASSEMBLY 528, 530 SER3		50
3	A462042	1	ROPS/FOPS CAB ASSEMBLY 500 SERIES		94
4	A435860	1	DASHBOARD ASSEMBLY 700-800 ROPS		102
5	A451125	1	COVER PLATES, KIT, ABS 500-600 SERIES		104
6	A461555	1	ELECTRIC COMPONENTS 528-640 SER3 KUBOTA		122
7	A445134	1	HYDRAULIC MOTOR ASSEMBLY 364 CCM POCLAIN	Avant 528 (1 speed)	128
8	A451431	1	HYDR. HOSES DRIVE 500-600 SERIES 1-SPEED	Avant 528 (1 speed)	130
9	65996	4	WHEEL 23*10.50-12 GRASS, 5-HOLE RIM		-
9	65997	4	WHEEL 23*10.50-12 TRACTOR 5- HOLE RIM		-
9	65414	4	WHEEL 27*8.50-15 10 HOLE RIM TRACTORPROF		-
9	65995	4	WHEEL 23*8.50-12 TRACTOR 5- HOLE RIM		-
9	65994	4	WHEEL 23*8.50-12 GRASS, 5-HOLE RIM		-
9	65212	4	WHEEL 26*12.00-12 GRASS PROFILE 10-HOLE		-
9	65739	4	WHEEL 26*12.00-12 TRACTOR, 10 HOLE RIM		-
9	65224	4	WHEEL (TYRE+RIM) 10 HOLE 320/60-12 TR HD		-
10	A428313	1	DECAL KIT 400-800 SERIES		136
11	A434209	1	DECAL KIT AVANT 528 ROPS OPTIDRIVE		138

2.2.2024

# A461511 FRONT FRAME ASSEMBLY 523 SER3



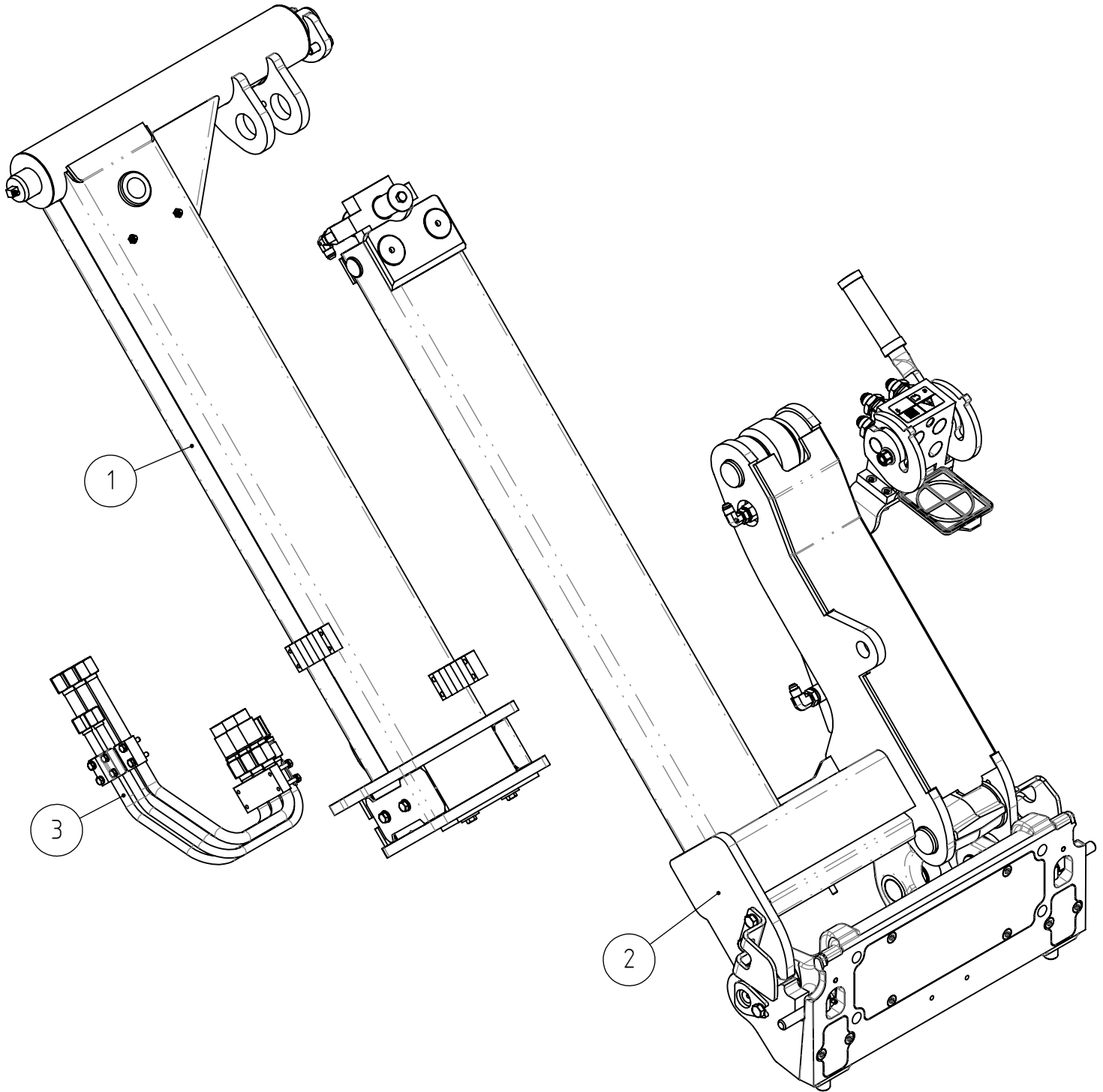


**A461511 FRONT FRAME ASSEMBLY 523 SER3**

REF	PART NO	QTY	DESCRIPTION	NOTES	PAGE
1	A450315	1	FRONT FRAME 500-600 SERIES		-
2	A461433	1	TELESCOPIC BOOM COMPLETE WITH		10
3	A420809	1	HYDRAULIC CYLINDER F63/F35-450		-
3.1	65003	1	SEAL KIT, 63/35 CYLINDER		-
3.2	64911	2	ARTICUL. BEARING GE40ES F62/40-28(22)		-
4	64044	2	ELBOW FITTING 90° C40XS10-3/8 /8		-
5	A452574	1	STEERING COLUMN ASSEMBLY		26
6	A449399	1	HYDR. HOSES ORBITROL		28
7	A410813	1	HYDR. CYLINDER F60/F30-172 STEERING		-
7.1	65567	1	SEAL KIT, CYLINDER F60/F30		-
7.2	64273	2	ARTICUL. BEARING GE30ESF47/30-22(18)		-
8	A440870	1	DRIVE PEDAL ASSEMBLY 700 SERIES		30
9	A422190	1	HYDR. HOSES DRIVE PEDAL 700 SERIES		32
10	A458427	1	HYDRAULIC OIL COOLER ASSEMBLY		34
11	A460843	1	CONTROL VALVE HDS11 ASSEMBLY MANUAL		38
12	A461285	1	HYDRAULIC HOSES CONTROL VALVE - BOOM		44
13	A48010	1	DIPSTICK L=230 HYDR. OIL R1 1/4"		-
14	64176	1	HYDRAULIC OIL FILTER, RETURN, OMTF 75-20		-
14.1	A427821	1	SEAL KIT HYDRAULIC RETURN OIL FILTER		-
15	A433798	1	TEMPERATURE SENSOR TF-W		-
16	A449045	1	COVER DRIVE MOTORS FRONT		-
17	A410452	1	BOTTOM PLATE		-
18	A413262	2	BUSHING F19/F10, FLOOR RAISING, 700		-
19	A47655	1	PIVOT PIN F30-60		-
20	A47041	2	PIVON PIN F40-90		-
21	72798	3	GREASE NIPPLE R 1/8" STRAIGHT		-
22	72147	2	HEXAGONAL SCREW M 10*16 DIN 933		-
23	74531	3	SPACER NORDLOCK M10, PAIR		-
24	64352	1	HEXAGONAL DRAIN PLUG, MAGNETIC R 1/2		-
25	A438517	1	FITTING G1/2" => M12*1,5		-
26	75117	1	SEAL RING F26/F21*1,5		-
27	73047	1	USIT SEAL RING R/12"		-
28	65238	2	RUBBER MOUNT, CYLINDRICAL		-
29	A442639	1	CABLE TIE 7,6*390 M6 BLACK		-
30	72130	4	HEXAGONAL SCREW M8*20		-
31	73040	1	HEXAGONAL SCREW M10*20 DIN 933 ZN		-
32	63944	7	WASHER, PAIR, NORD-LOCK M8		-
33	72324	2	HEXAGONAL NUT M 12 NYLOC DIN 985		-
34	74983	1	CARRIAGE BOLT M12*35 DIN603		-
35	74857	3	CARRIAGE BOLT M8*25 DIN603		-
36	72319	3	HEXAGONAL NUT M8 DIN 934		-
37	A429201	6	HEXAGONAL SERRATED SCREW M8*20 WITH		-
38	74781	3	HEXAGONAL NUT M6 WITH FLANGE		-
39	A431349	1	HEXAGONAL SERRATED SCREW M6*20 W. FLANG		-
40	75156	1	HEXAGONAL SCREW M12*35 DIN 931 10.9		-
41	A430999	3	WASHER, PAIR, M12 NORDLOCK		-
42	A435496	1	THREAD-FORMING SCREW M8*20 DIN 7500C		-
43	A450046	2	HEXAGONAL NUT M8 WITH FLANGE		-
44	A455807	1	BOOM SELF LEVELLING, 500 & E SERIES		46

2.2.2024

# A461433 TELESCOPIC BOOM COMPLETE WITH



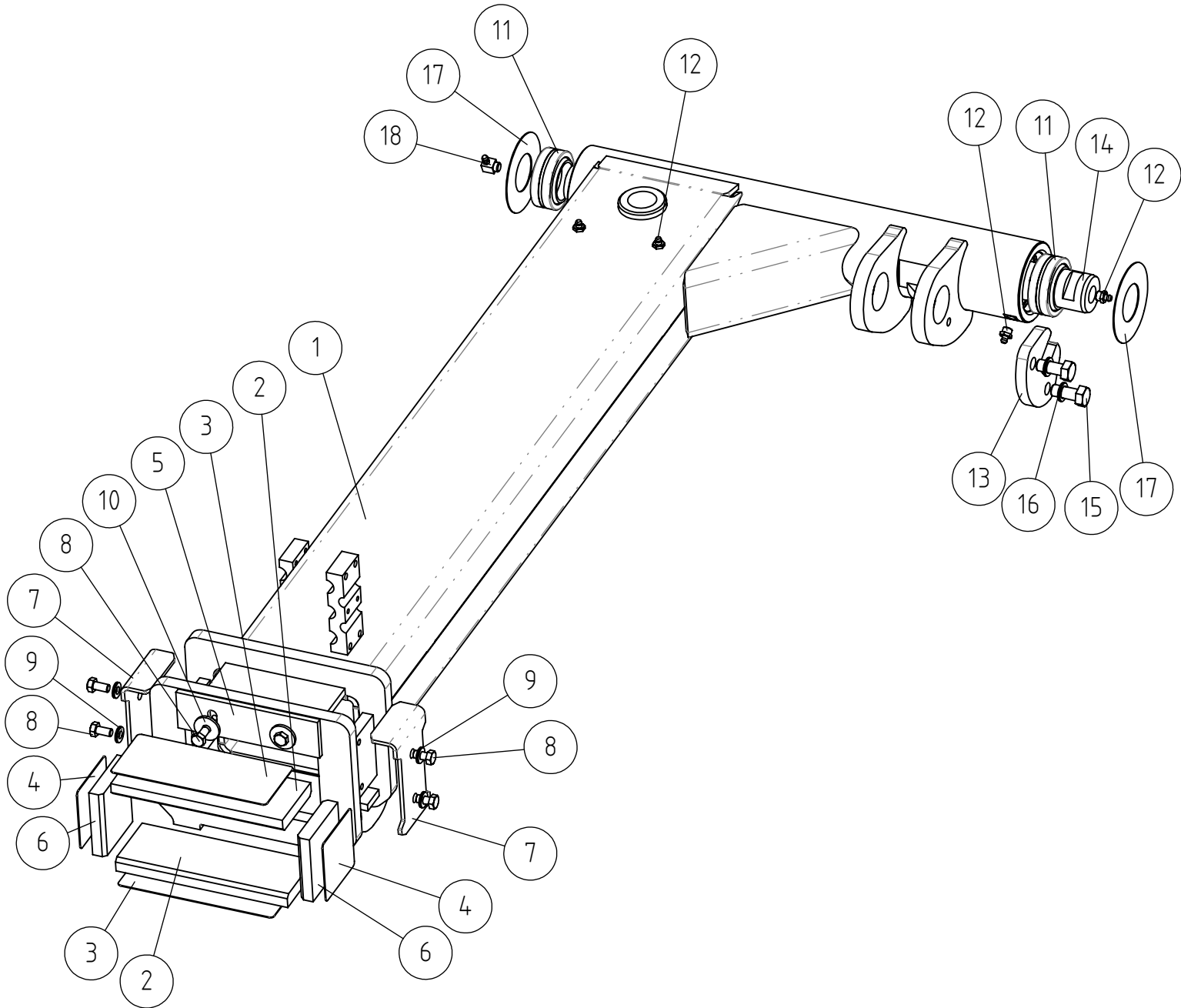
2.2.2024

**A461433 TELESCOPIC BOOM COMPLETE WITH**

REF	PART NO	QTY	DESCRIPTION	NOTES	PAGE
1	A461513	1	OUTER BOOM ASSEMBLY		12
2	A461598	1	INNER BOOM ASSEMBLY		14
3	A461514	1	HYDRAULIC TUBES AND HOSES TELESCOPIC		24

2.2.2024

# A461513 OUTER BOOM ASSEMBLY



2.2.2024

**A461513 OUTER BOOM ASSEMBLY**

REF	PART NO	QTY	DESCRIPTION	NOTES	PAGE
1	A33604	1	OUTER BOOM		-
2	A48339	2	SLIDE PAD 15*72*194		-
3	A48014	2	ADJUSTMENT PLATE 1 MM, LONG		-
4	A48013	2	ADJUSTMENT PLATE 1 MM, SHORT		-
5	A48367	1	SCRAPER		-
6	A48340	2	SLIDE PAD 15*72*78		-
7	A48341	2	MOUNTING PLATE, SLIDE PAD		-
8	73039	6	HEXAGONAL SCREW M 8*16 DIN 933 ZN		-
9	63944	4	WASHER, PAIR, NORD-LOCK M8		-
10	71685	2	WASHER M8 R9 DIN 440 ZN		-
11	64911	2	ARTICUL. BEARING GE40ES F62/40-28(22)		-
12	72798	4	GREASE NIPPLE R 1/8" STRAIGHT		-
13	A49723	1	LOCKING PLATE		-
14	A49725	1	PIVOT PIN F40-564		-
15	72167	2	HEXAGONAL SCREW M12*30 DIN 933		-
16	74532	2	WASHER NORDLOCK NL12		-
17	A414808	2	SHIM RING S=1 MM 85/40.25 ARTICULATION		-
18	74082	1	GREASE NIPPLE R1/8" 90 DEGREE		-



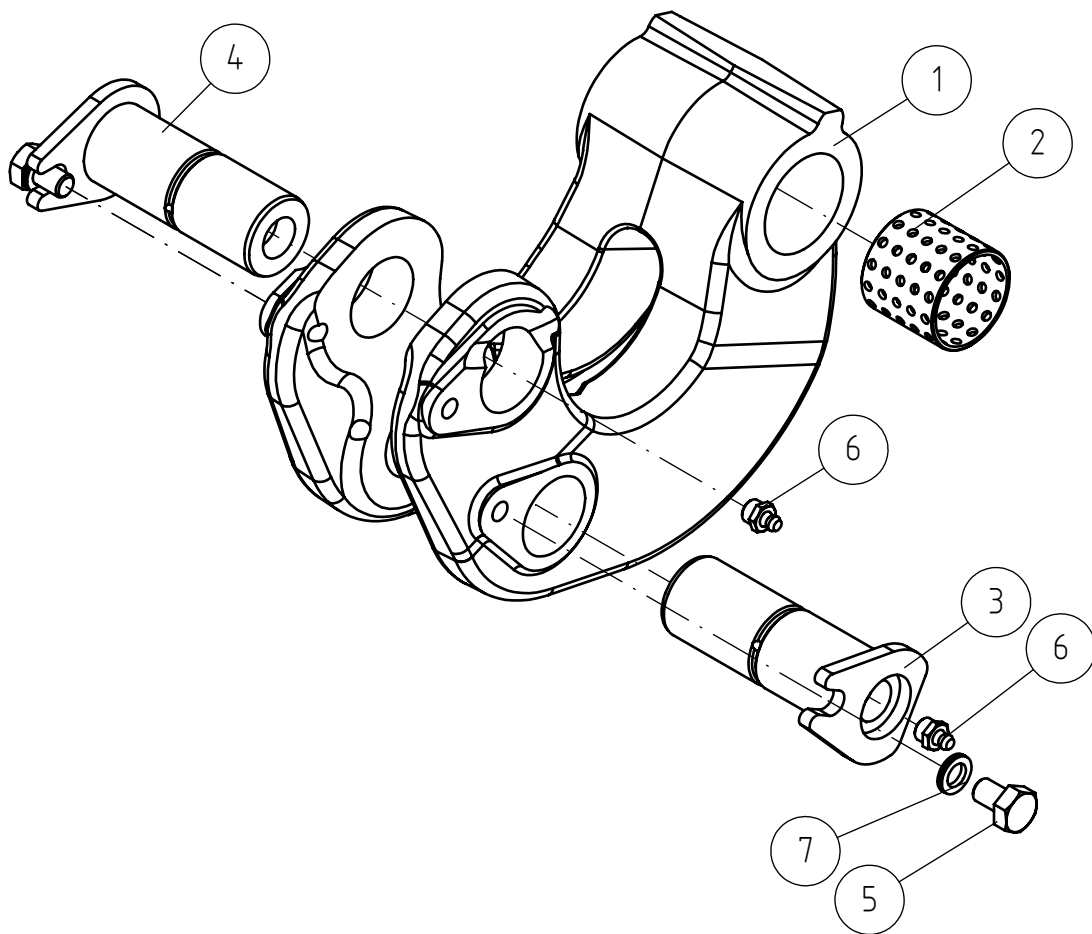
2.2.2024

**A461598 INNER BOOM ASSEMBLY**

REF	PART NO	QTY	DESCRIPTION	NOTES	PAGE
1	A33605	1	INNER BOOM		-
2	A436687	1	LINKAGE PIECE "BOOMERANG" CAST STEEL		16
3	A411429	2	SPACER S=6		-
4	64913	2	SLIDE BEARING BRM-80 F39/F35-50		-
5	A48343	2	ROLLER, BOOM		-
6	A47922	2	ROLLER, BOOM		-
7	A47941	2	SLIDE PLATE		-
8	A47921	1	HYDR. CYLINDER F90/F40-216		-
8.1	65005	1	SEAL KIT, CYLINDER 90/40 A47920 A47921		-
8.2	64911	1	ARTICUL. BEARING GE40ES F62/40-28(22)		-
9	A47032	1	HYDR. CYLINDER F50/F32-600		-
9.1	65004	1	SEAL KIT 50/32 CYLINDER A47032		-
9.2	64273	1	ARTICUL. BEARING GE30ESF47/30-22(18)		-
9.3	64823	1	SLIDE BEARING BRM-80 F34/F30-30		-
10	A47002	1	LINKAGE ROD, SELF LEVELING		-
11	A48489	1	PIVOT PIN F30		-
12	A47692	1	PIVOT PIN F30-66		-
13	64324	3	REDUCER FITTING RI 3/8"-EDX 1/4"		-
14	64087	3	ELBOW FITTING 90 DEGR. /4#		-
15	65252	1	MULTI CONNECTOR, ON LOADER		18
16	A410804	1	MOUNTING BRACKET, MULTI CONNECTOR LOADER		-
17	64058	3	BASIC FITTING F40XS12-1/2		-
18	A413816	1	SERVICE SUPPORT, LIFT CYLINDER		-
19	72324	2	HEXAGONAL NUT M 12 NYLOC DIN 985		-
20	74766	1	HEXAGONAL SCREW M8*140		-
21	A48492	2	WASHER M8X40		-
22	72320	5	HEXAGONAL NUT M8 NYLOC DIN 985		-
23	71691	2	WASHER M12 A13 DIN 125		-
24	74531	7	SPACER NORDLOCK M10, PAIR		-
25	74505	2	HEXAGONAL SCREW M10*35 DIN 933 ZN		-
26	64188	2	FINGER SCREW R5026M8S		-
27	72139	1	HEXAGONAL SCREW M 8*60 DIN 931		-
28	73122	4	WASHER M8 A8,4 DIN 125 ZN		-
29	71884	4	HEXAGONAL HEAD SCREW M 8*25 DIN 912 2		-
30	A436576	1	ATTACHMENT COUPLING PLATE CAST STEEL		20
31	A436614	1	LOCKING PIN ASSEMBLY ATTACHM COUPL PLATE		22
32	A430655	1	RELEASE PLATE		-
33	A432890	1	RELEASE PLATE RIGHT		-
34	72147	5	HEXAGONAL SCREW M 10*16 DIN 933		-
35	A47042	2	PIVOT PIN F40-147		-
36	64044	1	ELBOW FITTING 90° C40XS10-3/8 /8		-

2.2.2024

# A436687 LINKAGE PIECE "BOOMERANG" CAST STEEL





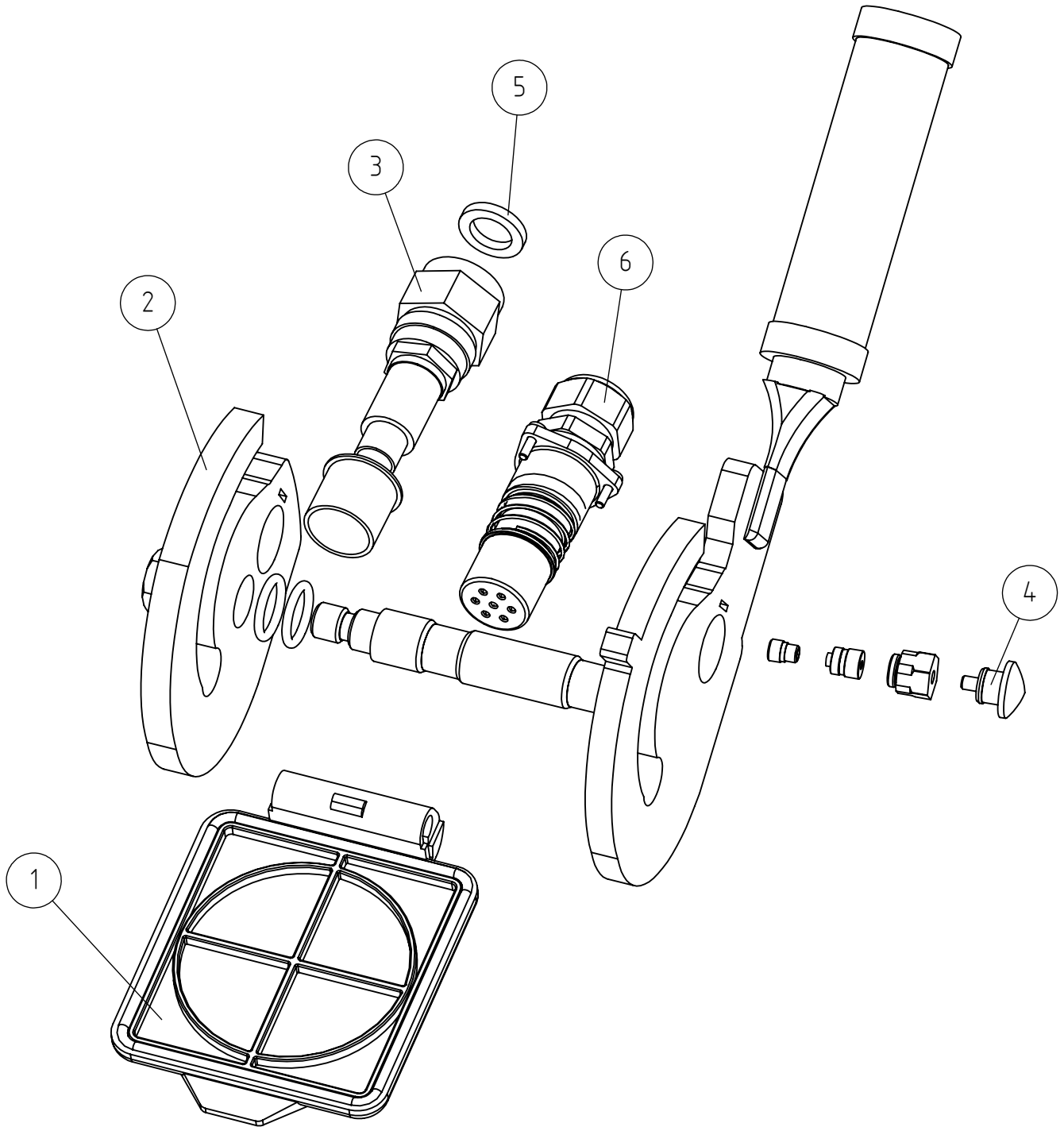
2.2.2024

**A436687 LINKAGE PIECE "BOOMERANG" CAST STEEL**

REF	PART NO	QTY	DESCRIPTION	NOTES	PAGE
1	A435456	1	LINKAGE PIECE "BOOMERANG" CAST STEEL ADI		-
2	64912	2	SLIDE BEARING BRM-80 TF44/F40-40		-
3	A430579	1	PIVOT PIN 35-103		-
4	A430582	1	PIVOT PIN 35-92		-
5	72147	2	HEXAGONAL SCREW M 10*16 DIN 933		-
6	72798	2	GREASE NIPPLE R 1/8" STRAIGHT		-
7	74531	2	SPACER NORDLOCK M10, PAIR		-

2.2.2024

# 65252 MULTI CONNECTOR, ON LOADER



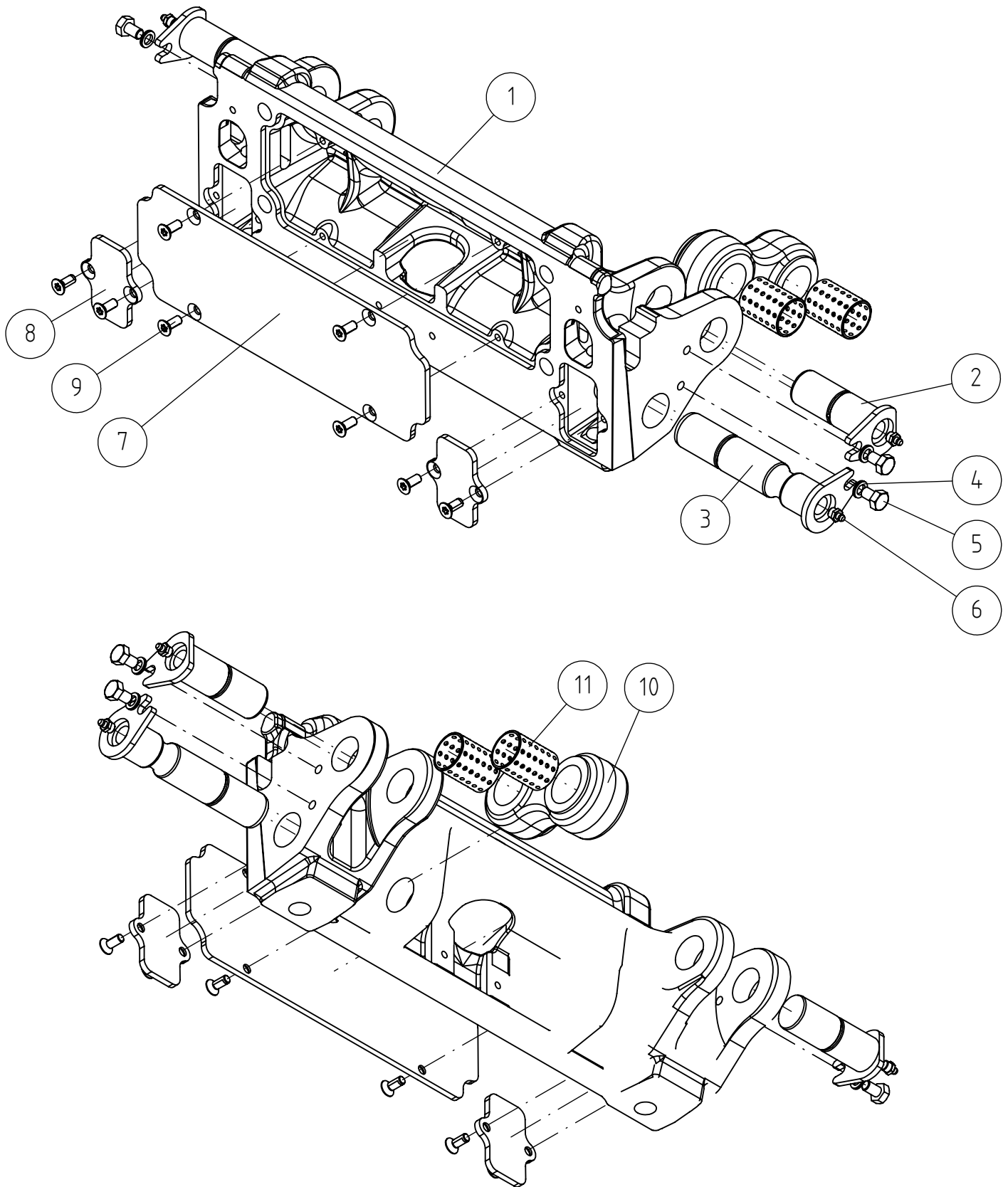
2.2.2024

## 65252 MULTI CONNECTOR, ON LOADER

REF	PART NO	QTY	DESCRIPTION	NOTES	PAGE
1	65882	1	CAP PLATE, KIT, MULTI CONNECTOR		-
2	65884	1	HANDLE, KIT, MULTI CONNECTOR ON LOADER		-
3	65881	1	QUICK COUPLER, ON MULTI CONNECTOR		-
4	65883	1	SAFETY BUTTON, KIT, MULTI CONNECTOR		-
5	65880	1	SEAL RING, MULTI CONNECTOR SK MF 12		-
6	75035	1	ELECTRIC CONNECTOR FEMININE, FASTER		-

2.2.2024

# A436576 ATTACHMENT COUPLING PLATE CAST STEEL



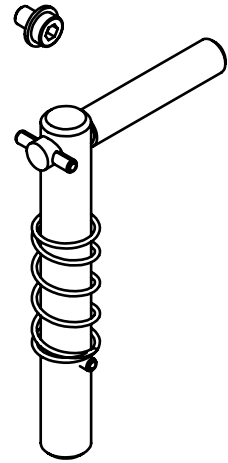
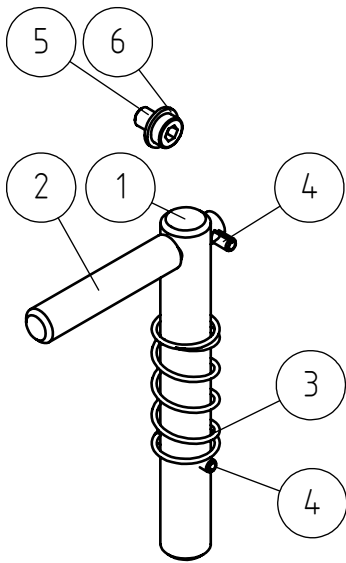
2.2.2024

**A436576 ATTACHMENT COUPLING PLATE CAST STEEL**

REF	PART NO	QTY	DESCRIPTION	NOTES	PAGE
1	A21749	1	ATTACHMENT COUPLING PLATE CAST STEEL		-
2	A412814	2	PIVOT PIN F35-98		-
3	A427469	1	PIVOT PIN 35-175		-
4	74531	3	SPACER NORDLOCK M10, PAIR		-
5	72147	3	HEXAGONAL SCREW M 10*16 DIN 933		-
6	72798	3	GREASE NIPPLE R 1/8" STRAIGHT		-
7	A427458	1	COVERING PLATE 378X127 ATTACHM COUPL PLA		-
8	A427464	2	COVERING PLATE 87X47 ATTACHM COUPL PLATE		-
9	A441215	8	THREAD-FORMING SCREW M8*20 ISO 14581		-
10	A430010	1	LINKAGE PIECE 500/600 SERIES		-
11	64913	2	SLIDE BEARING BRM-80 F39/F35-50		-

2.2.2024

# A436614 LOCKING PIN ASSEMBLY ATTACHM COUPL PLATE



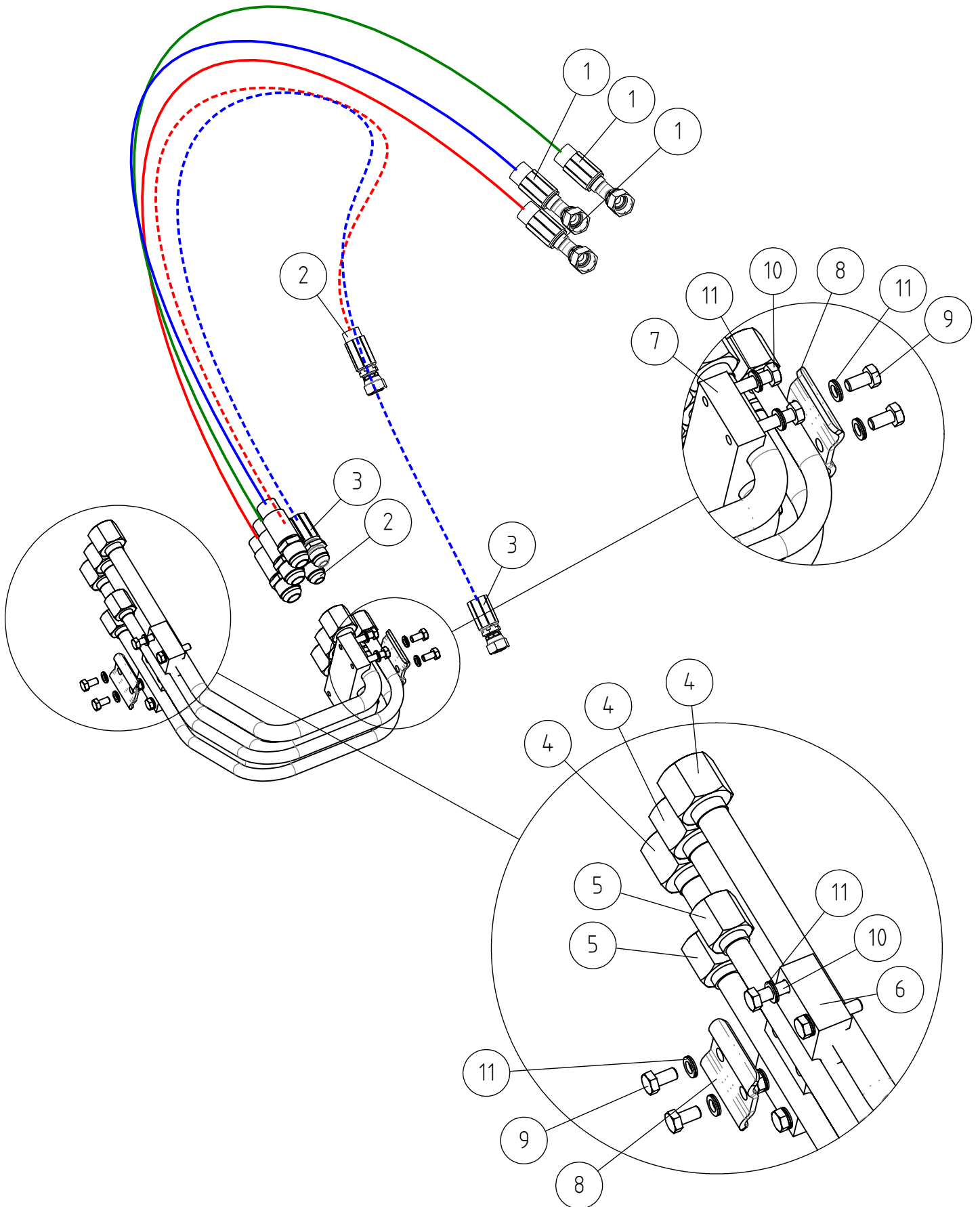
2.2.2024

**A436614 LOCKING PIN ASSEMBLY ATTACHM COUPL PLATE**

REF	PART NO	QTY	DESCRIPTION	NOTES	PAGE
1	A47687	2	LOCKING PIN F20		-
2	A47688	2	LATCH PIN		-
3	64138	2	COMPRESSION SPRIG DIN 2098 2*25*135		-
4	73661	4	SPRING PIN 5*30 DIN 1481		-
5	74932	2	HEXAGONAL HEAD SCREW M8*12		-
6	73122	2	WASHER M8 A8,4 DIN 125 ZN		-

2.2.2024

# A461514 HYDRAULIC TUBES AND HOSES TELESCOPIC



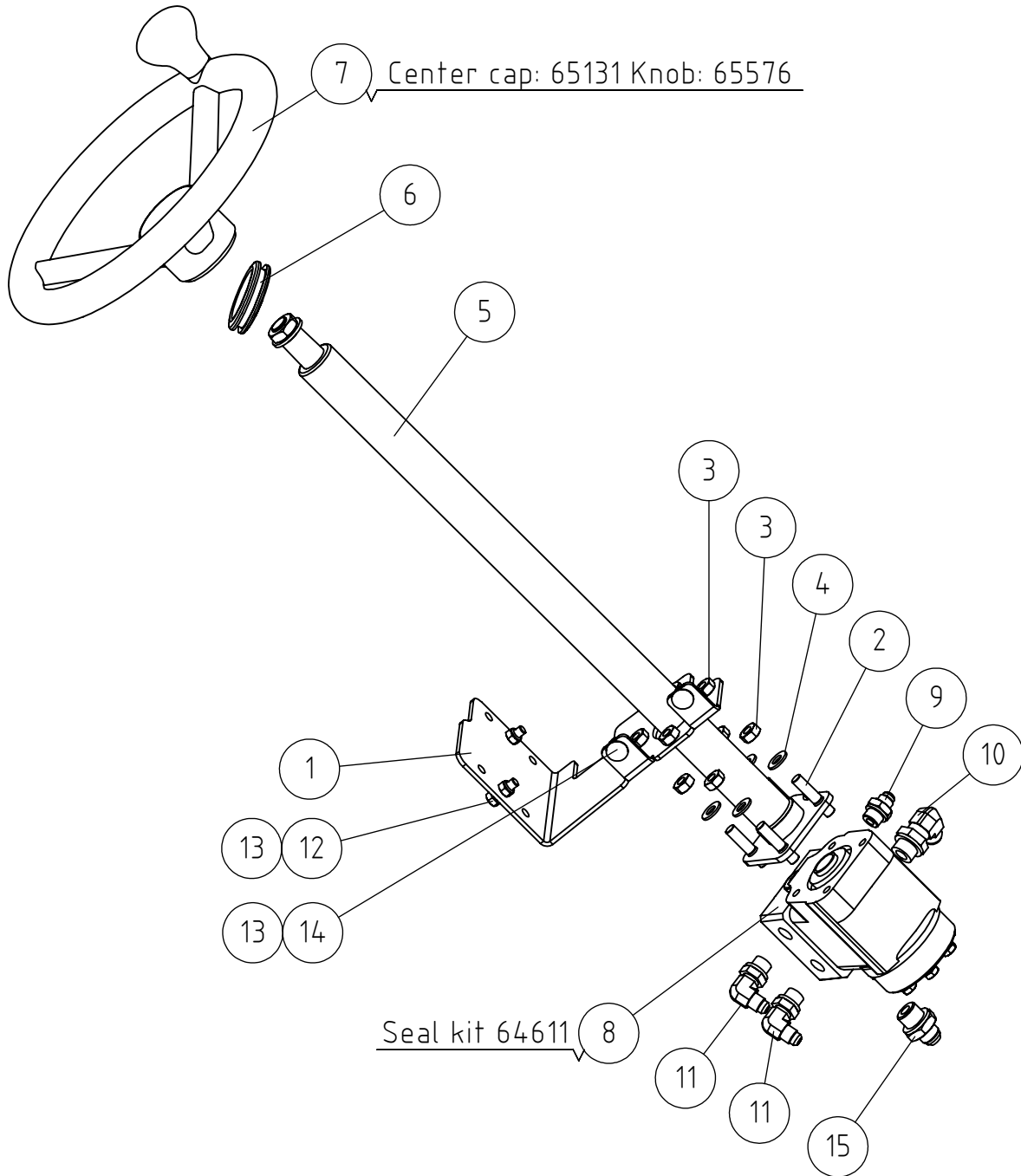


2.2.2024

**A461514 HYDRAULIC TUBES AND HOSES TELESCOPIC**

REF	PART NO	QTY	DESCRIPTION	NOTES	PAGE
1	A414911	3	HYDR. HOSE L=1150 2LW-08		-
2	A414912	1	HYDR. HOSE L=1250 2LW-06		-
3	A414913	1	HYDR. HOSE L=1550 2LW-06		-
4	A47559	3	HYDRAULIC PIPE F16		-
5	A47560	2	HYDRAULIC PIPE F12		-
6	A47562	1	BRACKET, HYDR.PIPE F16/F12		-
7	A47561	1	BRACKET, HYDR. PIPE F16		-
8	A47563	2	BRACKET, HYDR.PIPE F12		-
9	72116	4	HEXAGONAL SCREW M 6*12 DIN 933 ZN		-
10	73199	8	HEXAGONAL SCREW M6*30 DIN 933		-
11	74530	12	WASHER NORDLOCK NL6		-

# A452574 STEERING COLUMN ASSEMBLY

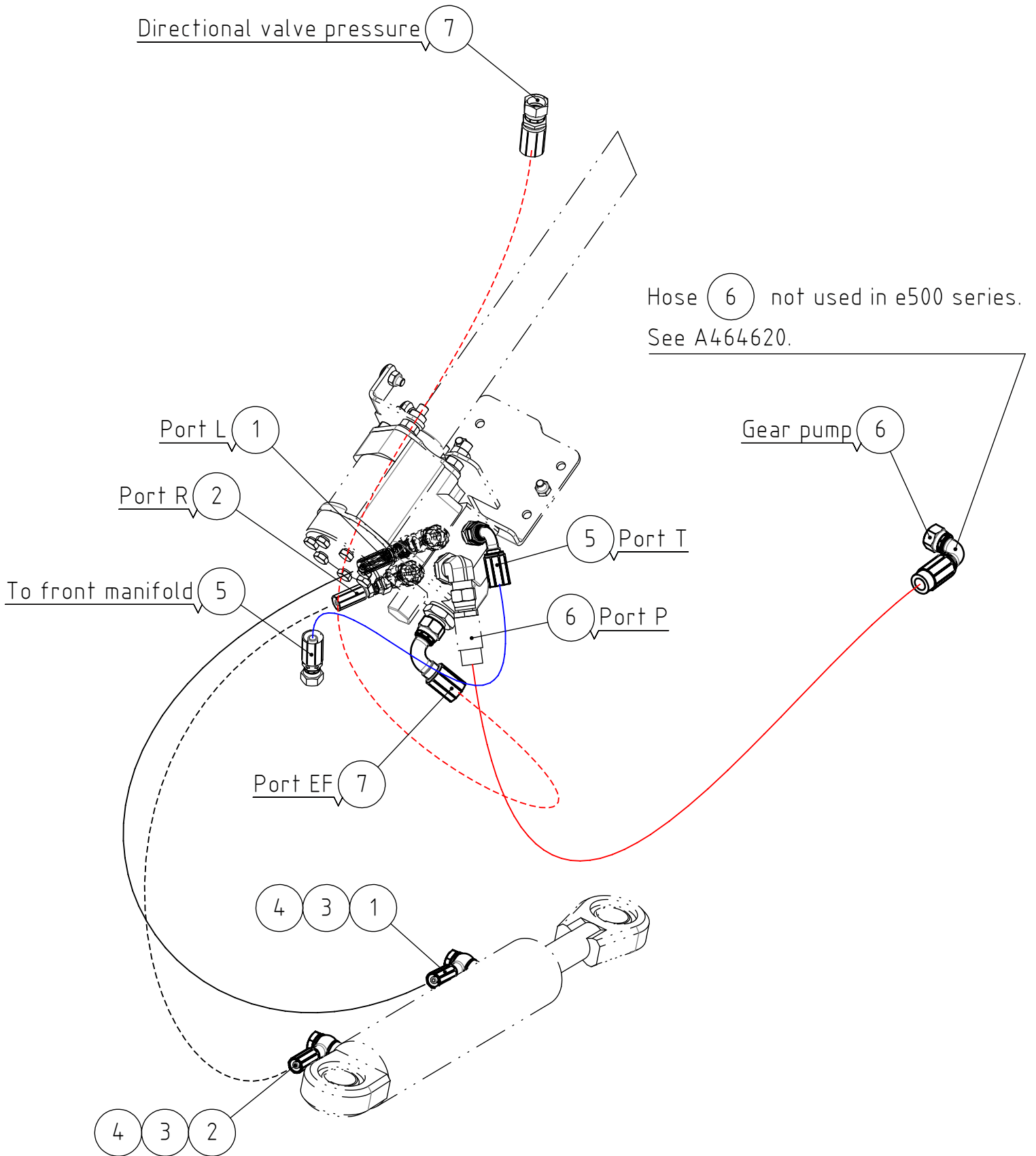


2.2.2024

**A452574 STEERING COLUMN ASSEMBLY**

REF	PART NO	QTY	DESCRIPTION	NOTES	PAGE
1	A446052	1	BRACKET ORBITROL 500-700 SERIES		-
2	74587	4	STUD M10* 35 DIN 939		-
3	72321	8	HEXAGONAL NUT M10 DIN 934		-
4	73121	4	WASHER M10 A10,5 DIN 125 ZN		-
5	66233	1	STEERING WHEEL ROD M+S KK650 -I		-
6	A428827	1	RUBBER BUSHING STEERING COLUMN		-
7	65076	1	STEERING WHEEL "AVANT" F320		-
7.1	65131	1	CENTER CAP, STEERING WHEEL		-
7.2	65576	1	KNOB, STEERING WHEEL, COBO 0034.1130		-
8	64178	1	CONTROL BLOCK M+S HKUS 80/5-140+PRDD80/7		-
8.1	A430819	1	HEXAGONAL HEAD SCREW M10*1*45 ORBITROL		-
8.2	64611	1	SEAL KIT 41 5137 0130 M+S HKUS ORBITROL		-
8.3	64612	1	SEAL KIT, PRIORITY VALVE / ORBITROL M+S		-
9	64041	1	BASIC FITTING F40XS10-3/8 /8		-
10	64045	1	ELBOW FITTING 90° C40XS12-1/2 /2		-
11	64044	2	ELBOW FITTING 90° C40XS10-3/8 /8		-
12	72132	2	HEXAGONAL SCREW M 8*25 DIN 933 ZN		-
13	72320	4	HEXAGONAL NUT M8 NYLOC DIN 985		-
14	74836	2	CARRIAGE BOLT M8*20		-
15	64058	1	BASIC FITTING F40XS12-1/2		-

# A449399 HYDR. HOSES ORBITROL



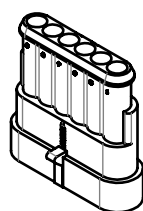
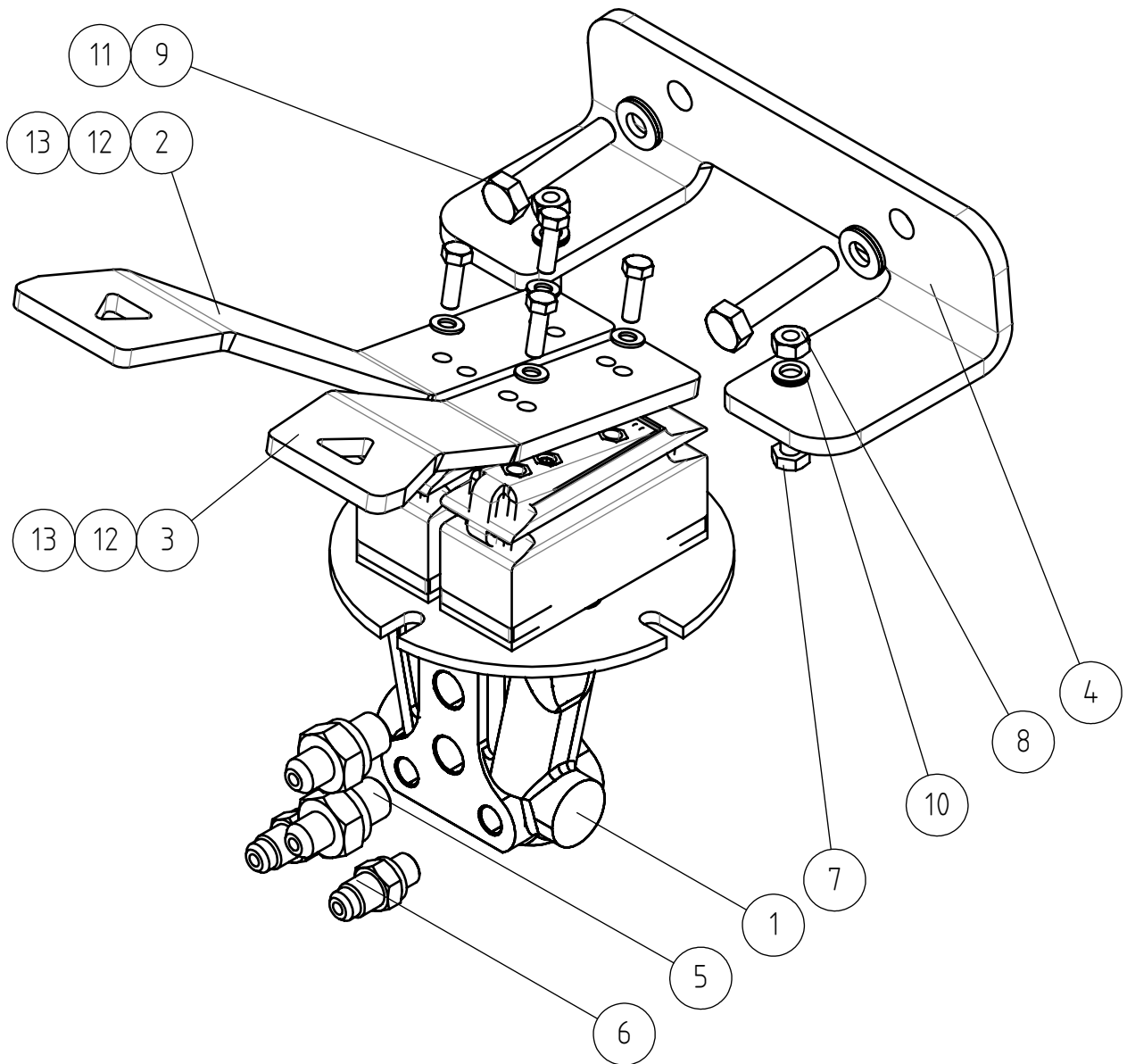
2.2.2024

**A449399 HYDR. HOSES ORBITROL**

REF	PART NO	QTY	DESCRIPTION	NOTES	PAGE
1	A462712	1	HYDR. HOSE L=1100		-
2	A462714	1	HYDR. HOSE L=850		-
3	64557	2	BANJO BOLT R 1/4"		-
4	73757	4	USIT COMPRESSION R1/4"		-
5	A434556	1	HYDR. HOSE L=500		-
6	A47633	1	HYDR. HOSE L=1110 2LW-08 JIC12-JIC12 90		-
7	A434549	1	HYDR. HOSE L=1450		-

2.2.2024

# A440870 DRIVE PEDAL ASSEMBLY 700 SERIES

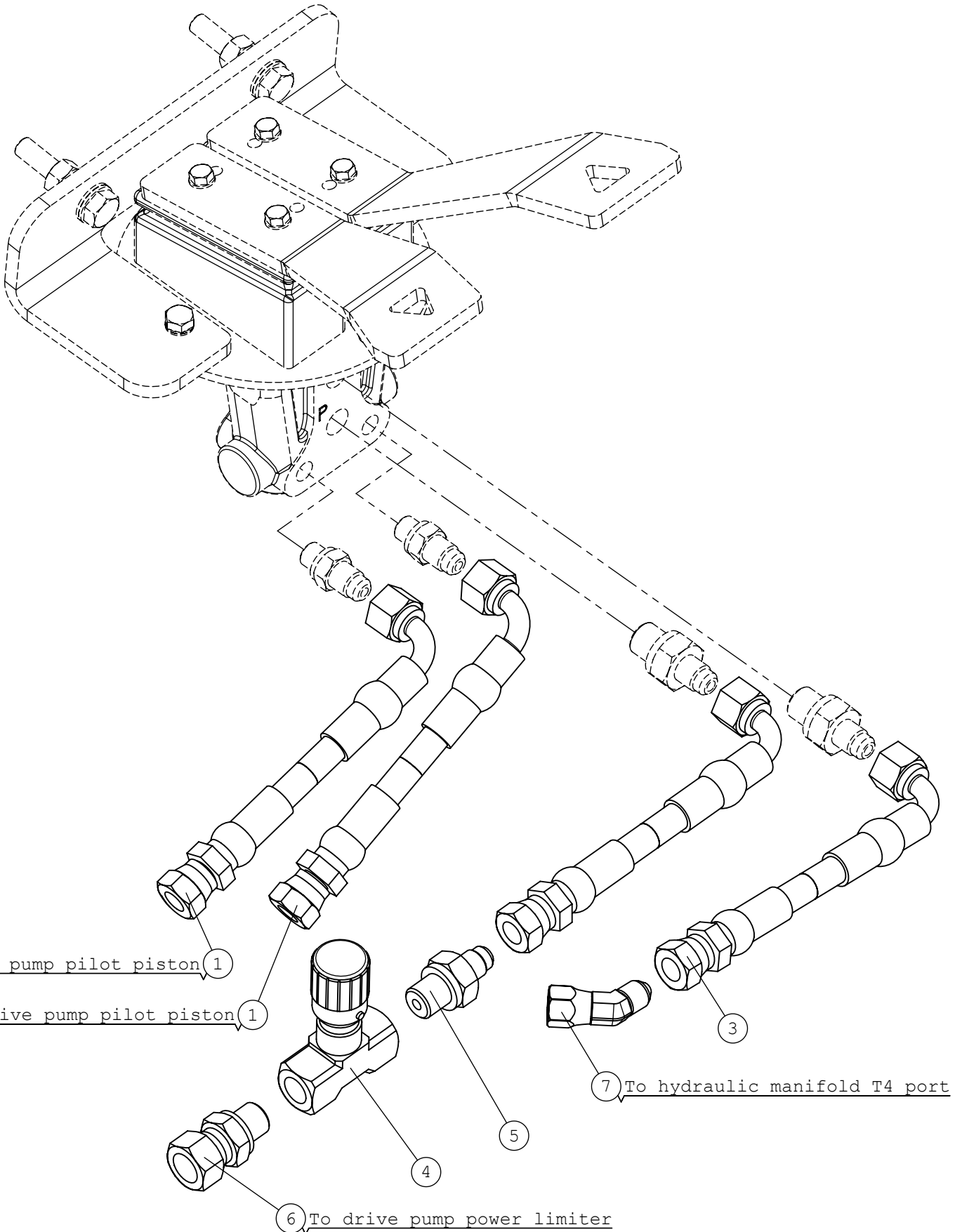


2.2.2024

**A440870 DRIVE PEDAL ASSEMBLY 700 SERIES**

REF	PART NO	QTY	DESCRIPTION	NOTES	PAGE
1	A432973	1	HYDRAULIC PEDALS 2-16BAR MICROSWITCH 5A		-
1.1	A451022	2	PROTECTIVE RUBBER DRIVE PEDALS		-
1.2	A445449	2	MICROSWITCH 5A WITH WIRE		-
2	A47550	1	DRIVE PEDAL, LEFT		-
3	A47551	1	DRIVE PEDAL, RIGHT		-
4	A47247	1	BRACKET, DRIVE PEDAL		-
5	64678	2	BASIC FITTING F40XS6-1/4"		-
6	64793	2	BASIC FITTING F40XS6-1/8"		-
7	72118	2	HEXAGONAL SCREW M6*20 DIN 933		-
8	72317	2	HEXAGONAL NUT M6 DIN 934		-
9	73222	2	HEXAGONAL SCREW M8*40 DIN 933		-
10	74530	2	WASHER NORDLOCK NL6		-
11	63944	2	WASHER, PAIR, NORD-LOCK M8		-
12	72110	4	HEX. SCREW M5*16 DIN 933		-
13	74448	4	WASHER M5 A5,3 DIN 125 ZN		-

# A422190 HYDR. HOSES DRIVE PEDAL 700 SERIES



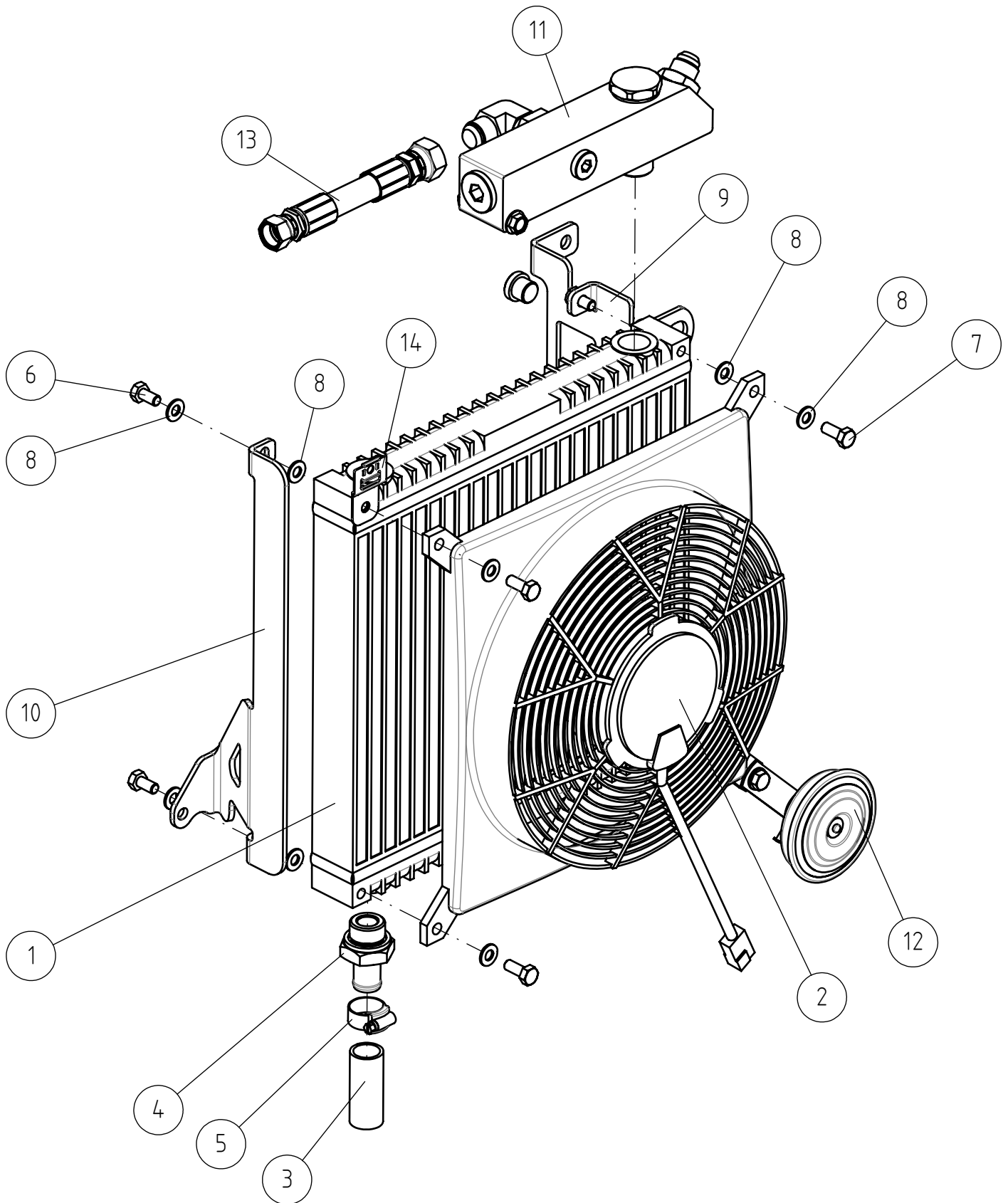


2.2.2024

**A422190 HYDR. HOSES DRIVE PEDAL 700 SERIES**

REF	PART NO	QTY	DESCRIPTION	NOTES	PAGE
1	A422164	2	HYDR. HOSE L=1240		-
2	A410274	1	HYDR. HOSE L=1120		-
3	A47643	1	HYDR. HOSE L=430 TYPE 087-3/16" JIC6-		-
4	63879	1	CHECK VALVE 9N400S R1/4"-R1/4"	66475 used instead of 63879	-
5	64678	1	BASIC FITTING F40XS6-1/4"		-
6	64060	1	CONNECTOR NIPPLE F64XS10-1/4		-
7	65587	1	ELBOW FITTING 45° UNF 7/16" JIC		-

# A458427 HYDRAULIC OIL COOLER ASSEMBLY

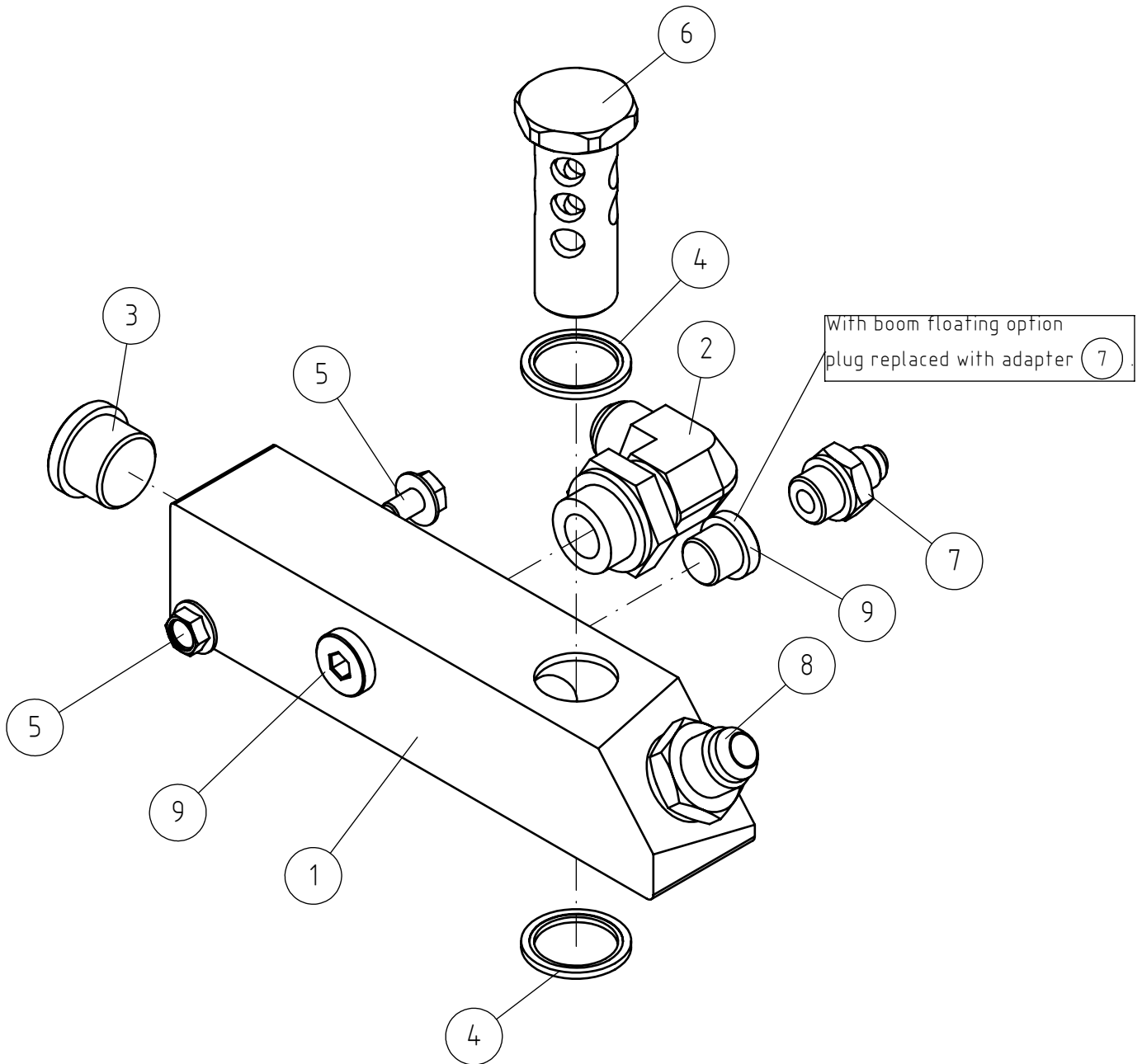


2.2.2024

**A458427 HYDRAULIC OIL COOLER ASSEMBLY**

REF	PART NO	QTY	DESCRIPTION	NOTES	PAGE
1	64934	1	OIL COOLER CELL ASA 350*350*45		-
2	65568	1	FAN, HYDRAULIC OIL COOLER COMEX F48-		-
3	A49182	1	INLET HOSE D=20 L=550		-
4	66427	1	HOSE BARB R3/4"UK - 20MM		-
5	73530	1	HOSE CLAMP 22-32 MM		-
6	73039	4	HEXAGONAL SCREW M 8*16 DIN 933 ZN		-
7	72130	4	HEXAGONAL SCREW M8*20		-
8	73122	13	WASHER M8 A8,4 DIN 125 ZN		-
9	A446011	1	BRACKET, UPPER, HYDR. OIL COOLER		-
10	A446012	1	BRACKET, LOWER, HYDR. OIL COOLER		-
11	A458426	1	HYDRAULIC MANIFOLD ASSEMBLY TANK LINE		36
12	64157	1	SIGNAL HORN COMPLETE		-
13	A457140	1	HYDR. HOSE L=650		-
14	A451560	1	BRACKET CONNECTOR PLUG		-

# A458426 HYDRAULIC MANIFOLD ASSEMBLY TANK LINE

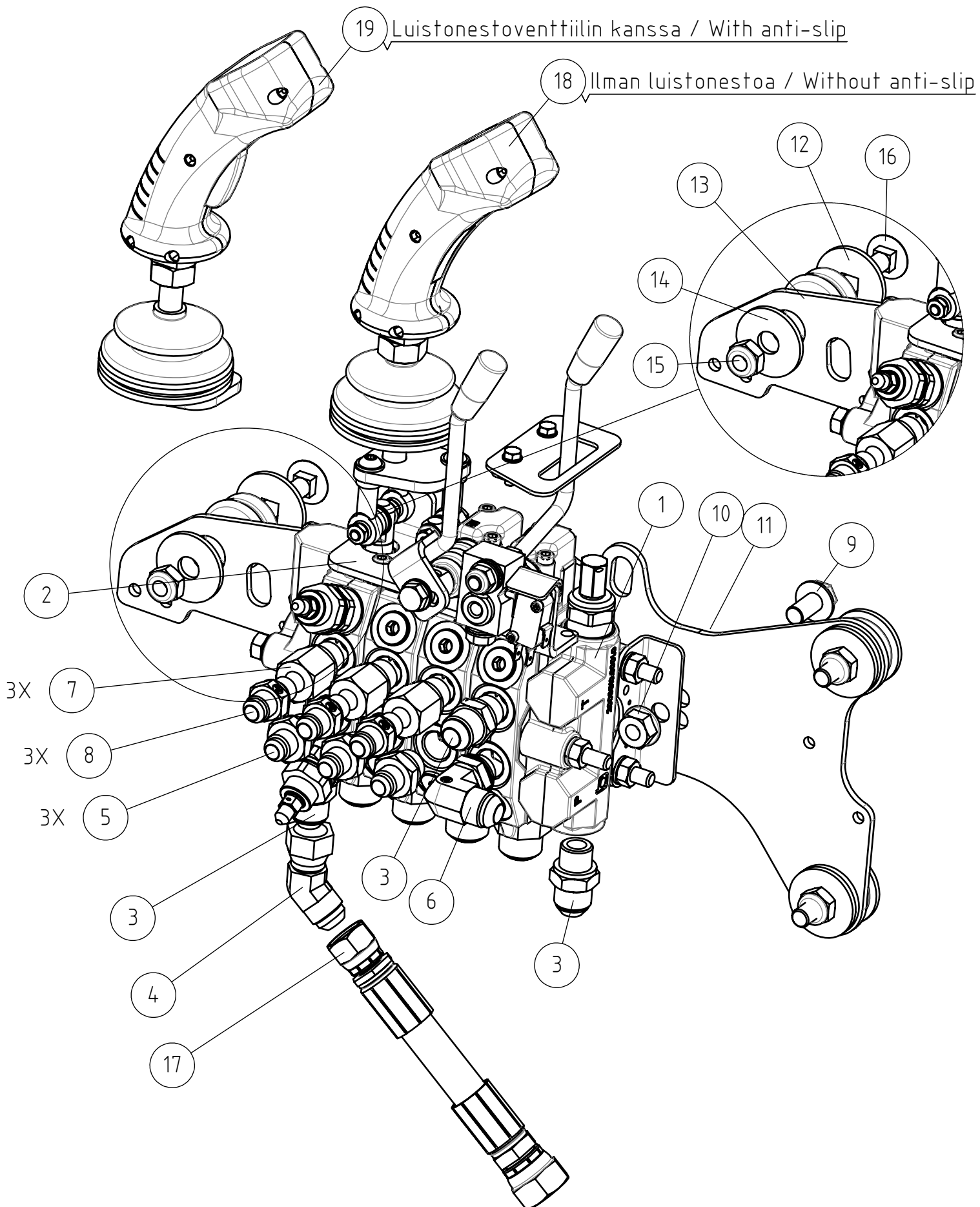


2.2.2024

**A458426 HYDRAULIC MANIFOLD ASSEMBLY TANK LINE**

REF	PART NO	QTY	DESCRIPTION	NOTES	PAGE
1	A449626	1	HYDRAULIC MANIFOLD TANK LINE		-
2	64693	1	ELBOW FITTING 90 DEGR. C40XS16-3/4"		-
3	73768	1	HEXAGONAL PLUG HF-3/4" WITH SEAL		-
4	74976	2	SEAL USIT R3/4" F35,3*F27,0*2,0		-
5	A429197	2	HEXAGONAL SERRATED SCREW M8*12 W. FLANGE		-
6	A449633	1	BANJO BOLT R3/4" TANK LINE		-
7	64041	1	BASIC FITTING F40XS10-3/8 /8		-
8	65060	1	BASIC FITTING F40XS16-1/2		-
9	74411	2	HEXAGONAL PLUG HF 3/8" HTUNG		-

# A460843 CONTROL VALVE HDS11 ASSEMBLY MANUAL



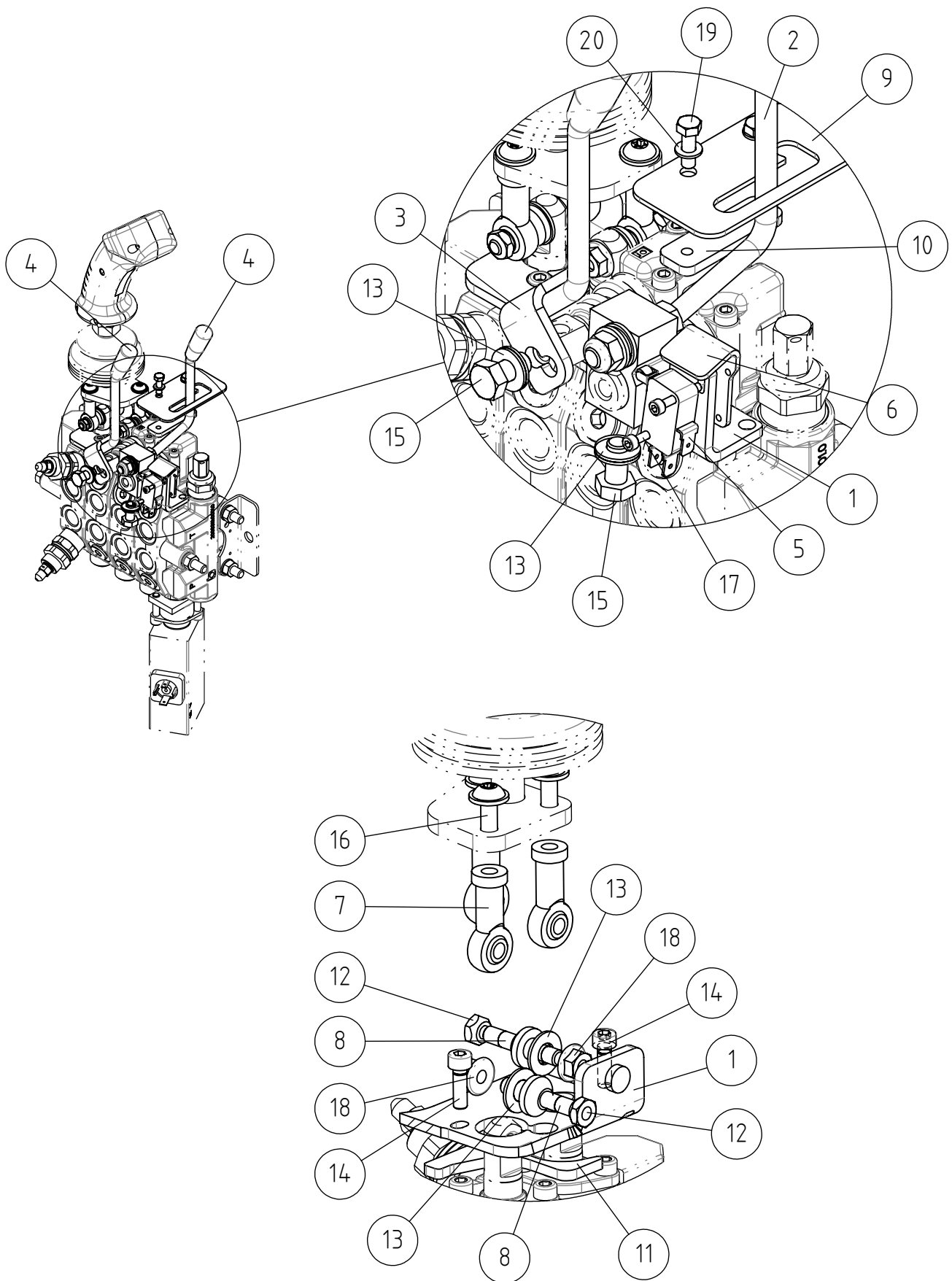
2.2.2024

## A460843 CONTROL VALVE HDS11 ASSEMBLY MANUAL

REF	PART NO	QTY	DESCRIPTION	NOTES	PAGE
1	A453635	1	CONTROL VALVE HDS 11/4 MANUAL		-
2	A460740	1	CONTROL LEVERS & JOINTS HDS11 ASSEMBLY		40
3	64042	3	BASIC FITTING F40XS12-3/8 /8		-
4	64884	1	ELBOW FITTING 45 DEGR. V6SX12		-
5	64041	3	BASIC FITTING F40XS10-3/8 /8		-
6	64068	1	ELBOW FITTING 90 DEGR. C40XS12-3/8 /8		-
7	64324	3	REDUCER FITTING RI 3/8"-EDX 1/4"		-
8	64059	3	BASIC FITTING F40XS10-1/4		-
9	A432196	2	HEXAGONAL SERRATED SCREW M10*20 W. FLANG		-
10	74783	2	HEXAGONAL NUT M10 WITH FLANGE		-
11	A457134	1	MOUNTING PLATE CONTROL VALVE HDS11		-
12	A431029	3	SPACER 3MM		-
13	A431033	3	VIBRATION DAMPER SCBR 45SH		-
14	A431034	3	WASHER Ø38/12,5, S=3 SCBR 38		-
15	72322	3	HEXAGONAL NUT M 10 NYLOC DIN 985		-
16	A437458	3	CARRIAGE BOLT M10*50 DIN603		-
17	A457140	1	HYDR. HOSE L=650		-
18	A460791	1	JOYSTICK MANUAL ASSEMBLY		42
19	A424267	1	JOYSTICK STANDARD WITH ANTI SLIP SWITCH		-

2.2.2024

# A460740 CONTROL LEVERS & JOINTS HDS11 ASSEMBLY



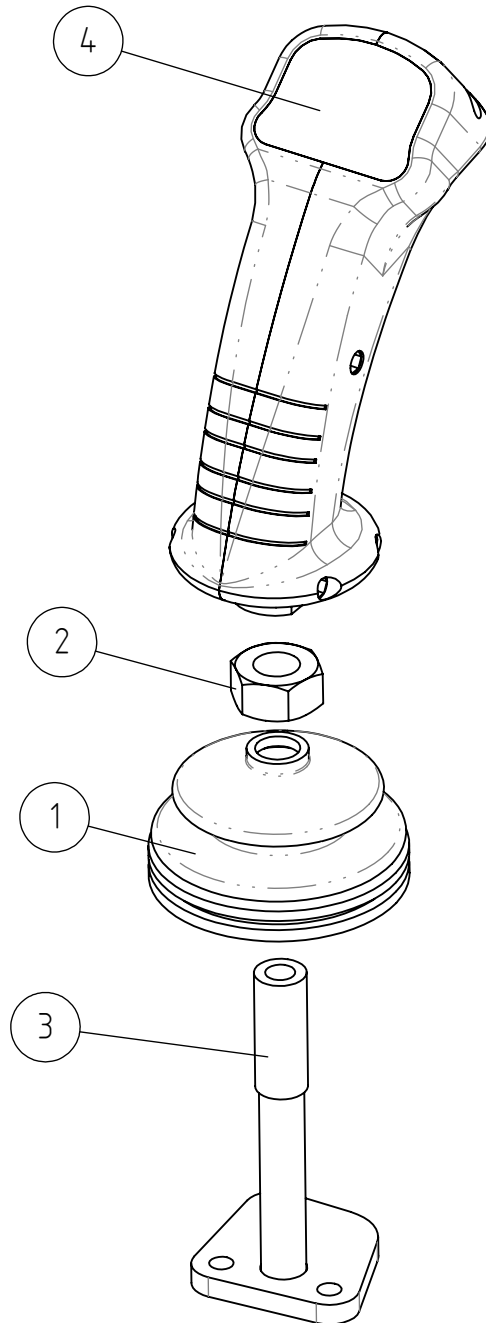


2.2.2024

**A460740 CONTROL LEVERS & JOINTS HDS11 ASSEMBLY**

REF	PART NO	QTY	DESCRIPTION	NOTES	PAGE
1	A460443	1	BRACKET 400-500 SERIES		-
2	A458893	1	CONTROL LEVER ASSEMBLY EXTRA FRONT HYDR.		-
3	A457107	1	CONTROL LEVER TELEBOOM		-
4	74761	2	KNOB, CONTROL LEVER		-
5	64504	1	MICROSWITCH		-
6	A449831	1	TIGHTENING PLATE MICROSWITCH		-
7	65501	3	ROD END JAF 6		-
8	A41821	2	PIN, CONTROL LEVERS		-
9	A441528	1	LOCKING PLATE CONTROL LEVER AUXILIARY		-
10	A48360	1	LOCKING PIECE		-
11	A462106	1	SUPPORT PLATE CONTROL LEVERS		-
12	A41822	2	LEVERAGE NUT M 6		-
13	63944	3	WASHER, PAIR, NORD-LOCK M8		-
14	74472	2	HEXAGONAL HEAD SCREW M 5*16 DIN 912 ZN		-
15	73039	2	HEXAGONAL SCREW M 8*16 DIN 933 ZN		-
16	A442149	3	THREAD-FORMING SCREW M6*16 BN219-8.8		-
17	A435740	2	HEXAGONAL HEAD SCREW M3*20 DIN 912		-
18	A452923	2	HEXAGONAL NUT M6 DIN 6923		-
19	72110	2	HEX. SCREW M5*16 DIN 933		-
20	74448	2	WASHER M5 A5,3 DIN 125 ZN		-

# A460791 JOYSTICK MANUAL ASSEMBLY



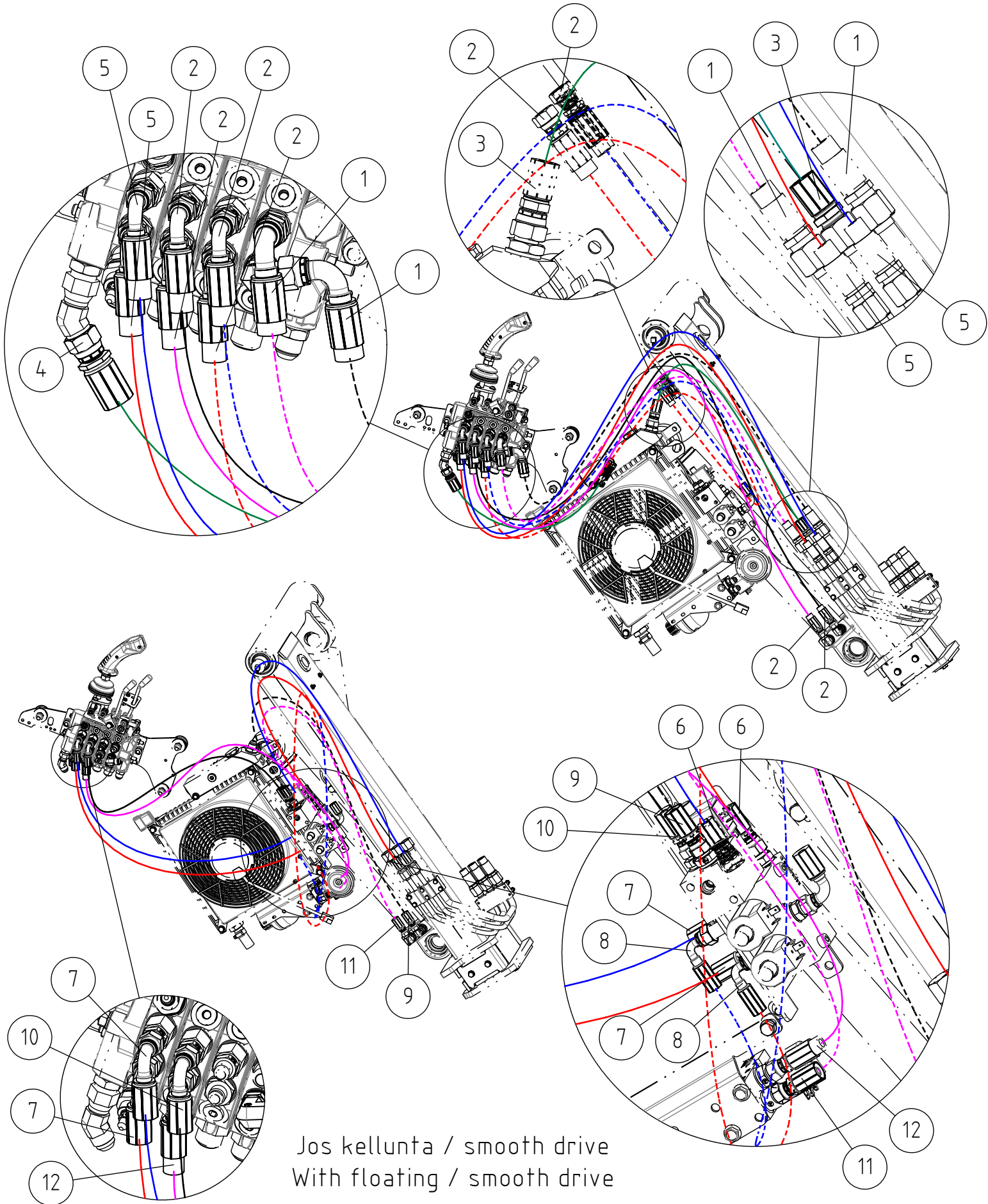
2.2.2024

**A460791 JOYSTICK MANUAL ASSEMBLY**

REF	PART NO	QTY	DESCRIPTION	NOTES	PAGE
1	74327	1	RUBBER COVER, CONTROL LEVER, F12/56*40		-
2	74676	1	HEXAGONAL NUT M 14*1,5 DIN 934 ZN		-
3	A410614	1	BRACKET ROD, CONTROL LEVER		-
4	A410556	1	JOYSTICK HANDLE HB000		-

2.2.2024

# A461285 HYDRAULIC HOSES CONTROL VALVE - BOOM



Jos kellunta / smooth drive  
With floating / smooth drive

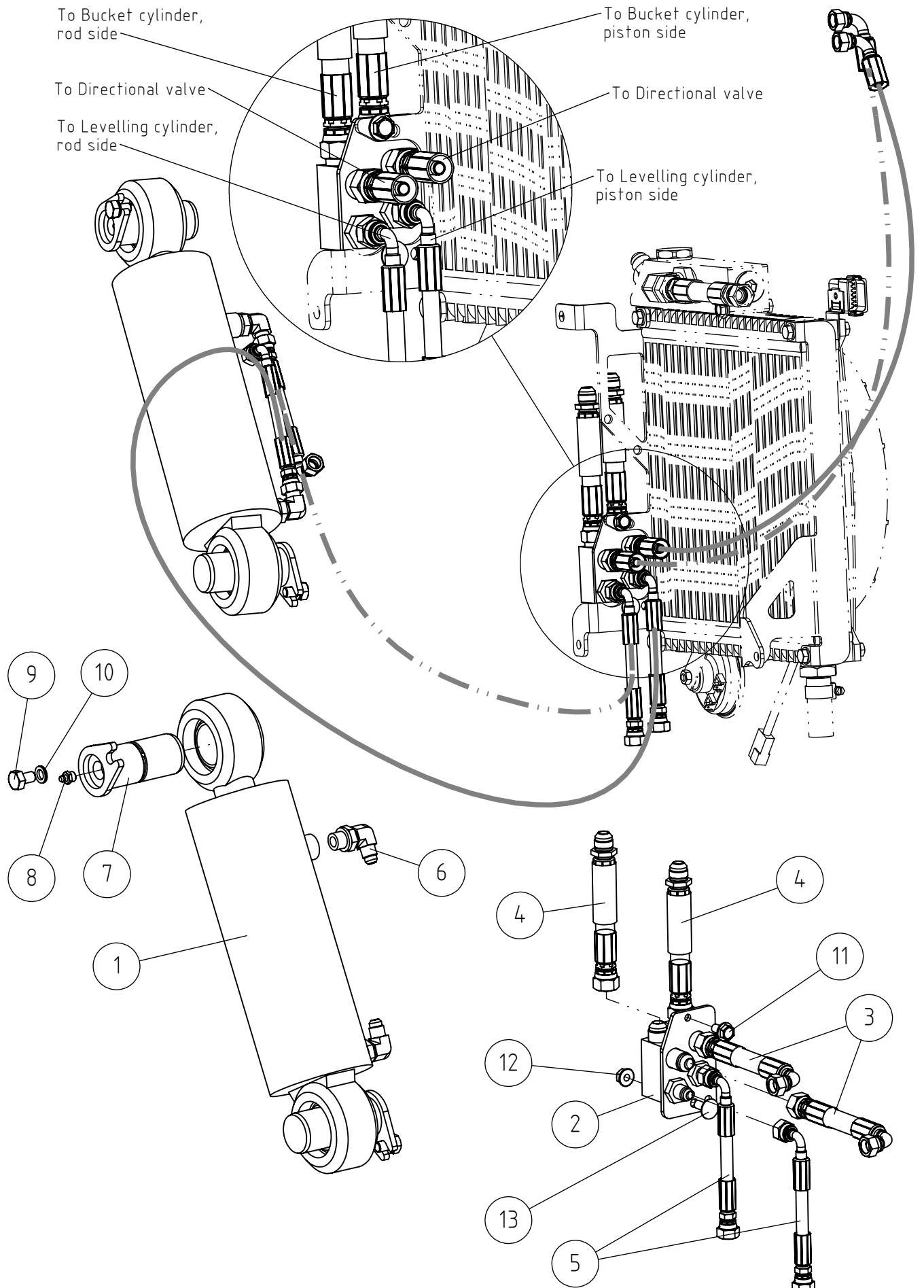
2.2.2024

**A461285 HYDRAULIC HOSES CONTROL VALVE - BOOM**

REF	PART NO	QTY	DESCRIPTION	NOTES	PAGE
1	A414729	2	HYDR. HOSE L=1700		-
2	A47635	4	HYDR. HOSE L=1720 2LW-06		-
3	A446841	1	HYDR. HOSE L=820		-
4	A457140	1	HYDR. HOSE L=650		-
5	A47638	2	HYDR. HOSE L=1610 2LW-06		-
6	A456237	2	HYDR. HOSE L=1150		-
7	A456235	2	HYDR. HOSE L=930		-
8	A436991	2	HYDR. HOSE L=1350		-
9	A450402	1	HYDR. HOSE L=1270		-
10	A445095	1	HYDR. HOSE L=880		-
11	A446813	1	HYDR. HOSE L=1650		-
12	A414045	1	HYDR. HOSE L=1300		-

2.2.2024

# A455807 BOOM SELF LEVELLING, 500 & E SERIES



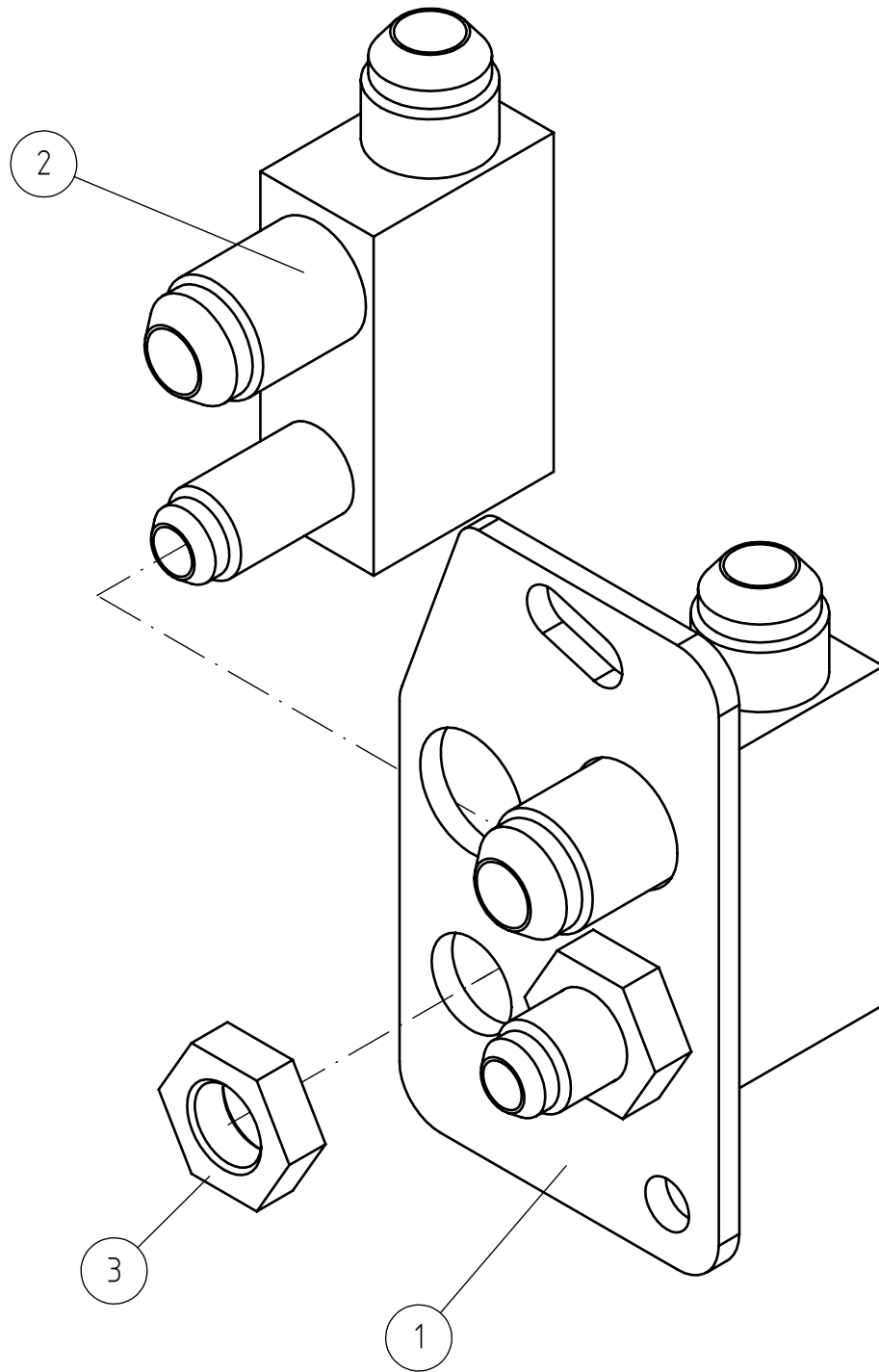
2.2.2024

**A455807 BOOM SELF LEVELLING, 500 & E SERIES**

REF	PART NO	QTY	DESCRIPTION	NOTES	PAGE
1	A47920	1	HYDR. CYLINDER F90/F40-142		-
1.1	65005	1	SEAL KIT, CYLINDER 90/40 A47920 A47921		-
1.2	64911	2	ARTICUL. BEARING GE40ES F62/40-28(22)		-
2	A458483	1	DIVIDER WITH FITTINGS, HOSES, ASSEMBLY		48
3	A456235	2	HYDR. HOSE L=930		-
4	A456237	2	HYDR. HOSE L=1150		-
5	A436991	2	HYDR. HOSE L=1350		-
6	64044	2	ELBOW FITTING 90° C40XS10-3/8 /8		-
7	A47041	2	PIVON PIN F40-90		-
8	72798	2	GREASE NIPPLE R 1/8" STRAIGHT		-
9	72147	2	HEXAGONAL SCREW M 10*16 DIN 933		-
10	74531	2	SPACER NORDLOCK M10, PAIR		-
11	A429200	1	HEXAGONAL SERRATED SCREW M8*16 WITH		-
12	A450046	1	HEXAGONAL NUT M8 WITH FLANGE		-
13	74836	1	CARRIAGE BOLT M8*20		-

2.2.2024

# A458483 DIVIDER WITH FITTINGS, HOSES, ASSEMBLY



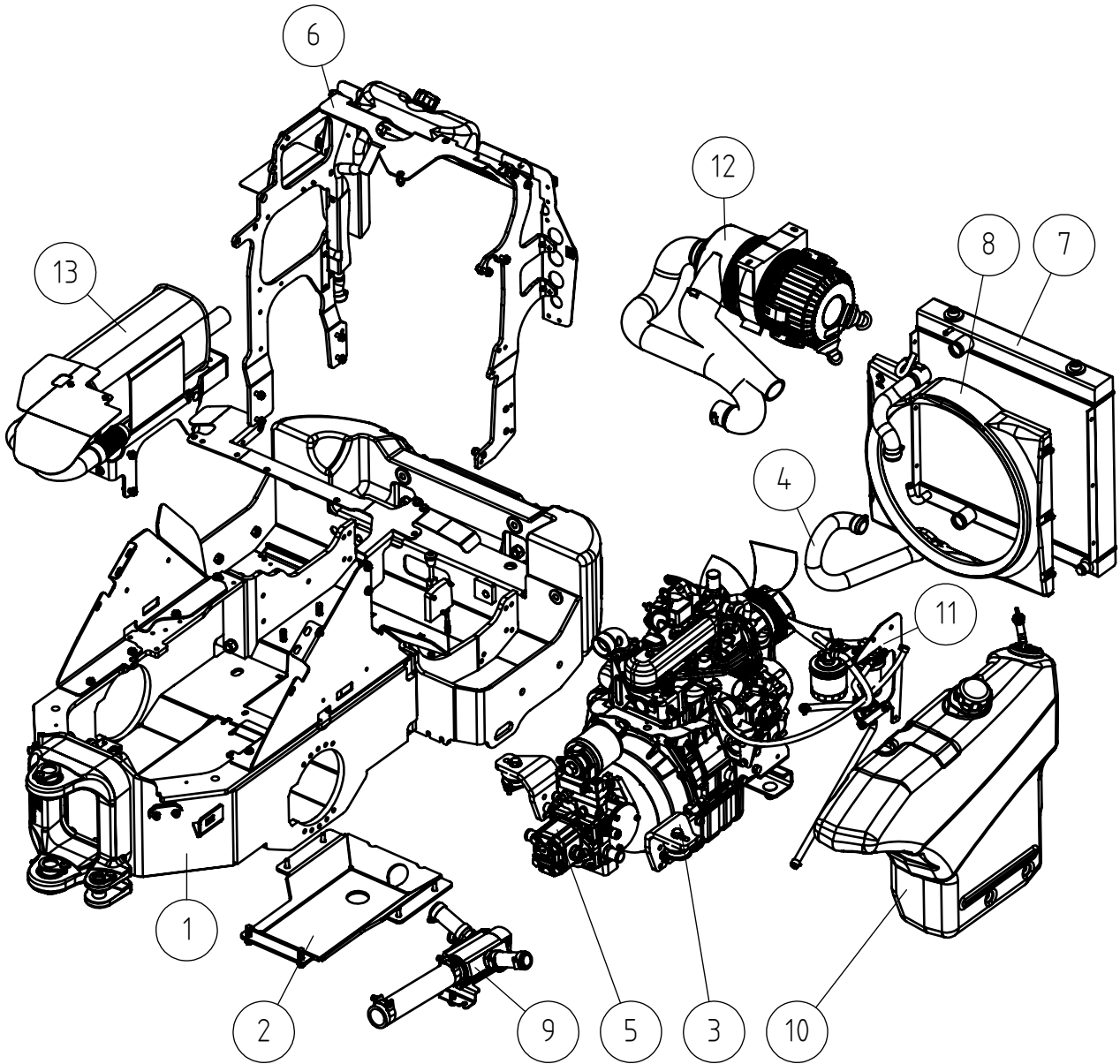


2.2.2024

**A458483 DIVIDER WITH FITTINGS, HOSES, ASSEMBLY**

REF	PART NO	QTY	DESCRIPTION	NOTES	PAGE
1	A458259	1	MOUNTING PLATE CONNECTORS		-
2	A458127	2	ADAPTOR FOR HOSES		-
3	A458399	2	COUNTER NUT UNF 9/16"-18		-

# A461499 REAR FRAME ASSEMBLY 528, 530 SER3



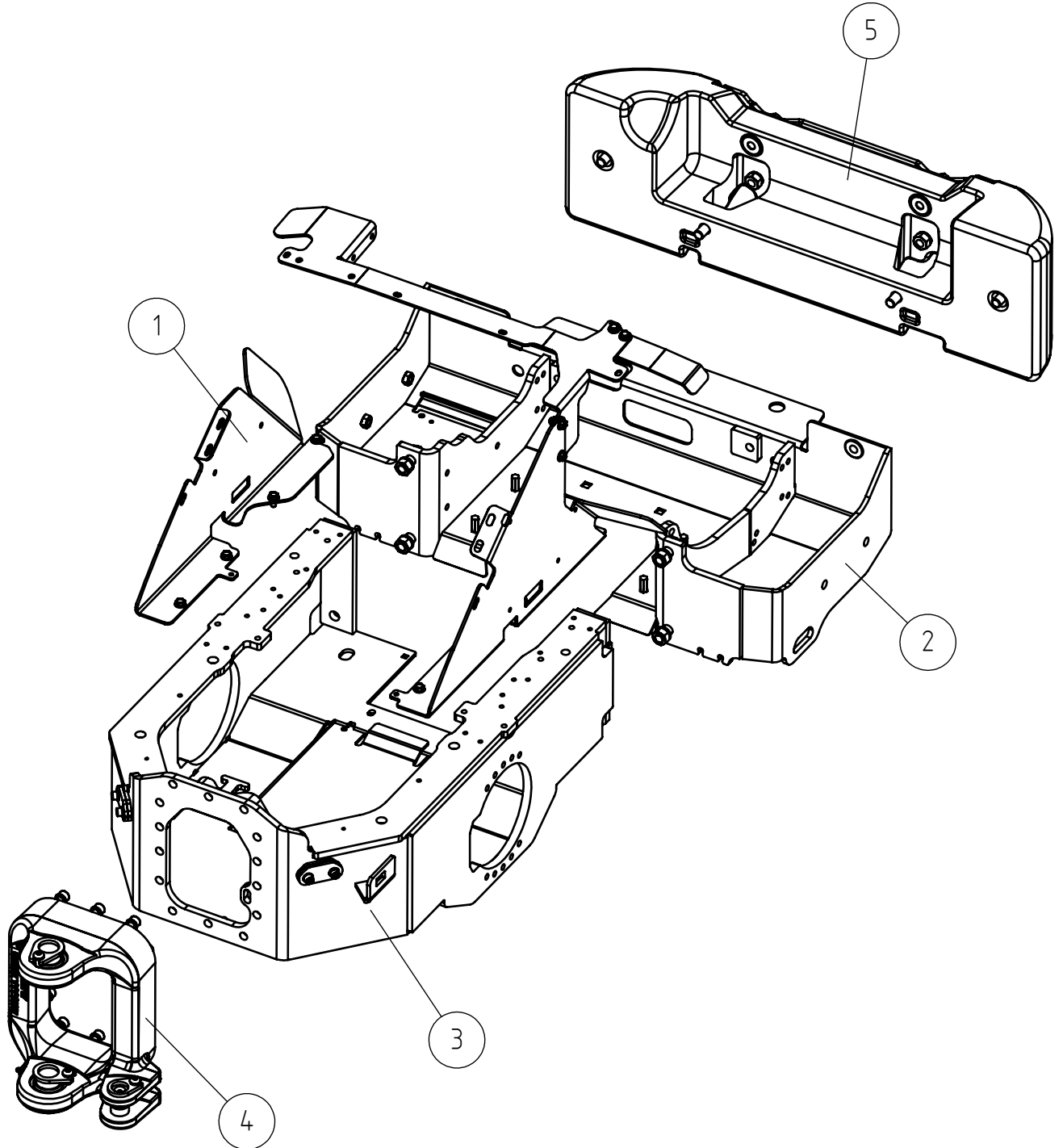
2.2.2024

**A461499 REAR FRAME ASSEMBLY 528, 530 SER3**

REF	PART NO	QTY	DESCRIPTION	NOTES	PAGE
1	A461493	1	REAR FRAME ASSEMBLY 500-600 SER3		52
2	A461339	1	BOTTOM PLATE ASSEMBLY		66
3	A460821	1	ENGINE ASSEMBLY KUBOTA D1105 528/530		68
4	A461421	1	RADIATOR HOSES ASSEMBLY		74
5	A37577	1	HYDRAULIC PUMPS ASSEMBLY		76
6	A460887	1	MOUNTING FRAME AIR FILTER SER3 ASSEMBLY		78
7	A460889	1	RADIATOR ASSEMBLY		80
8	A461143	1	WIND TUNNEL NO. 2 ASSEMBLY		82
9	A455499	1	HYDRAULIC MANIFOLD ASSEMBLY 528 / 530		84
10	A445726	1	FUEL TANK ASSEMBLY 645I/650I		86
11	A455396	1	FUEL FILTERS ASSEMBLY D1105 V1505		88
12	A461502	1	AIR FILTER ASSEMBLY 528/530 SER3		90
13	A460922	1	EXHAUST MUFFLER + PIPE ASSEMBLY 528/530		92

2.2.2024

# A461493 REAR FRAME ASSEMBLY 500-600 SER3



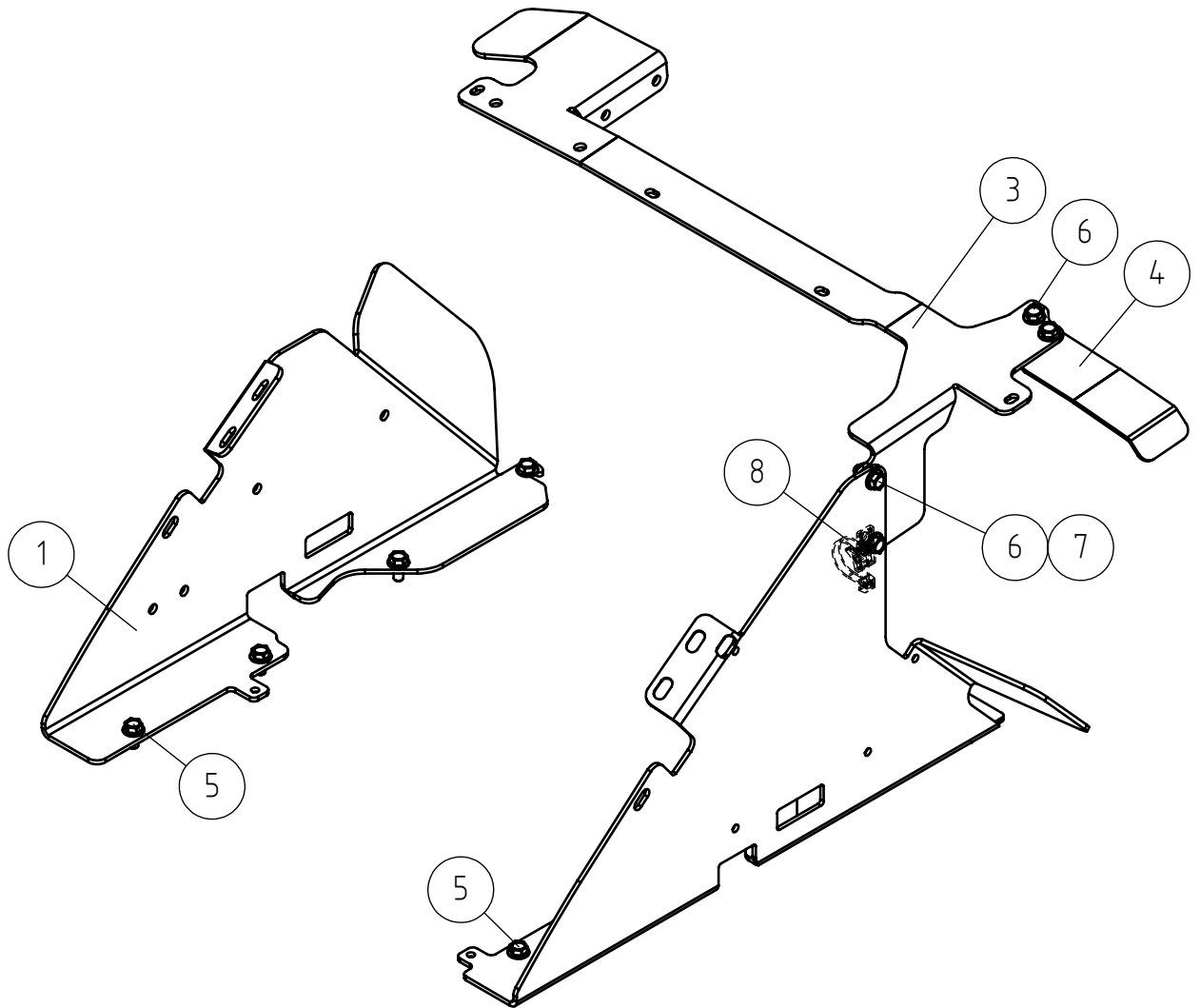
2.2.2024

**A461493 REAR FRAME ASSEMBLY 500-600 SER3**

REF	PART NO	QTY	DESCRIPTION	NOTES	PAGE
1	A461337	1	SIDE PLATES ASSEMBLY REAR FRAME		54
2	A461333	1	MIDDLE FRAME ASSEMBLY 528-650I		56
3	A461332	1	REAR FRAME FRONT PART ASSEMBLY 400-650I		58
4	A37449	1	ARTICULATION JOINT ASSEMBL REAR FRAME		60
5	A461316	1	REAR WEIGHT (BUMPER) 160KG ASSEMBLY		62

2.2.2024

# A461337 SIDE PLATES ASSEMBLY REAR FRAME



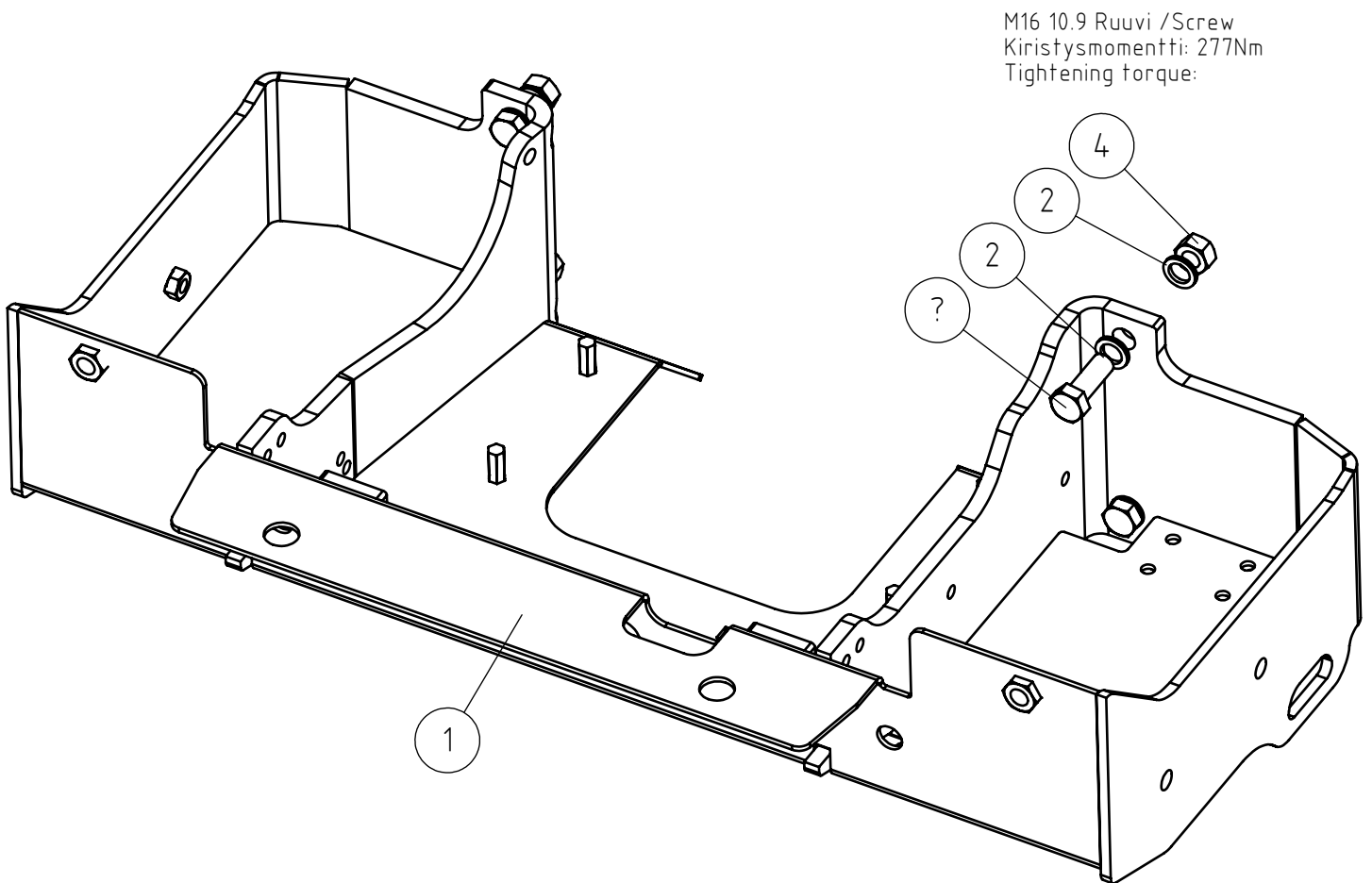
2.2.2024

**A461337 SIDE PLATES ASSEMBLY REAR FRAME**

REF	PART NO	QTY	DESCRIPTION	NOTES	PAGE
1	A445109	1	SIDE PLATE RIGHT REAR FRAME		-
2	A445435	1	SIDE PLATE LEFT REAR FRAME		-
3	A445634	1	BRACKET COVER PLATE REAR FRAME		-
4	A452483	1	BRACKET FUEL TANK		-
5	A429200	8	HEXAGONAL SERRATED SCREW M8*16 WITH		-
6	A429201	4	HEXAGONAL SERRATED SCREW M8*20 WITH		-
7	A450046	2	HEXAGONAL NUT M8 WITH FLANGE		-
8	A442641	1	CABLE TIE 7,6*390 M8 BLACK		-

2.2.2024

# A461333 MIDDLE FRAME ASSEMBLY 528-650I





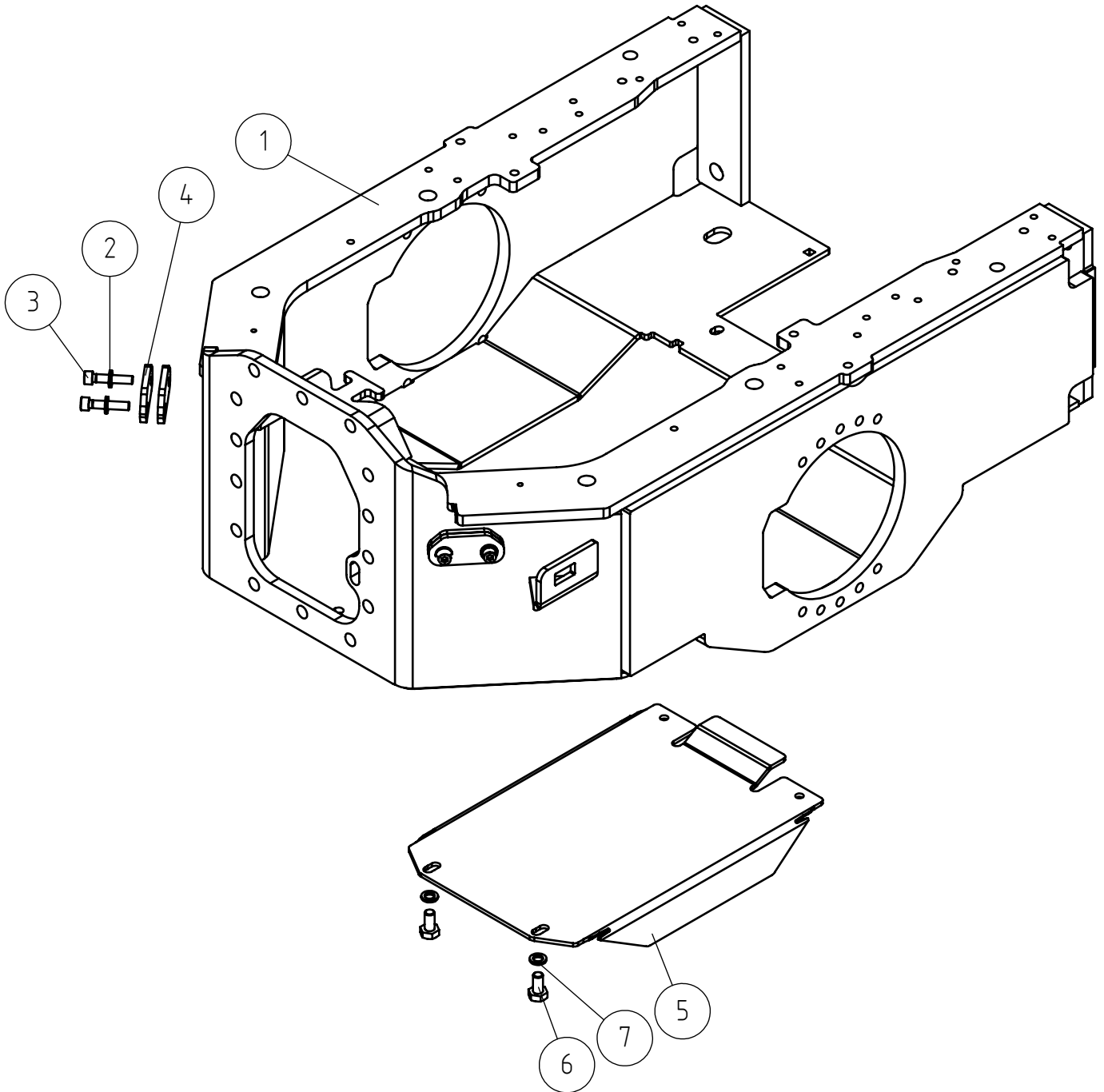
2.2.2024

**A461333 MIDDLE FRAME ASSEMBLY 528-650I**

REF	PART NO	QTY	DESCRIPTION	NOTES	PAGE
1	A443805	1	BACK FRAME REAR PART		-
2	74533	8	WASHER, PAIR, M16 NL16 NORDLOCK		-
3	A439220	4	HEXAGONAL SCREW M16*45 10.9 DIN 933		-
4	A439252	4	HEXAGONAL NUT M16 10.9 DIN 934		-

2.2.2024

# A461332 REAR FRAME FRONT PART ASSEMBLY 400-650I



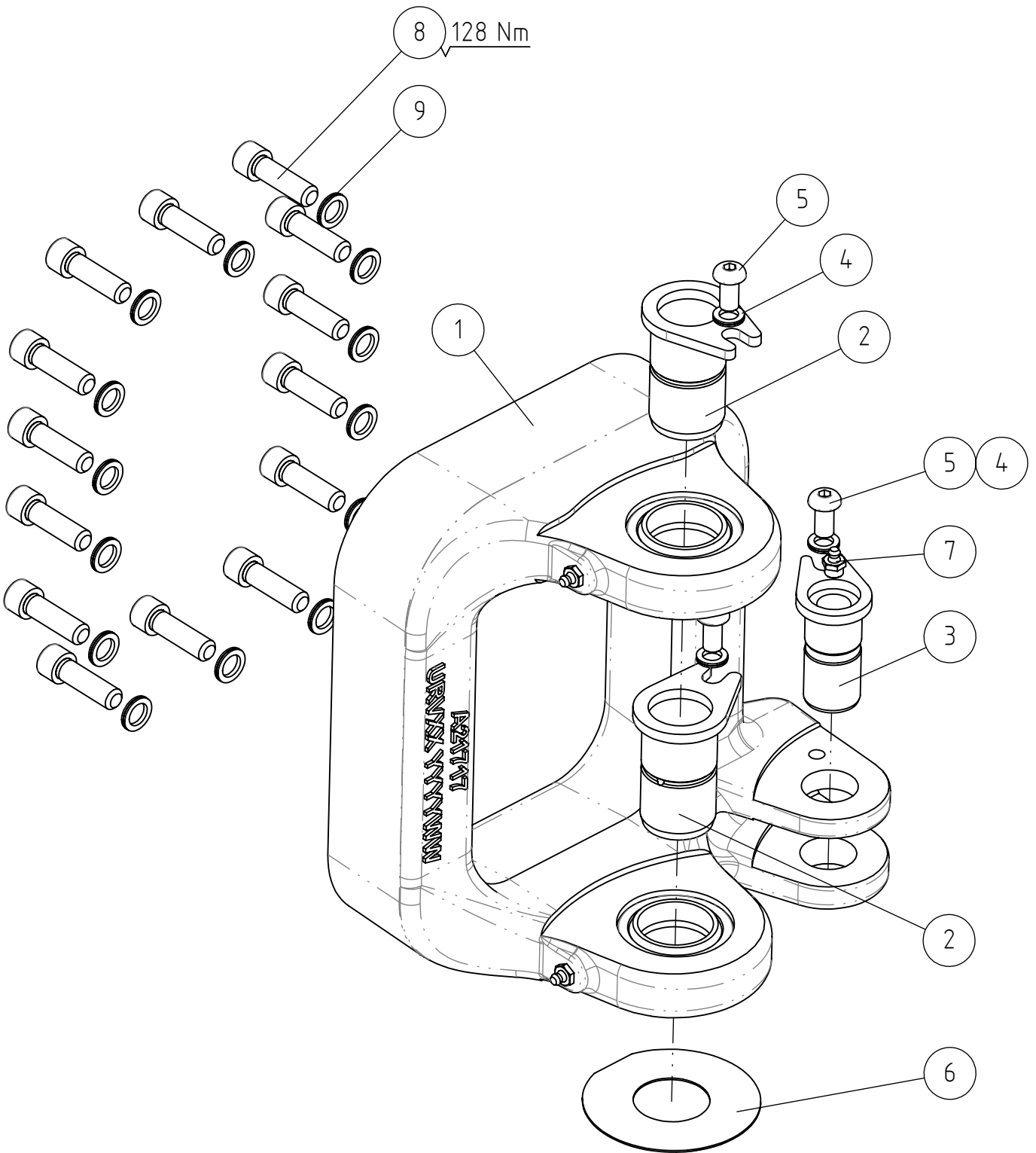
2.2.2024

**A461332 REAR FRAME FRONT PART ASSEMBLY 400-650I**

REF	PART NO	QTY	DESCRIPTION	NOTES	PAGE
1	A434401	1	REAR FRAME, FRONT PART ASSEMBLY		-
2	63944	4	WASHER, PAIR, NORD-LOCK M8		-
3	74918	4	HEXAGONAL HEAD SCREW M8*40 DIN 912		-
4	A442049	4	STOP PLATE STEERING		-
5	A446658	1	SERVICE HATCH 400-700 SERIES		-
6	73040	2	HEXAGONAL SCREW M10*20 DIN 933 ZN		-
7	74531	2	SPACER NORDLOCK M10, PAIR		-

2.2.2024

# A37449 ARTICULATION JOINT ASSEMBL REAR FRAME



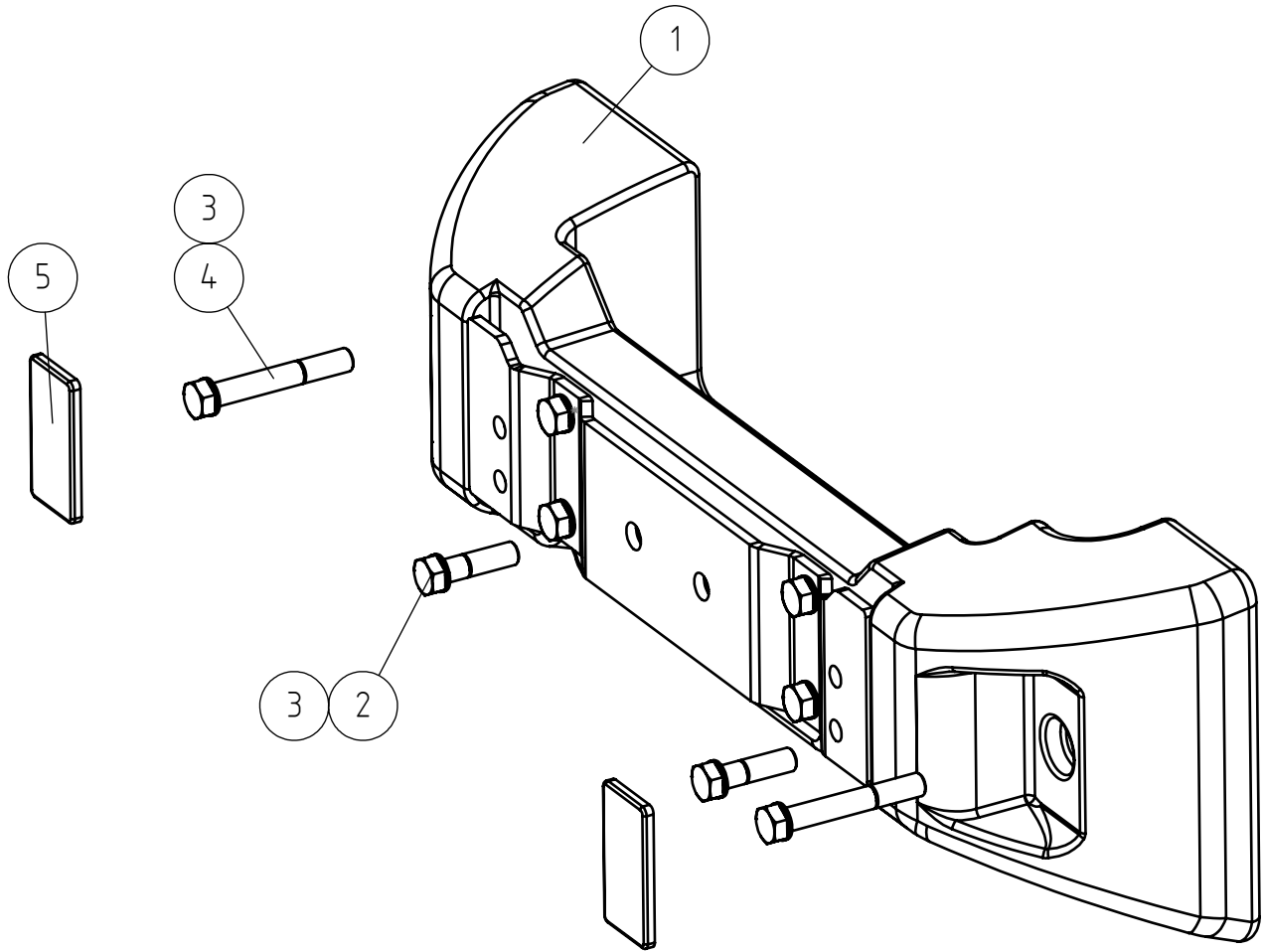
2.2.2024

**A37449 ARTICULATION JOINT ASSEMBL REAR FRAME**

REF	PART NO	QTY	DESCRIPTION	NOTES	PAGE
1	A444363	1	ARTICULATION JOINT CAST STEEL, ASSEMBLY		-
1.1	64911	2	ARTICUL. BEARING GE40ES F62/40-28(22)		-
2	A47043	2	PIVOT PIN F40-63		-
3	A47655	1	PIVOT PIN F30-60		-
4	74531	3	SPACER NORDLOCK M10, PAIR		-
5	A437915	3	HEXAGONAL HEAD SCREW M10*20 10.9 2		-
6	A48263	1	SHIM RING S=1 MM, ARTICULATION JOINT		-
7	72798	1	GREASE NIPPLE R 1/8" STRAIGHT		-
8	A437018	14	HEXAGONAL HEAD SCREW M12*40 12.9		-
9	74532	14	WASHER NORDLOCK NL12		-

2.2.2024

# A461316 REAR WEIGHT (BUMPER) 160KG ASSEMBLY



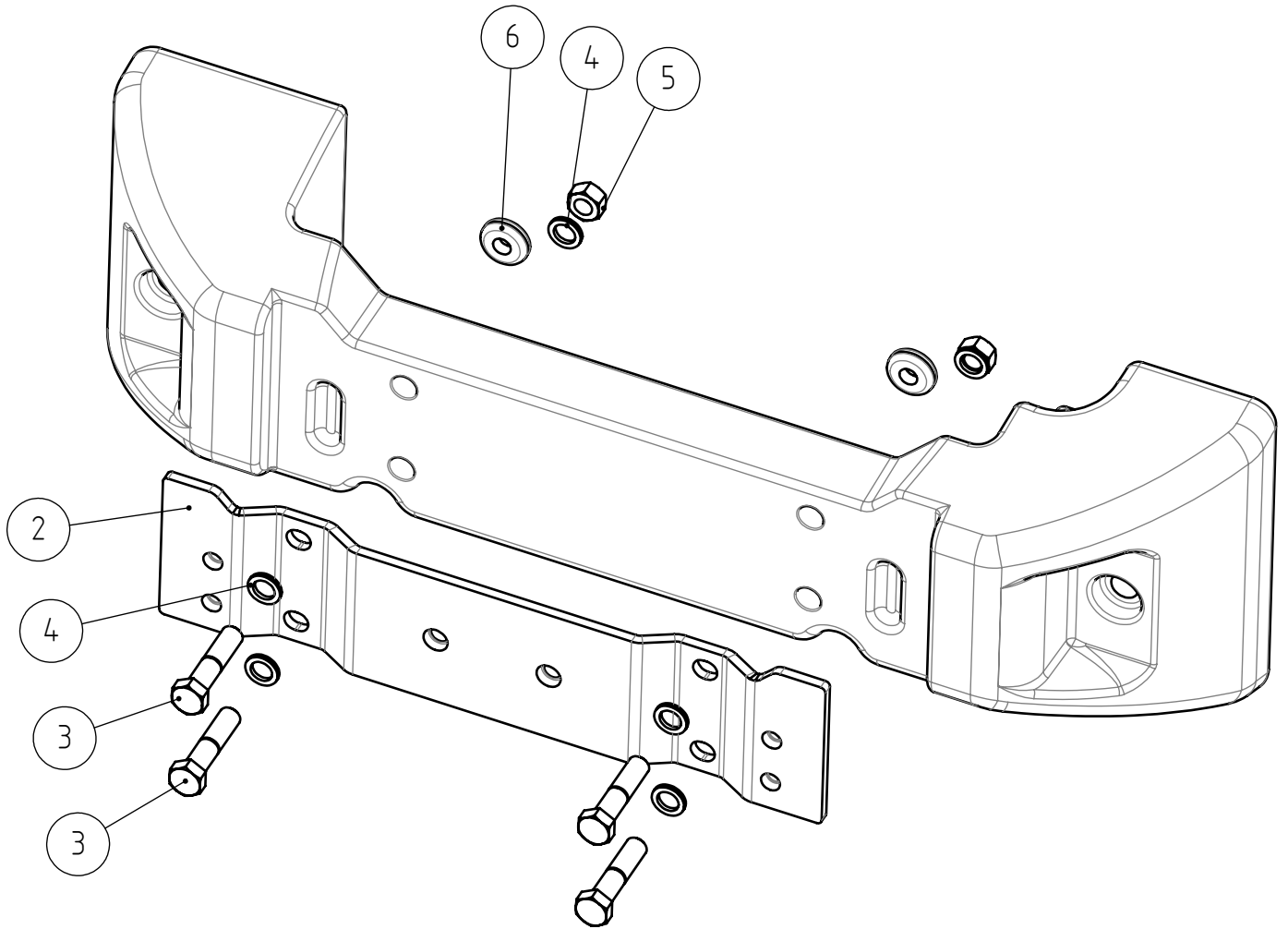
2.2.2024

**A461316 REAR WEIGHT (BUMPER) 160KG ASSEMBLY**

REF	PART NO	QTY	DESCRIPTION	NOTES	PAGE
1	A36909	1	REAR WEIGHT (BUMPER) 160 KG, ASSEMBLY		64
2	74493	2	HEXAGONAL SCREW M16*60 DIN 931		-
3	74533	4	WASHER, PAIR, M16 NL16 NORDLOCK		-
4	74742	2	HEXAGONAL SCREW M16* 110 DIN 931		-
5	A429366	2	REFLECTOR, RED 105X55X9MM		-

2.2.2024

# A36909 REAR WEIGHT (BUMPER) 160 KG, ASSEMBLY





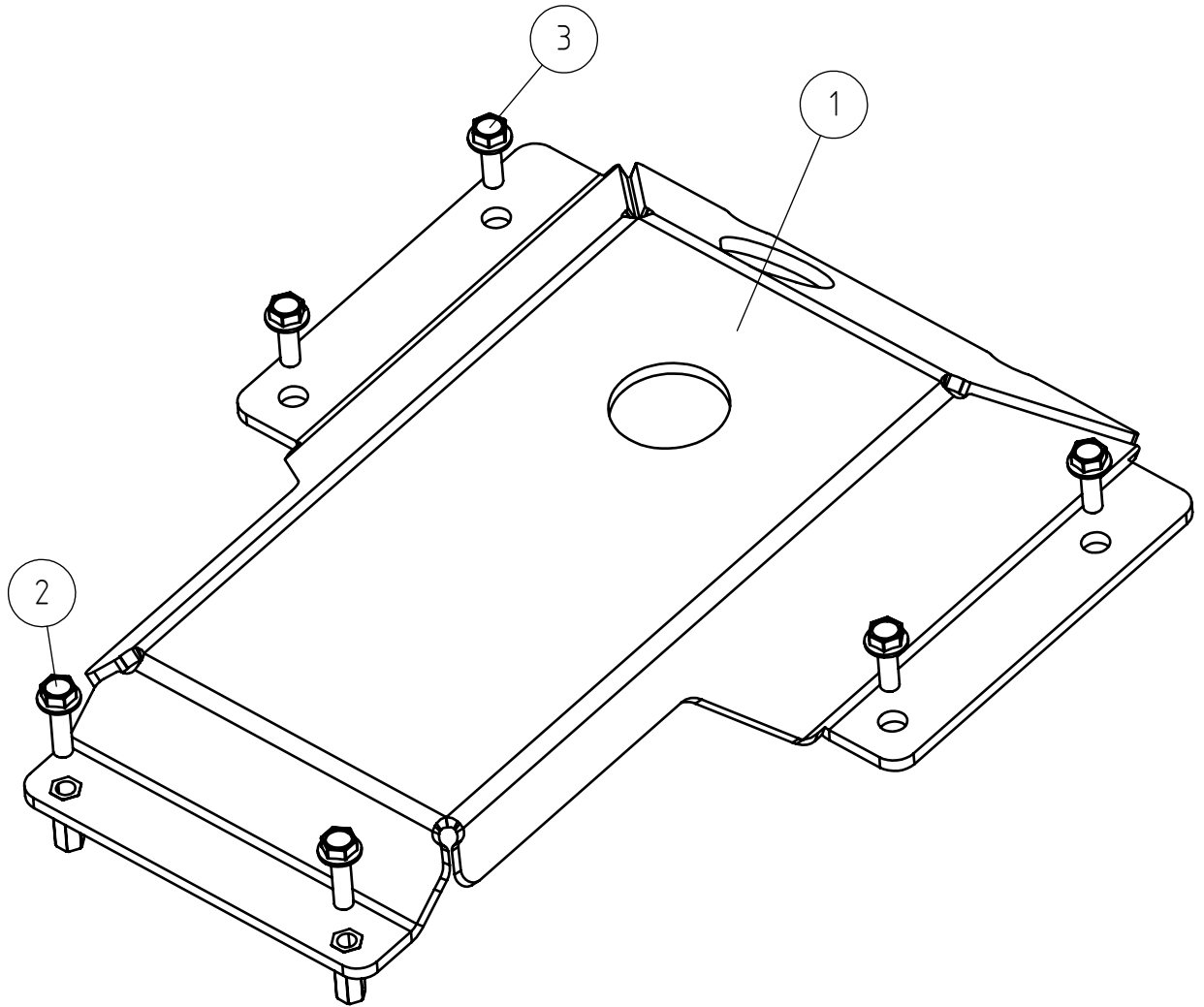
2.2.2024

**A36909 REAR WEIGHT (BUMPER) 160 KG, ASSEMBLY**

REF	PART NO	QTY	DESCRIPTION	NOTES	PAGE
1	A443369	1	REAR WEIGHT (BUMPER) 155 KG 500/600		-
2	A419683	1	MOUNTING PLATE, BACK WEIGHT 29 KG		-
3	72196	4	HEXAGONAL SCREW M16*70		-
4	74533	6	WASHER, PAIR, M16 NL16 NORDLOCK		-
5	72329	2	HEXAGONAL NUT M 16 DIN 934		-
6	A423105	2	PRESS NUT M16 37 MM		-

2.2.2024

# A461339 BOTTOM PLATE ASSEMBLY



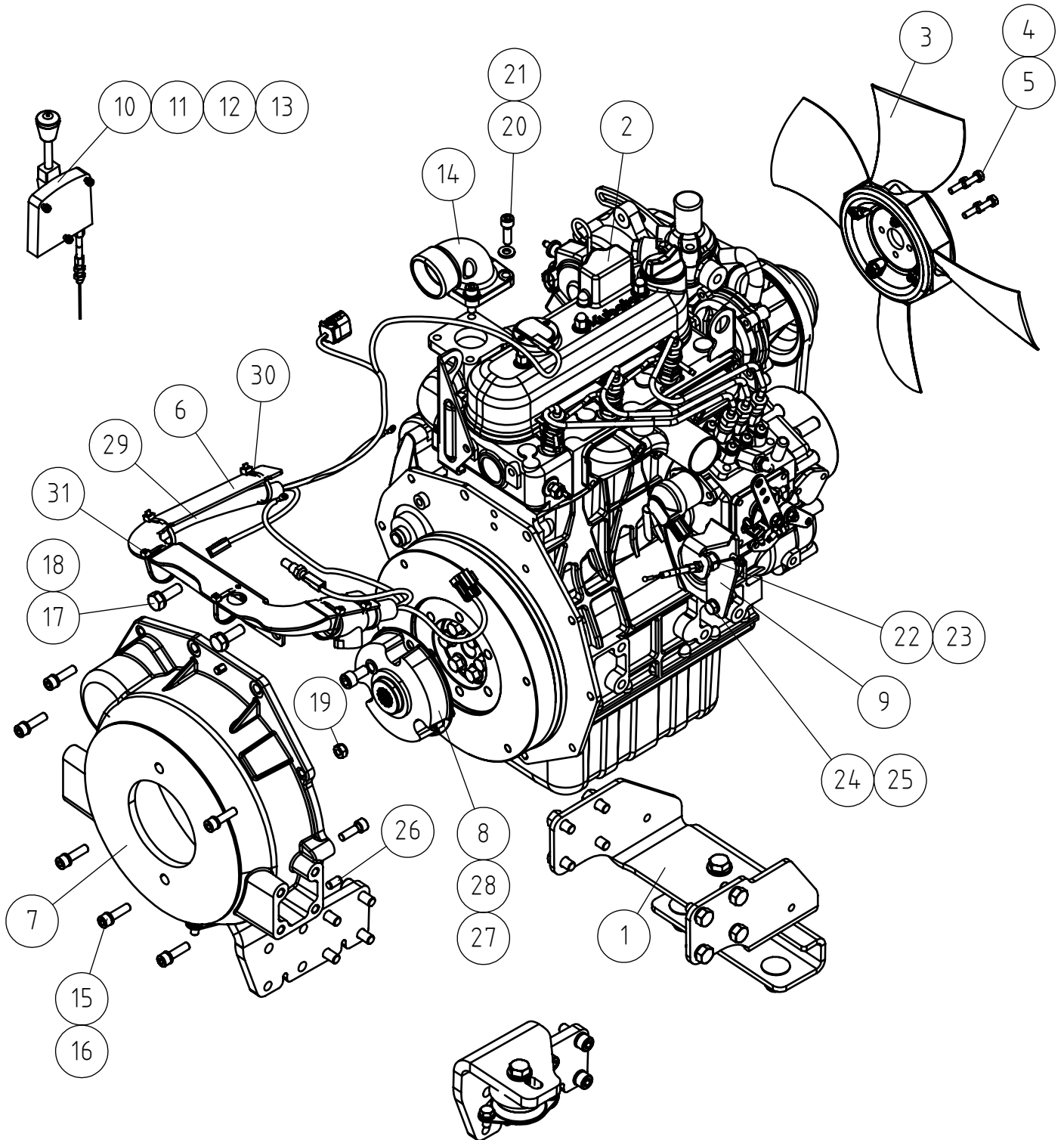
2.2.2024

**A461339 BOTTOM PLATE ASSEMBLY**

REF	PART NO	QTY	DESCRIPTION	NOTES	PAGE
1	A445313	1	BOTTOM PLATE		-
2	A429203	2	HEXAGONAL SERRATED SCREW M8*30 WITH		-
3	A429202	4	HEXAGONAL SERRATED SCREW M8*25 WITH FLAN		-

2.2.2024

# A460821 ENGINE ASSEMBLY KUBOTA D1105 528/530

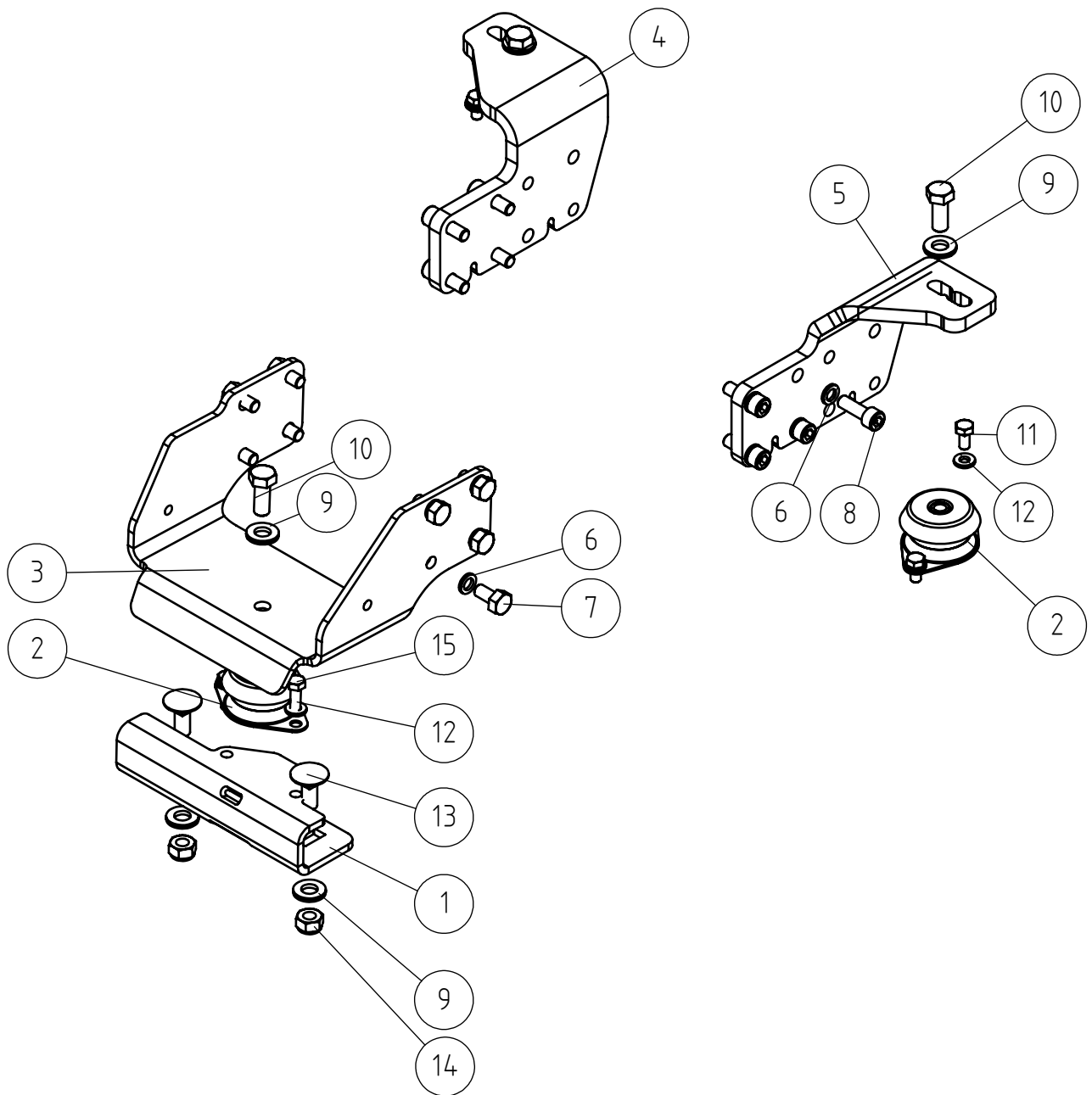


2.2.2024

**A460821 ENGINE ASSEMBLY KUBOTA D1105 528/530**

REF	PART NO	QTY	DESCRIPTION	NOTES	PAGE
1	A460826	1	ENGINE MOUNTS ASSEMBLY D1105/V1505		70
2	A461371	1	DIESEL ENGINE KUBOTA D1105 E4B-AVN-1		72
3	66450	1	FAN F380, 4 BLADE		-
4	74530	4	WASHER NORDLOCK NL6		-
5	72118	4	HEXAGONAL SCREW M6*20 DIN 933		-
6	A454865	1	MOUNTING BRACKET WIRE HARNESS ENGINE		-
7	A447377	1	FLYWHEEL HOUSING KUBOTA 05 SAE B		-
8	A432899	1	COUPLING Z=13 Ø125 S=39		-
9	A47999	1	BRACKET, GAS WIRE		-
10	A459425	1	HAND THROTTLE WITH GAS WIRE L=2700MM		-
11	74582	3	CROSS-SLOT COUNTERSUNK HEAD SCREW M4*25		-
12	74415	1	SCREW NIPPLE 128.244 S&N 2.35.0000.208		-
13	72313	3	HEXAGONAL NUT M4 DIN 985 NYLOC		-
14	A457287	1	ADAPTER TUBE EXHAUST MUFFLER D902 D1105		-
15	73100	6	HEXAGONAL HEAD SCREW M8*30 DIN 912 2		-
16	75100	7	SPACER NORDLOCK M8 NL8, PAIR		-
17	A433246	2	HEXAGONAL SCREW M10*1,25*30 DIN 961		-
18	73612	2	WASHER M10 DIN 127		-
19	72320	2	HEXAGONAL NUT M8 NYLOC DIN 985		-
20	71884	5	HEXAGONAL HEAD SCREW M 8*25 DIN 912 2		-
21	63944	4	WASHER, PAIR, NORD-LOCK M8		-
22	74789	1	HEXAGONAL SCREW M10*1,25-20		-
23	74531	1	SPACER NORDLOCK M10, PAIR		-
24	72133	1	HEXAGONAL SCREW M8*30 DIN 933		-
25	73962	1	WASHER M 8 DIN 127		-
26	A433236	1	DOWEL PIN H8*16 DIN 7		-
27	A434424	3	SAFETY WASHER M10 3/8"		-
28	A433247	3	HEXAGONAL HEAD SCREW M10*1,25*20 DIN 961		-
29	A449493	1	WIRE HARNESS ENGINE KUBOTA		-
30	A461092	2	CABLE TIE 4,6*390		-
31	A459873	4	CABLE TIE 4,6*200 BLACK		-

# A460826 ENGINE MOUNTS ASSEMBLY D1105/V1505



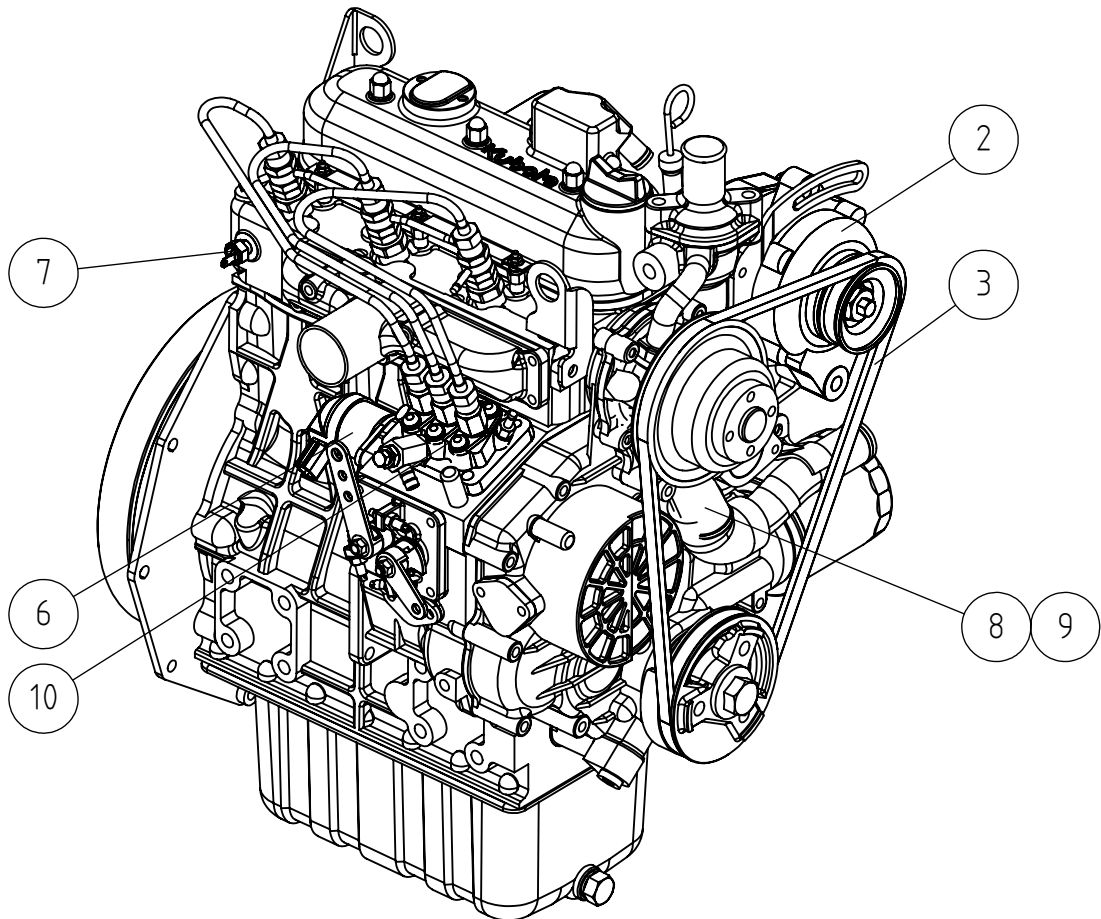
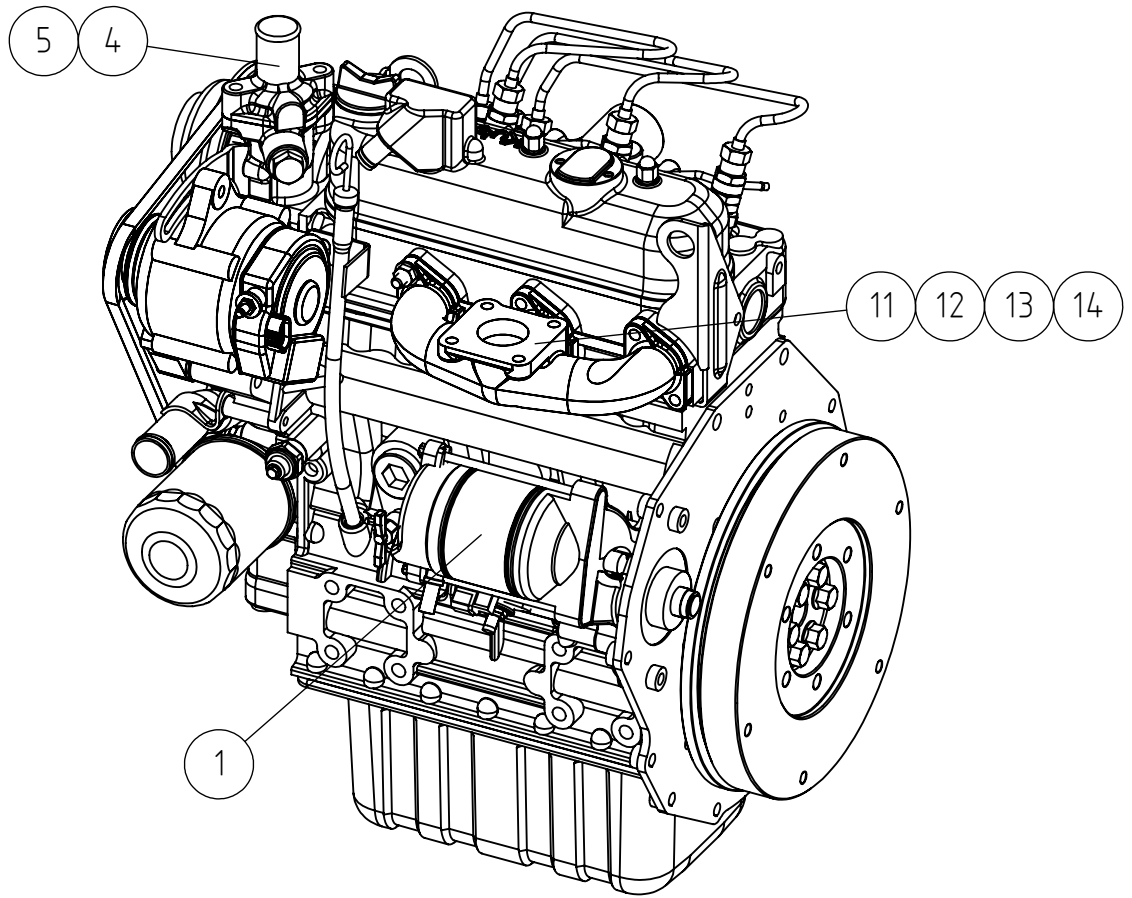
2.2.2024

**A460826 ENGINE MOUNTS ASSEMBLY D1105/V1505**

REF	PART NO	QTY	DESCRIPTION	NOTES	PAGE
1	A457086	1	MOUNTING BRACKET VIBRATION DAMPER		-
2	64843	3	ENGINE MOUNT NOVIBRA M12 - 2*F8,5		-
3	A457101	1	MOUNTING BRACKET ENGINE, REAR , 528-530		-
4	A445560	1	MOUNTING BRACKET LEFT ENGINE V1505		-
5	A445561	1	MOUNTING BRACKET RIGHT ENGINE V1505		-
6	74531	16	SPACER NORDLOCK M10, PAIR		-
7	74789	8	HEXAGONAL SCREW M10*1,25-20		-
8	A450915	8	HEXAGONAL HEAD SCREW M10X1,25X30 DIN 912		-
9	A430999	5	WASHER, PAIR, M12 NORDLOCK		-
10	72167	3	HEXAGONAL SCREW M12*30 DIN 933		-
11	73039	4	HEXAGONAL SCREW M 8*16 DIN 933 ZN		-
12	63944	8	WASHER, PAIR, NORD-LOCK M8		-
13	74683	2	CARRIAGE BOLT M12*30 DIN603 ZN		-
14	72324	2	HEXAGONAL NUT M 12 NYLOC DIN 985		-
15	72132	2	HEXAGONAL SCREW M 8*25 DIN 933 ZN		-
16	72320	2	HEXAGONAL NUT M8 NYLOC DIN 985		-

2.2.2024

# A461371 DIESEL ENGINE KUBOTA D1105 E4B-AVN-1





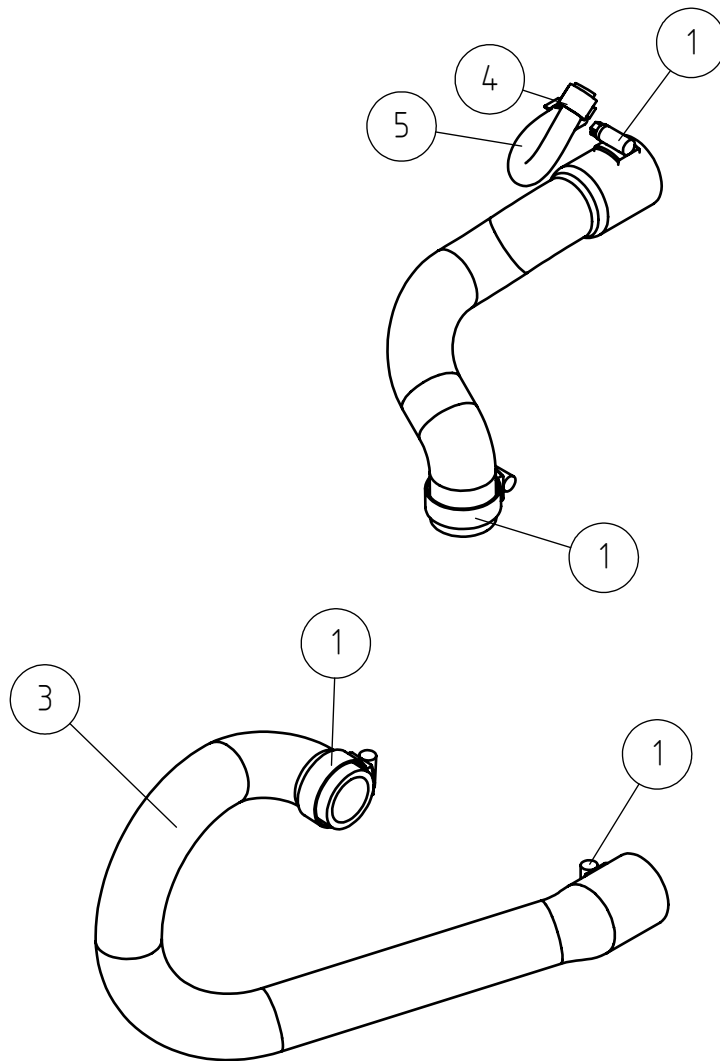
2.2.2024

**A461371 DIESEL ENGINE KUBOTA D1105 E4B-AVN-1**

REF	PART NO	QTY	DESCRIPTION	NOTES	PAGE
1	A429581	1	STARTER MOTOR ASSEMBLY KUBOTA		-
2	65574	1	ALTERNATOR KUBOTA 60A (KIT)		-
3	A461268	1	V-BELT L=978 X10 KUBOTA 38,5"		-
4	A443823	1	TEMPERATURE SWITCH 82°C KUBOTA		-
5	A429739	1	GASKET THERMOSTAT KUBOTA		-
6	65245	1	STOP SOLENOID KUBOTA D1105		-
7	A444459	1	TEMPERATURE SWITCH 115° C KUBOTA		-
8	A429578	1	WATER PUMP KUBOTA D1105/V1505		-
9	A429625	1	GASKET WATER PUMP D1105/V1505		-
10	65135	1	INJECTION PUMP KUBOTA D1105		-
11	64725	1	EXHAUST MANIF D1105 16265-12312		-
12	64726	1	GASKET EXHAUST MANIFOLD D1105		-
13	64727	1	STUD EXHAUST MANIFOLD KUBOTA		-
14	64728	1	NUT EXHAUST MANIFOLD KUBOTA D1105		-

2.2.2024

# A461421 RADIATOR HOSES ASSEMBLY



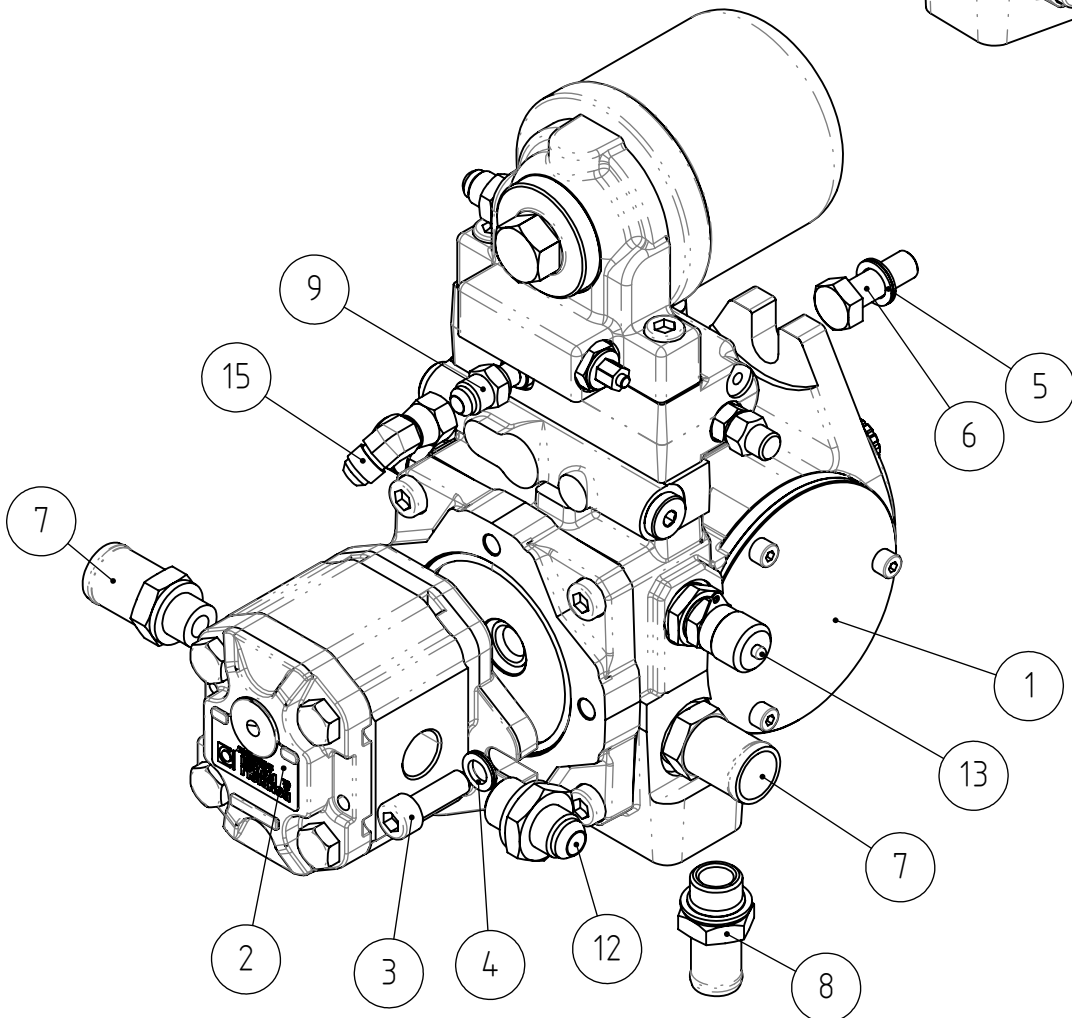
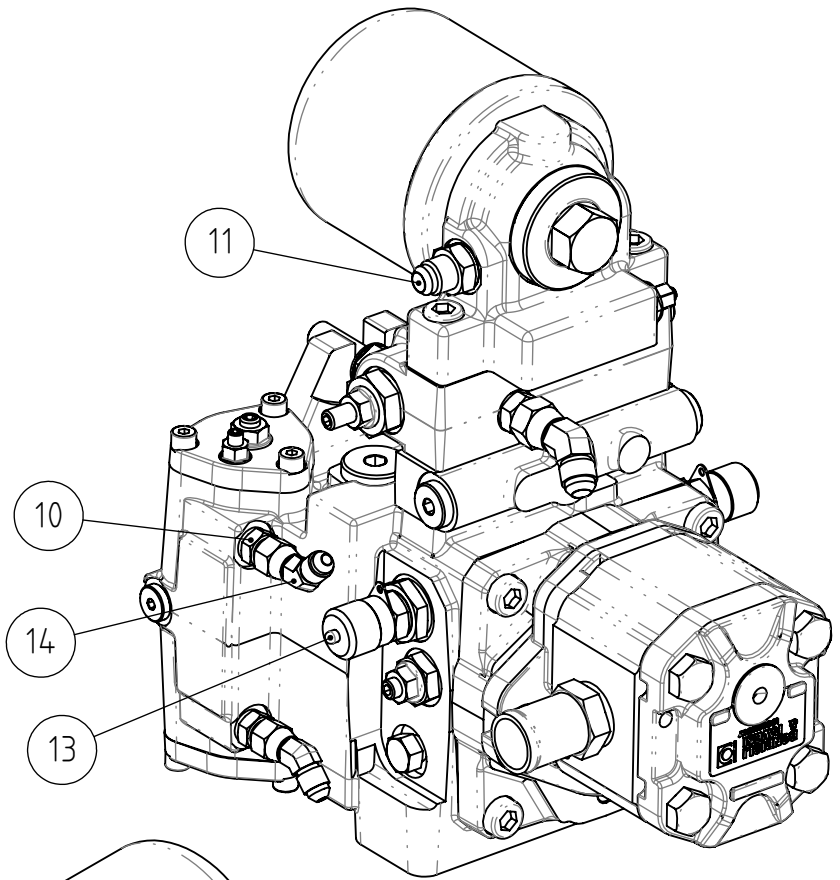
2.2.2024

**A461421 RADIATOR HOSES ASSEMBLY**

REF	PART NO	QTY	DESCRIPTION	NOTES	PAGE
1	73809	4	HOSE CLAMP 32-44 MM		-
2	A455607	1	RADIATOR HOSE UPPER D1105/V1505		-
3	A445074	1	RADIATOR HOSE LOWER KUBOTA		-
4	A453015	2	SPRING BAND HOSE CLAMP D13,5 DIN 3021		-
5	A450341	1	WATER HOSE L=180		-

2.2.2024

# A37577 HYDRAULIC PUMPS ASSEMBLY



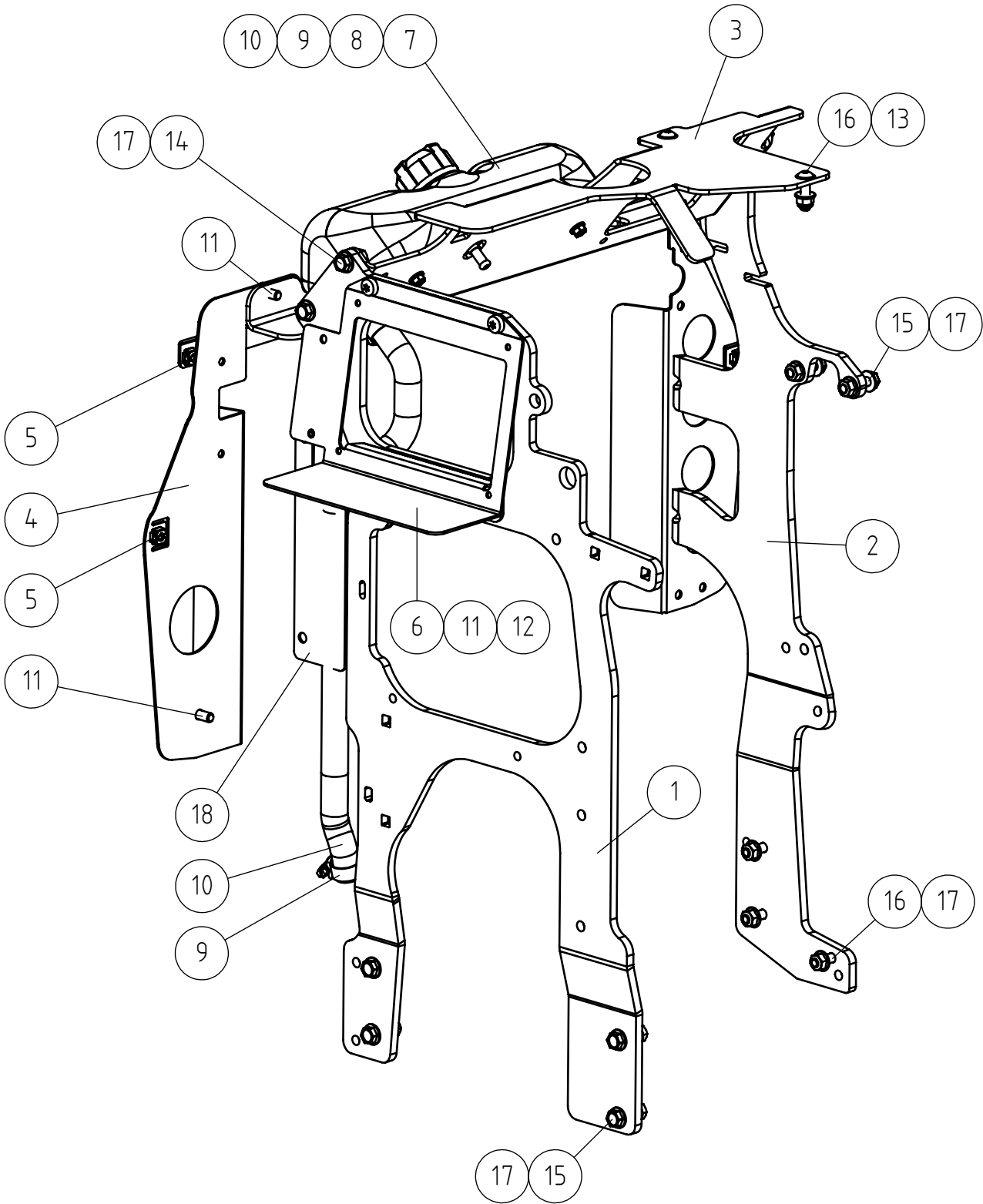
2.2.2024

**A37577 HYDRAULIC PUMPS ASSEMBLY**

REF	PART NO	QTY	DESCRIPTION	NOTES	PAGE
1	66425	1	VARIABLE DISPL. PUMP 528/R28 HP P2A 23		-
1.1	64807	1	PRESSURE FILTER, HYDR. B&P 539047001		-
2	65087	1	HYDRAULIC PUMP HPLPA211DSVG		-
3	74467	2	HEXAGONAL HEAD SCREW M10* 30 DIN 912		-
4	74531	2	SPACER NORDLOCK M10, PAIR		-
5	74532	2	WASHER NORDLOCK NL12		-
6	73042	2	HEX. SCREW M12*35 DIN 933 ZN		-
7	66240	2	HOSE BARB R1/2"UK-25 MM L=53,5		-
8	66428	1	HOSE BARB R1/2"UK - 20MM		-
9	64346	1	BASIC FITTING F40XS10-1/8"		-
10	64793	2	BASIC FITTING F40XS6-1/8"		-
11	64059	1	BASIC FITTING F40XS10-1/4		-
12	64058	1	BASIC FITTING F40XS12-1/2		-
13	64196	2	MANOMETER FITTING M16*2		-
14	65587	2	ELBOW FITTING 45° UNF 7/16" JIC		-
15	65201	1	ELBOW FITTING 45 DEG. V6SX10		-

2.2.2024

# A460887 MOUNTING FRAME AIR FILTER SER3 ASSEMBLY



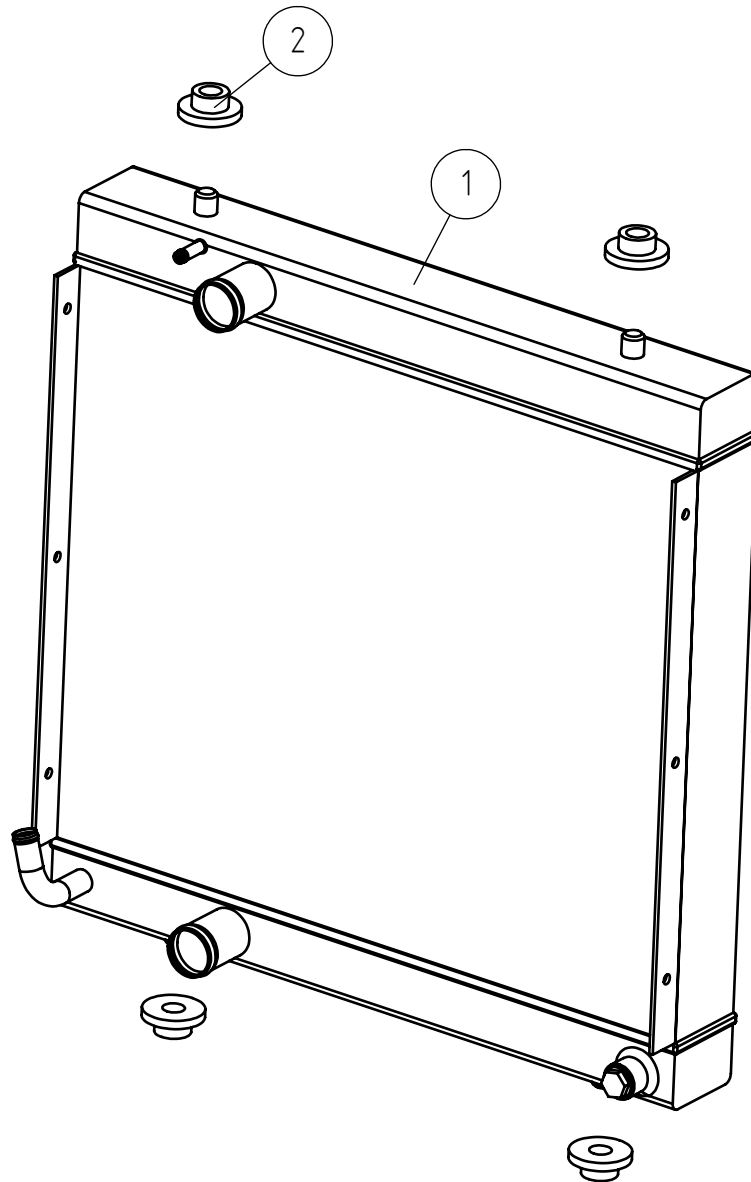
2.2.2024

**A460887 MOUNTING FRAME AIR FILTER SER3 ASSEMBLY**

REF	PART NO	QTY	DESCRIPTION	NOTES	PAGE
1	A449537	1	SIDE PLATE RIGHT AIR FILTER HOUSING		-
2	A444365	1	SIDE PLATE LEFT AIR FILTER HOUSING		-
3	A444433	1	BRACKET AIR FILTER		-
4	A444462	1	COUNTER PLATE REAR GRILLE		-
5	A450351	4	CAGE NUT M6 M6 S=1.7...2.7		-
6	A449559	1	MOUNTING BRACKET FUSE BOX		-
7	A444588	1	OVERFLOW TANK ASSEMBLY		-
8	A431968	2	HEXAGONAL SERRATED SCREW M6*12 WITH		-
9	73530	2	HOSE CLAMP 22-32 MM		-
10	A449654	1	WATER HOSE OVERFLOW TANK		-
11	A442270	7	THREAD-FORMING SCREW M8*16 DIN 7500C		-
12	75129	2	THREAD-FORMING SCREW M6*16 DIN 7500C		-
13	A447717	2	HEXAGONAL NUT M8 NYLOC DIN 6926		-
14	A429201	4	HEXAGONAL SERRATED SCREW M8*20 WITH		-
15	A429203	6	HEXAGONAL SERRATED SCREW M8*30 WITH		-
16	A439829	5	HEXAGONAL HEAD SCREW M8*30 10.9 2		-
17	A450046	13	HEXAGONAL NUT M8 WITH FLANGE		-
18	A462876	1	HEAT SHIELD RADIATOR		-

2.2.2024

# A460889 RADIATOR ASSEMBLY





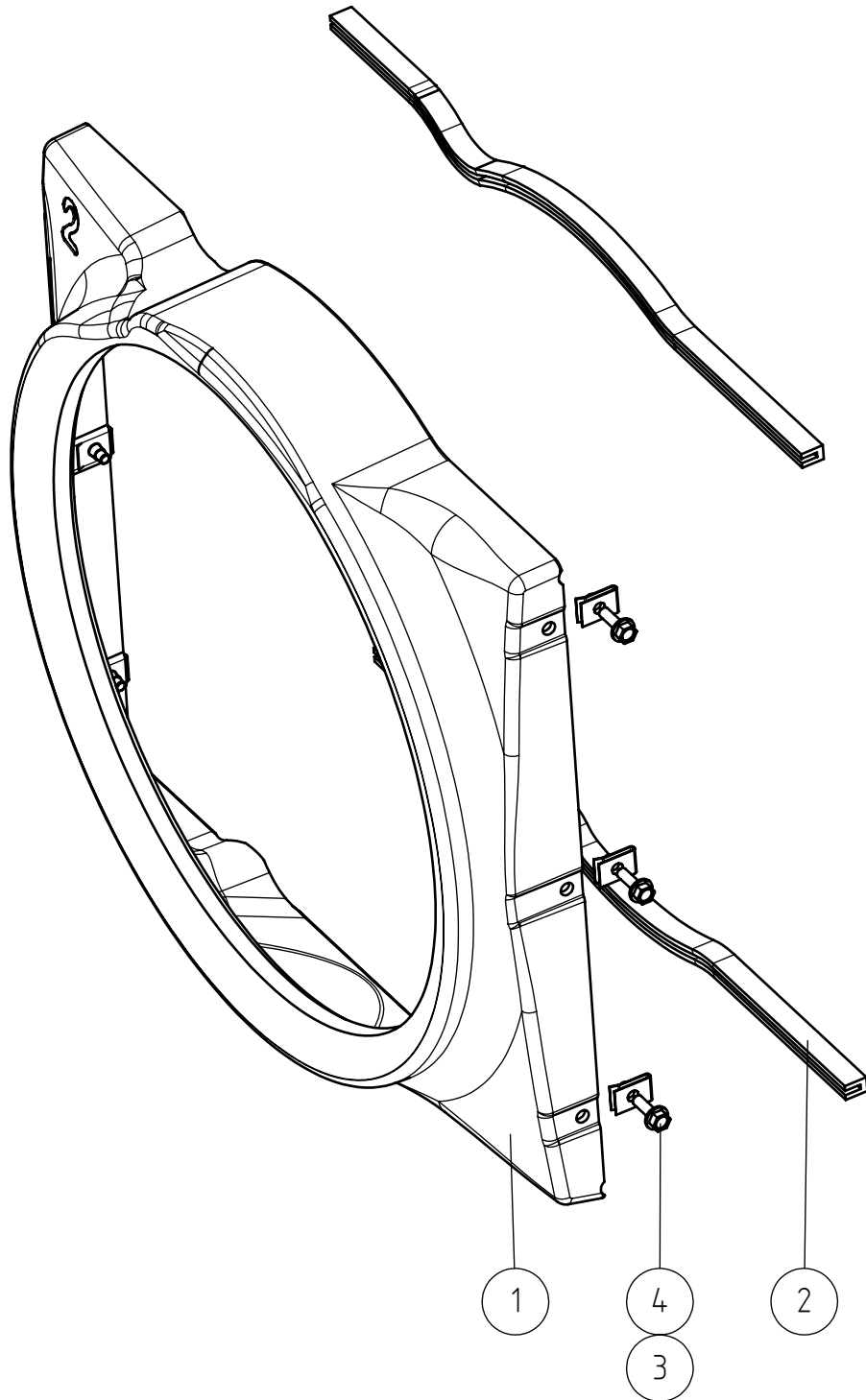
2.2.2024

**A460889 RADIATOR ASSEMBLY**

REF	PART NO	QTY	DESCRIPTION	NOTES	PAGE
1	A443473	1	RADIATOR KUBOTA/KOHLER		-
2	A420381	4	VIBRATION DAMPER RUBBER RADIATOR		-

2.2.2024

# A461143 WIND TUNNEL NO. 2 ASSEMBLY



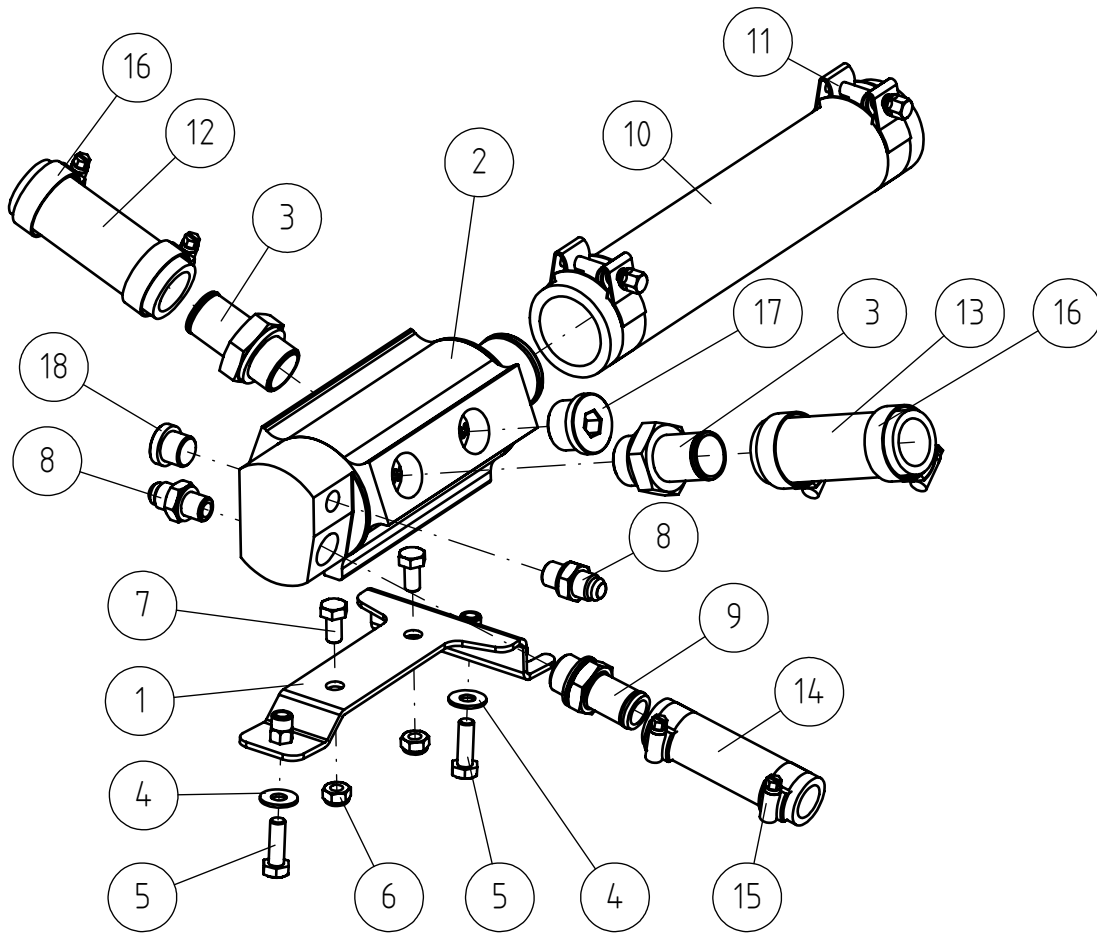
2.2.2024

**A461143 WIND TUNNEL NO. 2 ASSEMBLY**

REF	PART NO	QTY	DESCRIPTION	NOTES	PAGE
1	A443060	1	WIND TUNNEL 635 640 735 745 750		-
2	A438764	1	EDGE STRIP WIND TUNNEL KOHLER KDI		-
3	74807	6	SPEED NUT M6, FOR 0.5-4.0 MM PLATE		-
4	A431349	6	HEXAGONAL SERRATED SCREW M6*20 W. FLANG		-

2.2.2024

# A455499 HYDRAULIC MANIFOLD ASSEMBLY 528 / 530

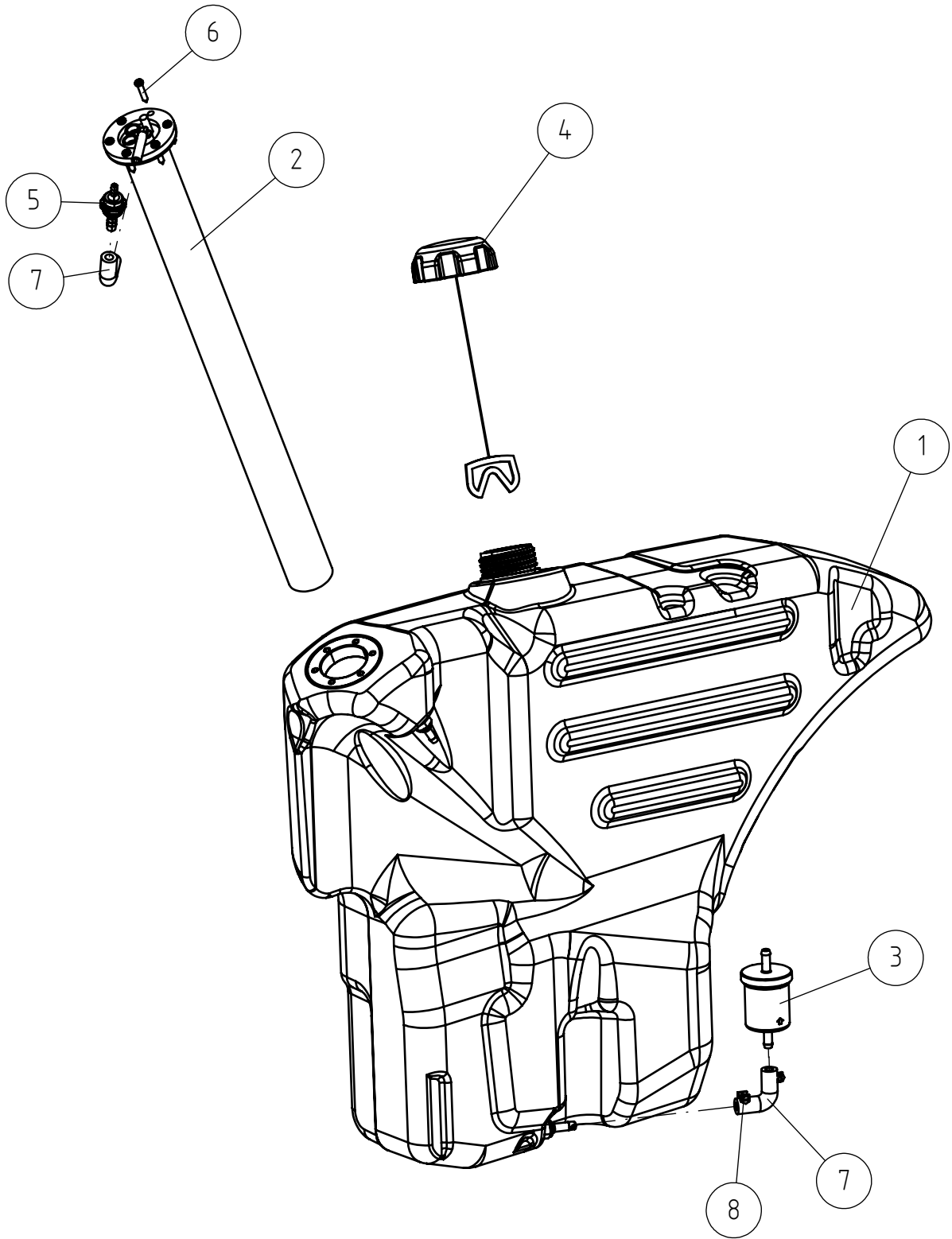


2.2.2024

**A455499 HYDRAULIC MANIFOLD ASSEMBLY 528 / 530**

REF	PART NO	QTY	DESCRIPTION	NOTES	PAGE
1	A429660	1	MOUNTING BRACKET HYDRAULIC MANIFOLD		-
2	A450772	1	HYDRAULIC MANIFOLD ASSEMBLY		-
3	66107	2	HOSE BARB R3/4"UK - 25 MM L=58		-
4	74525	2	WASHER M8 8,4*20*1,25 ZN		-
5	72132	2	HEXAGONAL SCREW M 8*25 DIN 933 ZN		-
6	72320	2	HEXAGONAL NUT M8 NYLOC DIN 985		-
7	73039	2	HEXAGONAL SCREW M 8*16 DIN 933 ZN		-
8	64059	2	BASIC FITTING F40XS10-1/4		-
9	66428	1	HOSE BARB R1/2"UK - 20MM		-
10	A427317	1	INLET HOSE F53/F40-280 TANK - MANIFOLD		-
11	66013	2	PIPE CLAMP POWER-FLEX S-048-		-
12	A436985	1	INLET HOSE D25 L=590		-
13	A448235	1	INLET HOSE L=480 D25		-
14	A427319	1	HYDR. HOSE L=550 D19		-
15	73530	2	HOSE CLAMP 22-32 MM		-
16	73809	4	HOSE CLAMP 32-44 MM		-
17	73768	1	HEXAGONAL PLUG HF-3/4" WITH SEAL		-
18	74411	1	HEXAGONAL PLUG HF 3/8" HTUNG		-

# A445726 FUEL TANK ASSEMBLY 645I/650I



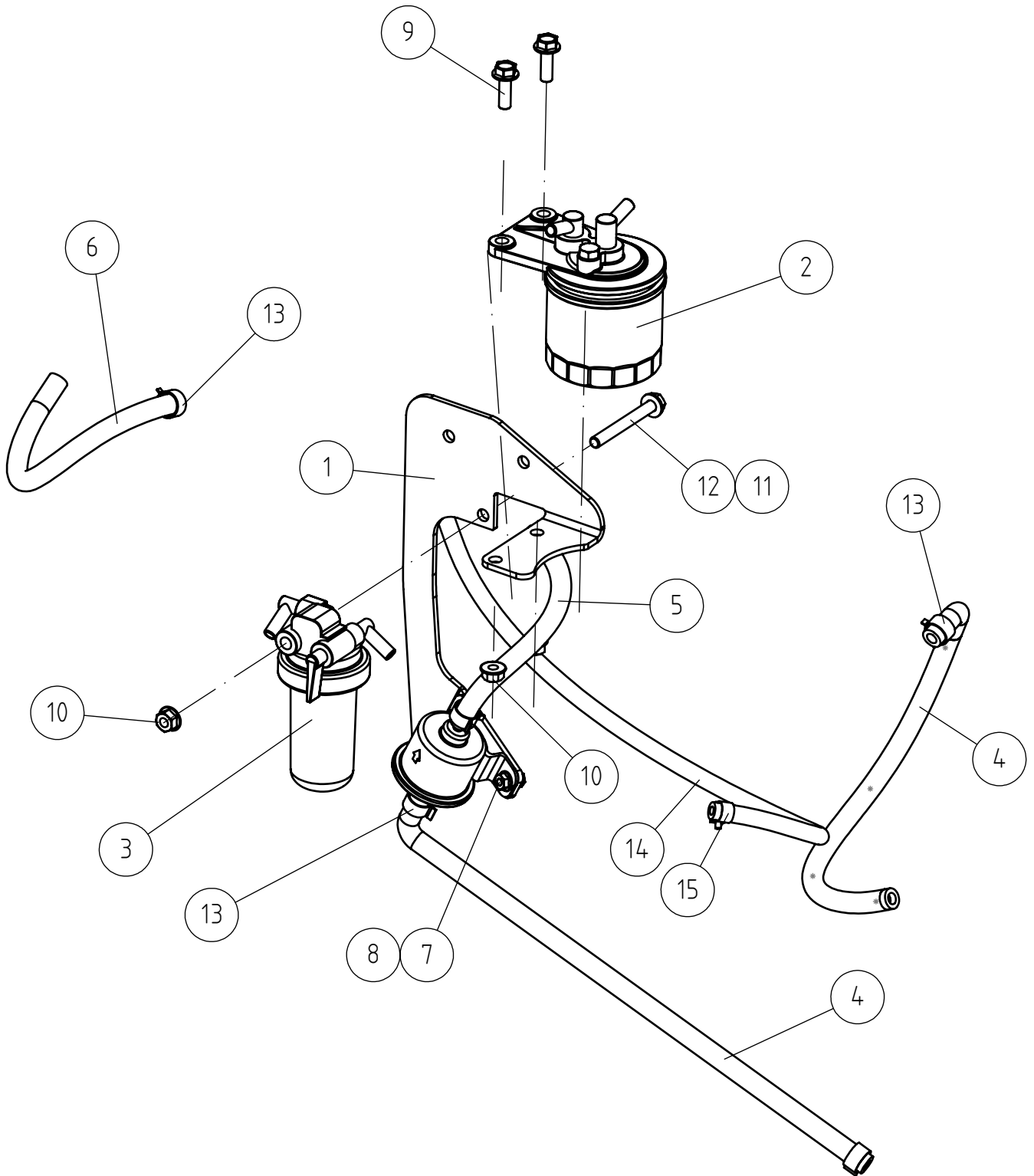
2.2.2024

**A445726 FUEL TANK ASSEMBLY 645I/650I**

REF	PART NO	QTY	DESCRIPTION	NOTES	PAGE
1	A445225	1	FUEL TANK 40L WITH HOSE NIPPLES		-
2	A436296	1	SENSOR FUEL GAUGE		-
3	64657	1	FUEL FILTER IN HOSE 12581-43012 D1105		-
4	66313	1	FUEL TANK CAP		-
5	A422526	1	CHECK VALVE FUEL TANK		-
6	75130	6	THREAD-FORMING SCREW M5*25		-
7	A449548	2	FUEL HOSE		-
8	A462891	2	HOSE CLAMP 14MM		-

2.2.2024

# A455396 FUEL FILTERS ASSEMBLY D1105 V1505





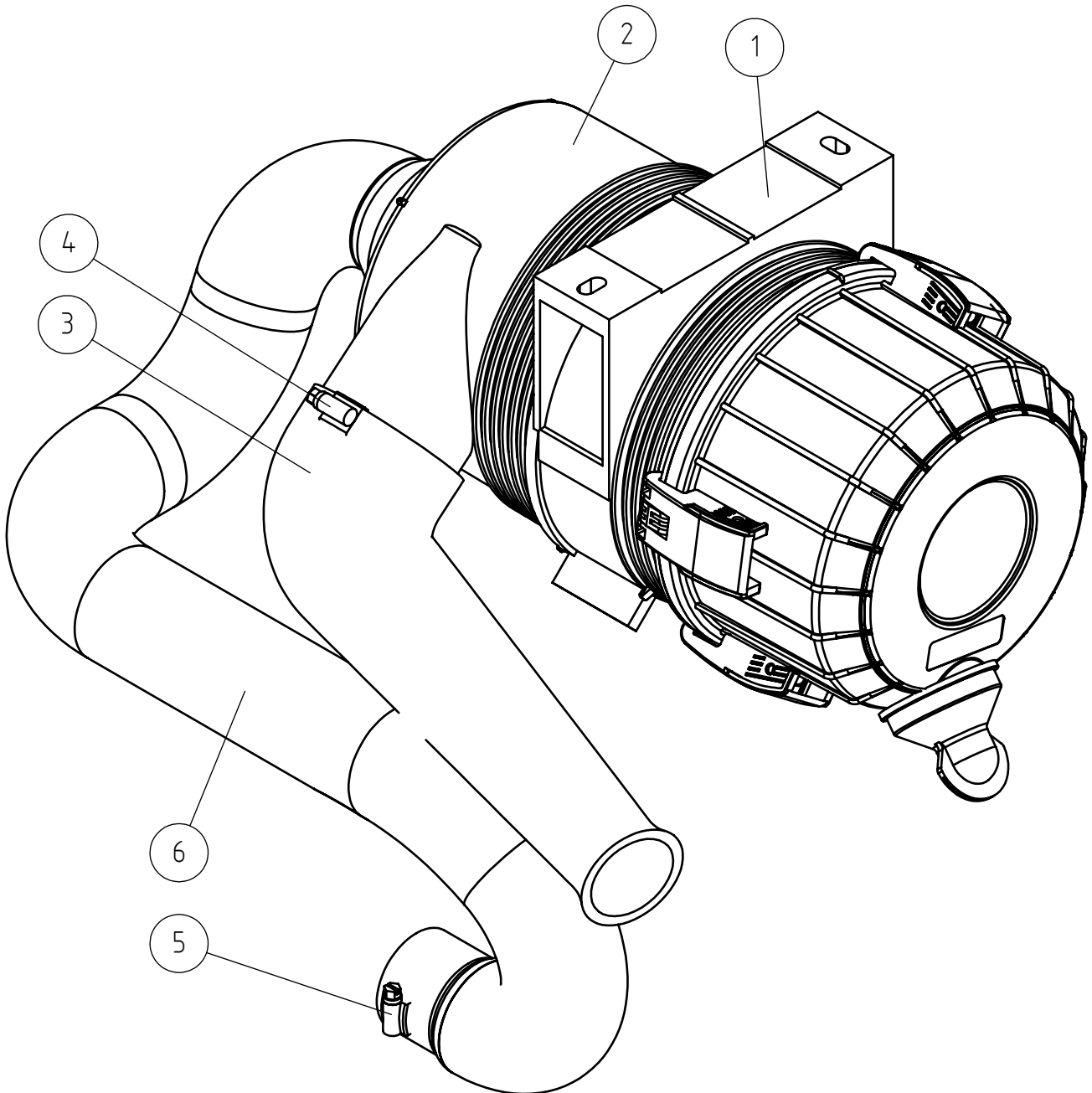
2.2.2024

**A455396 FUEL FILTERS ASSEMBLY D1105 V1505**

REF	PART NO	QTY	DESCRIPTION	NOTES	PAGE
1	A455357	1	MOUNTING BRACKET FILTER D1105 V1505		-
2	64868	1	FUEL FILTER, KIT, KUBOTA		-
2.1	64626	1	FUEL FILTER CARTRIDGE 15221-4308-0		-
3	64920	1	WATER SEQUESTER, KIT, KUBOTA 16614-43001		-
4	A445091	2	FUEL HOSE L=400		-
5	A455438	1			-
6	A455444	1			-
7	A431968	2	HEXAGONAL SERRATED SCREW M6*12 WITH		-
8	A452923	2	HEXAGONAL NUT M6 DIN 6923		-
9	A429202	2	HEXAGONAL SERRATED SCREW M8*25 WITH FLAN		-
10	A450046	3	HEXAGONAL NUT M8 WITH FLANGE		-
11	73122	1	WASHER M8 A8,4 DIN 125 ZN		-
12	74520	1	HEXAGONAL SCREW M 8* 70 DIN 933		-
13	A449796	8	HOSE CLAMP DN15		-
14	A459118	1			-
15	74405	2	HOSE CLAMP (13-10 MM)		-

2.2.2024

# A461502 AIR FILTER ASSEMBLY 528/530 SER3



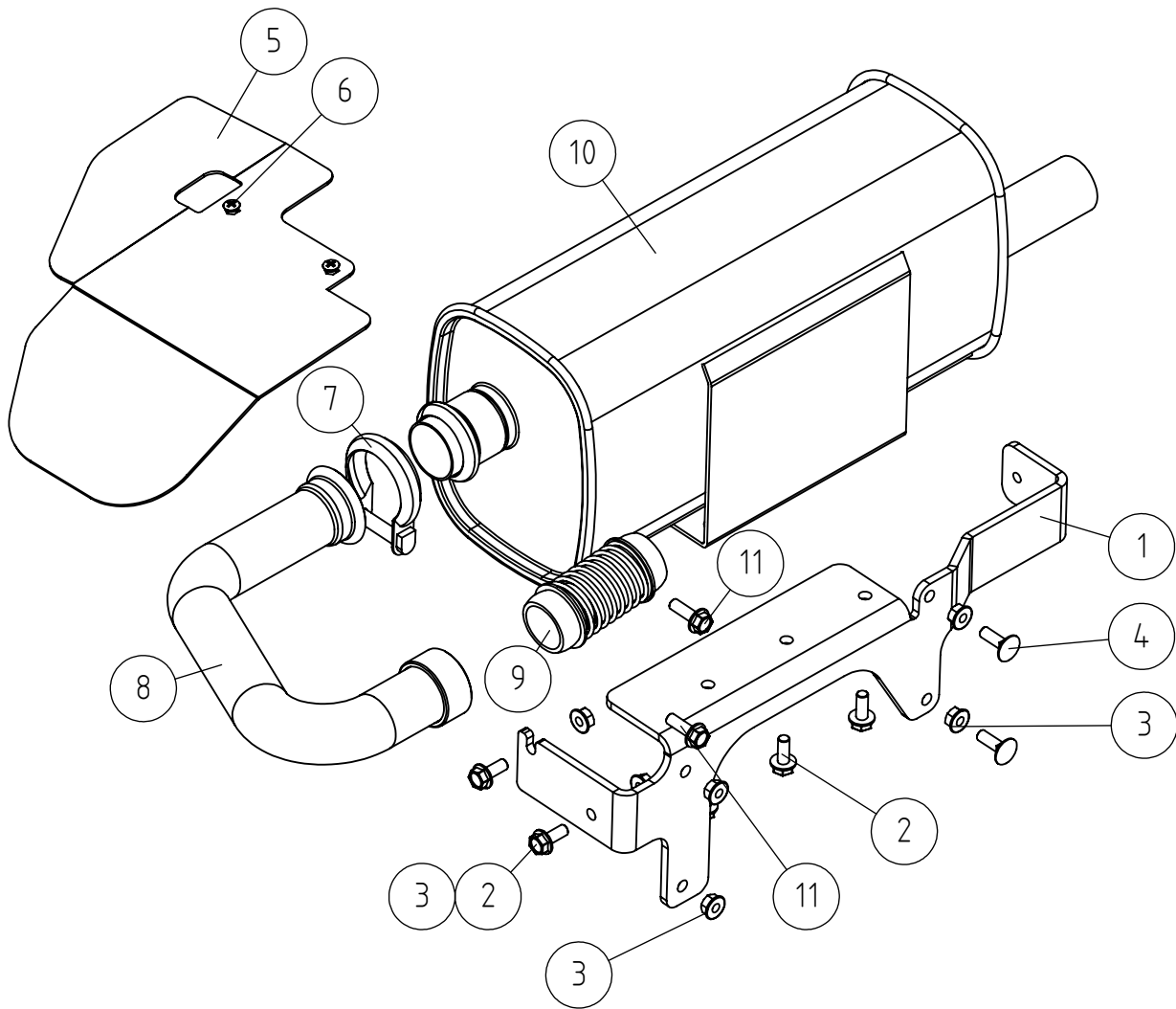
2.2.2024

**A461502 AIR FILTER ASSEMBLY 528/530 SER3**

REF	PART NO	QTY	DESCRIPTION	NOTES	PAGE
1	65946	1	CLAMP, AIR FILTER 65941		-
2	65941	1	AIR FILTER COMPLETE KOHLER KDI 1903 TCR		-
2.1	66060	1	AIR FILTER CARTRIDGE 6351-6501 7551 7601		-
2.2	66061	1	AIR FILTER, INNER SCREEN ELEMENT		-
3	A419185	1	SUCTION RESTRICTOR HOSE		-
4	64339	1	HOSE CLAMP ABA 68-85 MM		-
5	64338	1	HOSE CLAMP ABA 44-56 MM		-
6	A455585	1	SUCTION HOSE AIR FILTER - ENGINE KUBOTA		-

2.2.2024

# A460922 EXHAUST MUFFLER + PIPE ASSEMBLY 528/530



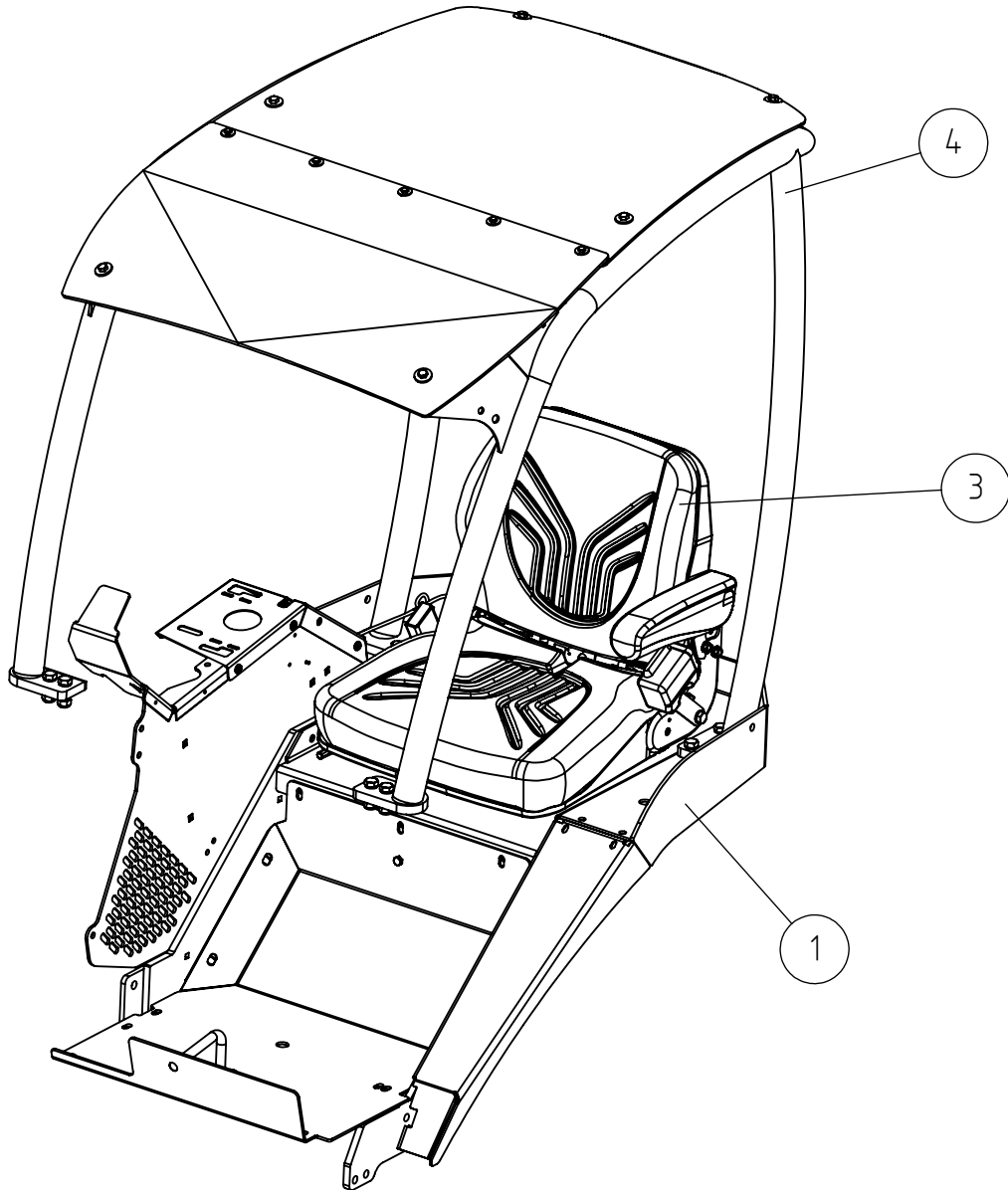
2.2.2024

**A460922 EXHAUST MUFFLER + PIPE ASSEMBLY 528/530**

REF	PART NO	QTY	DESCRIPTION	NOTES	PAGE
1	A452525	1	MOUNTING BRACKET EXHAUST MUFFLER		-
2	A429201	5	HEXAGONAL SERRATED SCREW M8*20 WITH		-
3	A450046	6	HEXAGONAL NUT M8 WITH FLANGE		-
4	74857	2	CARRIAGE BOLT M8*25 DIN603		-
5	A452832	1	HEAT SHIELD 528-640		-
6	74785	2	COUNTERS. CROSS HEAD SCREW M6*16		-
7	A458354	1	CLAMP EXHAUST PIPE		-
8	A457959	1	EXHAUST PIPE FRONT PART BEND 528/530		-
9	A452828	1			-
10	A460520	1	EXHAUST MUFFLER 528-640 SER3		-
11	A429202	2	HEXAGONAL SERRATED SCREW M8*25 WITH FLAN		-

2.2.2024

# A462042 ROPS/FOPS CAB ASSEMBLY 500 SERIES



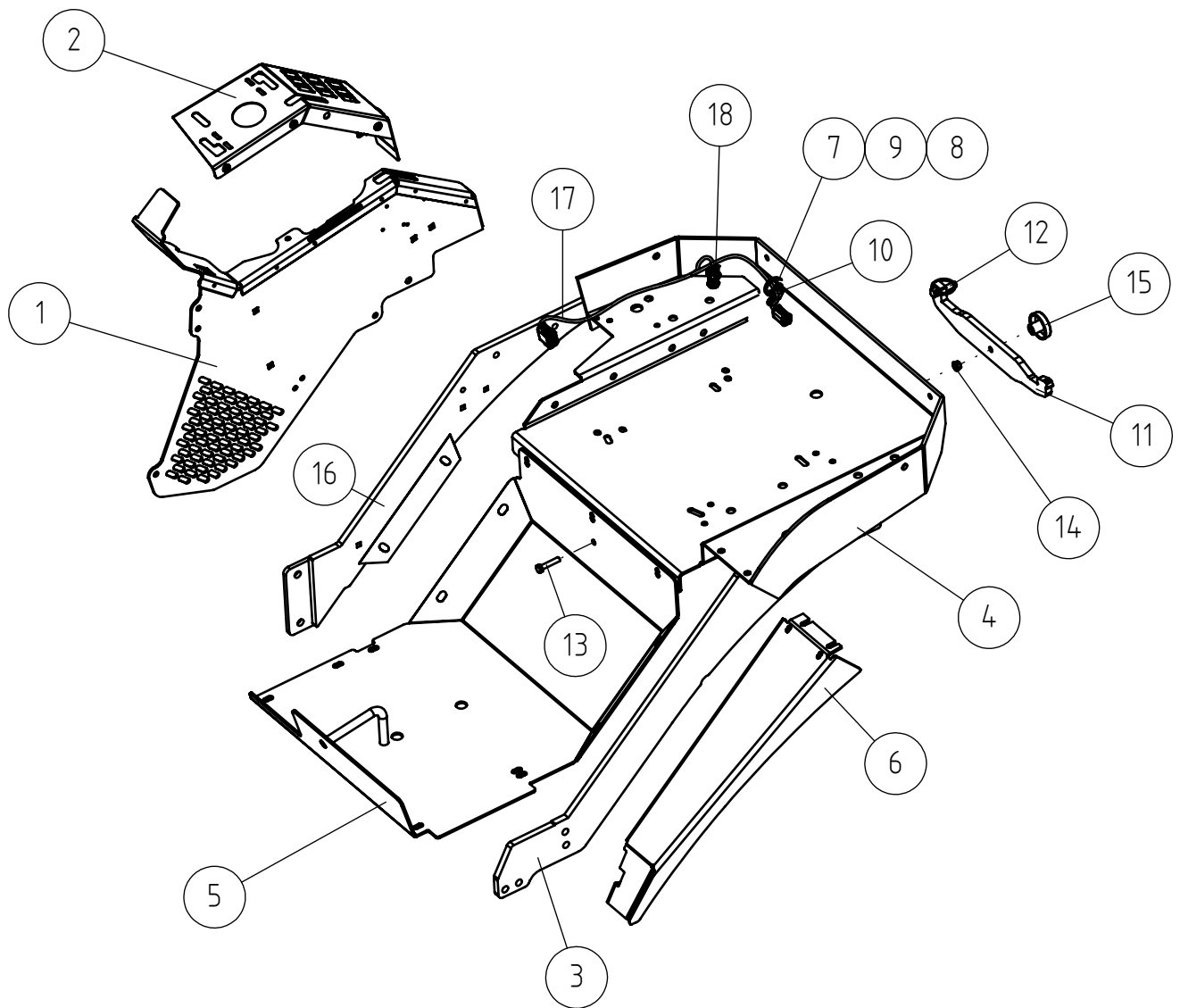
2.2.2024

**A462042 ROPS/FOPS CAB ASSEMBLY 500 SERIES**

REF	PART NO	QTY	DESCRIPTION	NOTES	PAGE
1	A462011	1	SEAT BASE ASSEMBLY 500-700 SERIES		96
2	A450046	4	HEXAGONAL NUT M8 WITH FLANGE		-
3	A449720	1	SEAT WITH SUSPENSION VINYL B12		-
4	A48906	1	ROPS FRAME WITH FOPS CANOPY, 500 SERIES		100

2.2.2024

# A462011 SEAT BASE ASSEMBLY 500-700 SERIES



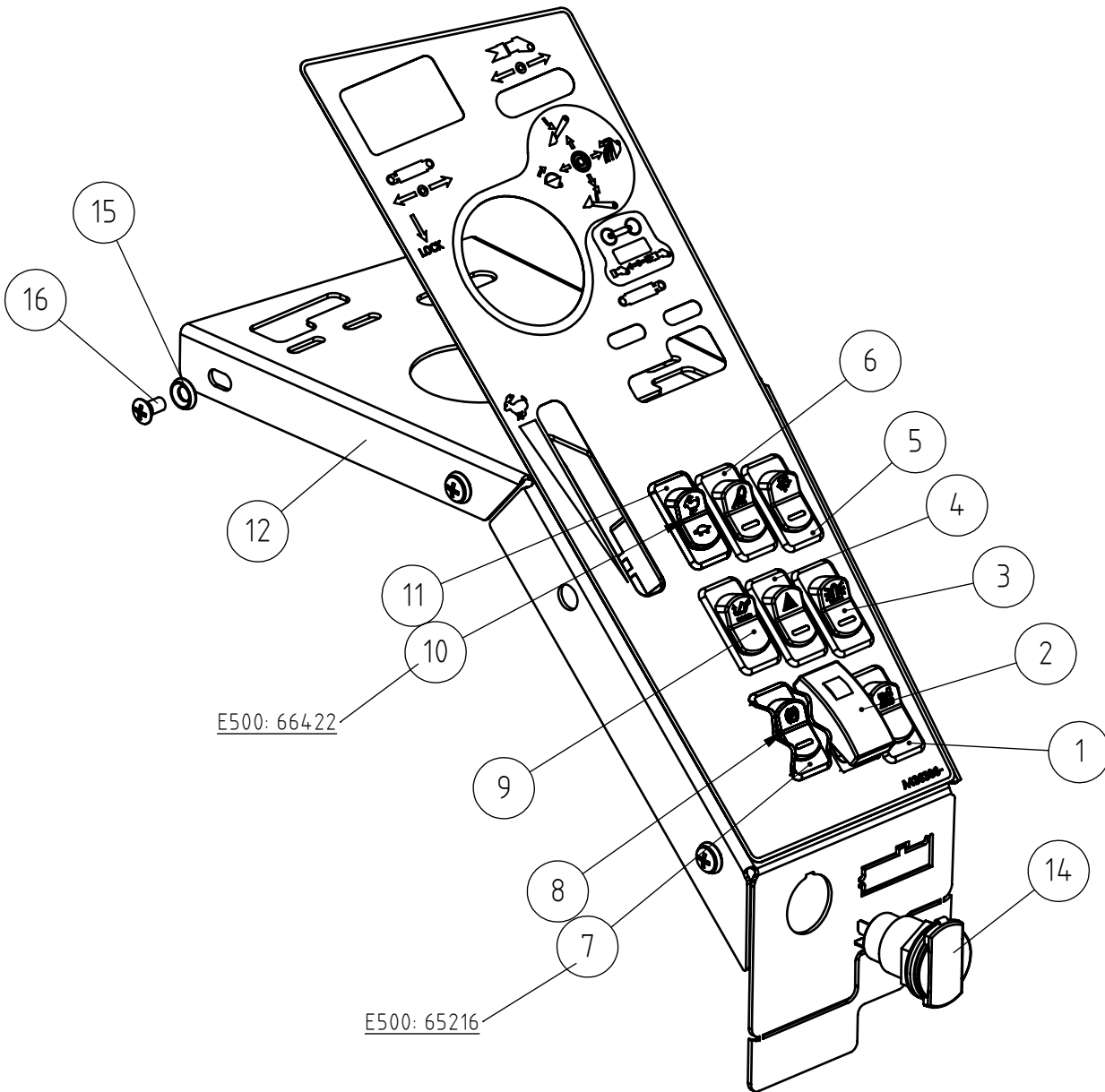


2.2.2024

**A462011 SEAT BASE ASSEMBLY 500-700 SERIES**

REF	PART NO	QTY	DESCRIPTION	NOTES	PAGE
1	A438092	1	MOUNTING PLATE CONTROL VALVE HDS16		-
2	A439987	1	INSTRUMENT PANEL WITH DECAL 700 / 800		98
3	A47834	1	BAR, LEFT		-
4	A48246	1	SEAT BASE		-
5	A47399	1	FLOOR PLATE		-
6	A47531	1	EDGE PLATE		-
7	74767	1	RAISED COUNTERSUNK HEAD SCREW M6*20		-
8	74768	1	WASHER CONICAL M6		-
9	74781	1	HEXAGONAL NUT M6 WITH FLANGE		-
10	A442639	1	CABLE TIE 7,6*390 M6 BLACK		-
11	A410307	1	FRAME LOCK		-
12	71727	1	LINCH PIN 9,5 MM		-
13	73222	1	HEXAGONAL SCREW M8*40 DIN 933		-
14	74782	1	HEXAGONAL NUT M8 WITH FLANGE		-
15	64188	1	FINGER SCREW R5026M8S		-
16	A47389	1	BAR, RIGHT		-
17	A451202	1	WIRE HARNESS SEAT GRAMMER		-
18	A433798	1	TEMPERATURE SENSOR TF-W		-

# A439987 INSTRUMENT PANEL WITH DECAL 700 / 800



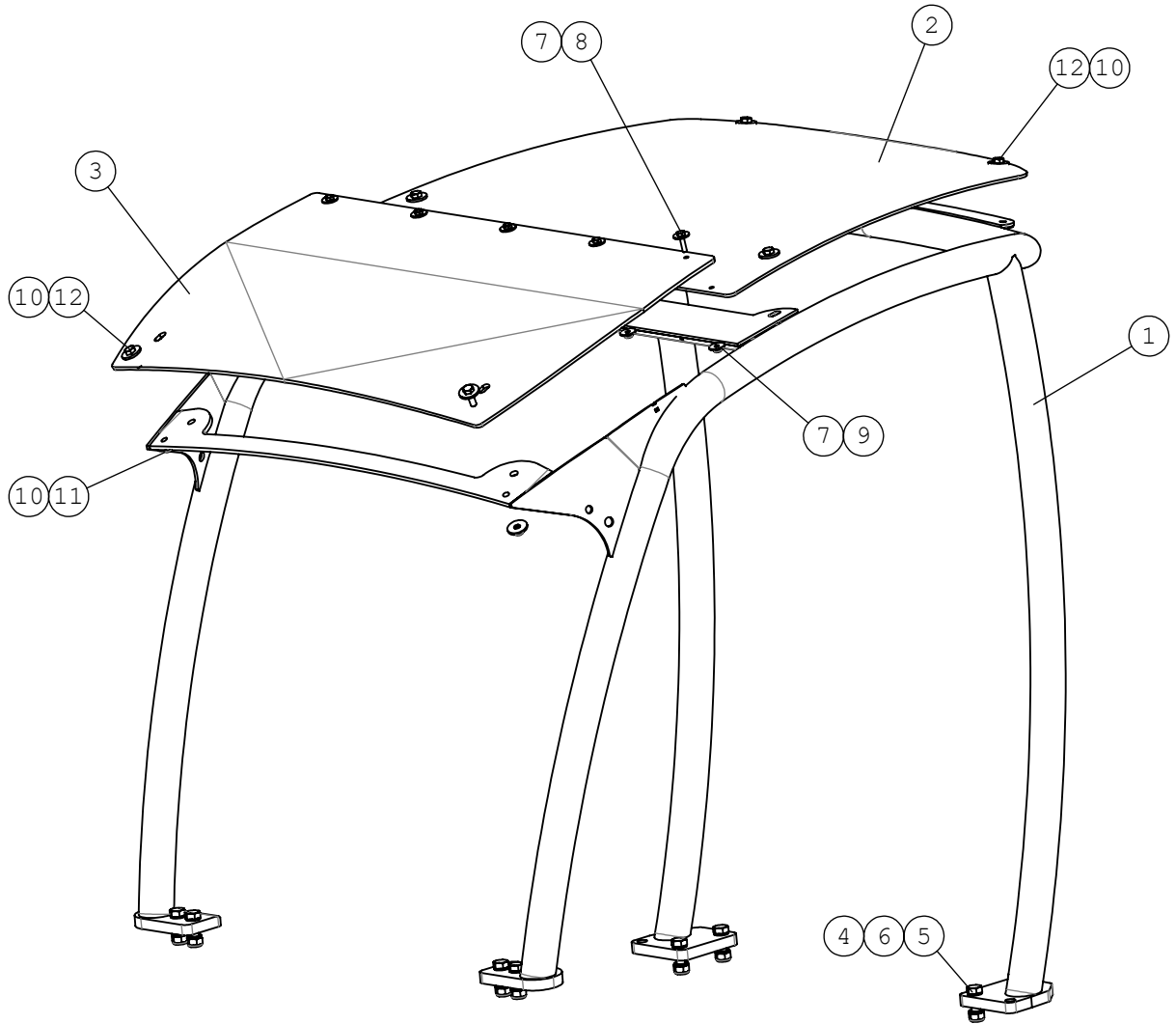
2.2.2024

**A439987 INSTRUMENT PANEL WITH DECAL 700 / 800**

REF	PART NO	QTY	DESCRIPTION	NOTES	PAGE
1	A437343	1	ROCKER SWITCH OPTICONTROL		-
2	A430996	1	CONTROL SWITCH, HYDR ATTACHMENT COUPLING		-
3	65065	1	SWITCH, BEACON		-
4	65064	1	SWITCH, WARNING BLINKER		-
5	65063	1	SWITCH, WIPER/WASHER		-
6	65066	1	SWITCH, WORK LIGHT		-
7	65216	1	SWITCH, PARKING BRAKE		-
8	A442040	1	SWITCH PARKING BRAKE		-
9	A437190	1	SWITCH SMOOTH DRIVE		-
10	66422	1	SWITCH SLOW-FAST (TURTLE-RABBIT)		-
11	65246	1	SWITCH, DRIVE SPEED AREA (TURTLE-RABBIT)		-
12	A431454	1	PANEL 800 SERIES		-
13	A436386	1	DECAL INSTRUMENT PANEL 800 SERIES		-
14	A436424	1	OUTLET 12V/20A WITH COVER		-
15	74768	3	WASHER CONICAL M6		-
16	75162	3	CROSS HEAD COUNTERS SCREW M6*12		-

2.2.2024

# A48906 ROPS FRAME WITH FOPS CANOPY, 500 SERIES

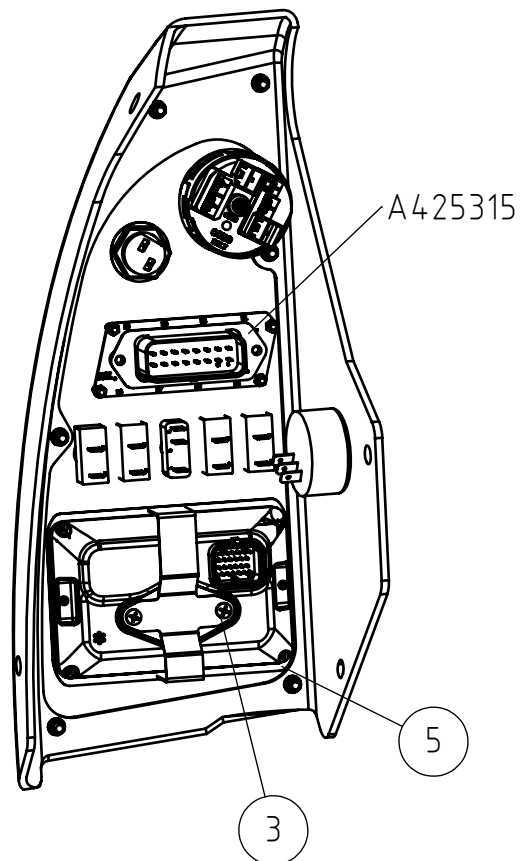
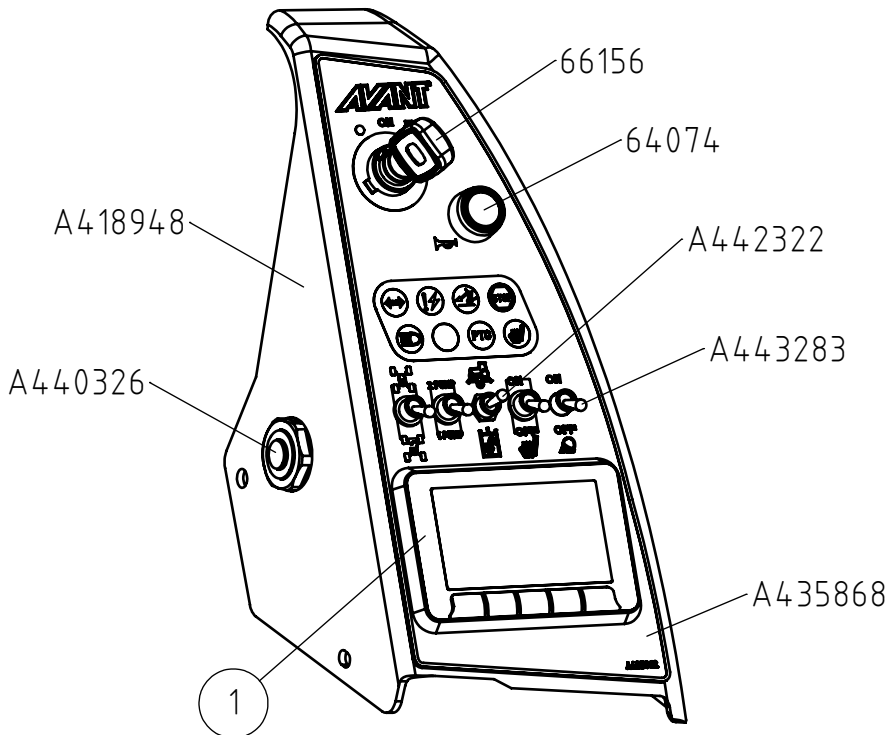


2.2.2024

**A48906 ROPS FRAME WITH FOPS CANOPY, 500 SERIES**

REF	PART NO	QTY	DESCRIPTION	NOTES	PAGE
1	A33900	1	ROPS FRAME 1040 MM 500 SERIES		-
2	A48905	1	FOPS CANOPY PLATE 500/600/700		-
3	A48909	1	CANOPY, SHORT, POLYCARBONATE (WITH FOPS)		-
4	74532	16	WASHER NORDLOCK NL12		-
5	73322	8	HEXAGONAL SCREW M12*40 DIN 931		-
6	72324	8	HEXAGONAL NUT M 12 NYLOC DIN 985		-
7	71681	10	WASHER M6 DIN 440		-
8	72119	5	HEXAGONAL SCREW M6*25 DIN 933 ZN		-
9	72318	5	HEXAGONAL NUT M 6 DIN 985 NYLOC		-
10	71685	12	WASHER M8 R9 DIN 440 ZN		-
11	72320	6	HEXAGONAL NUT M8 NYLOC DIN 985		-
12	72132	6	HEXAGONAL SCREW M 8*25 DIN 933 ZN		-

# A435860 DASHBOARD ASSEMBLY 700-800 ROPS



2.2.2024

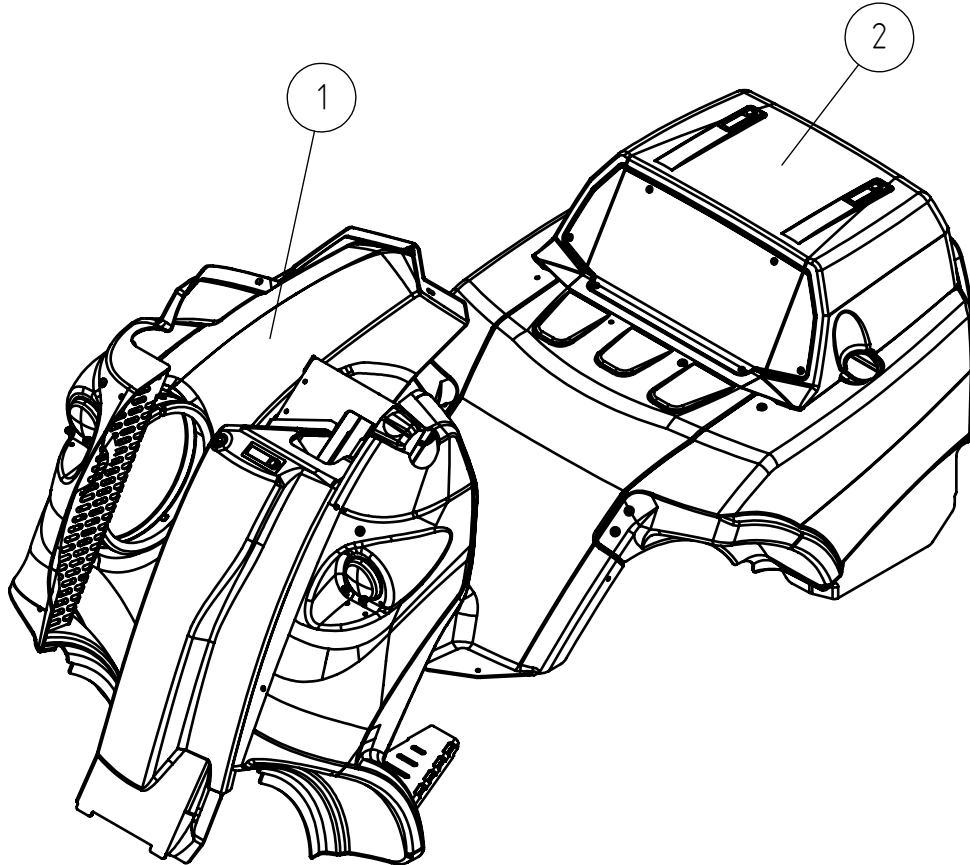
**A435860 DASHBOARD ASSEMBLY 700-800 ROPS**

REF	PART NO	QTY	DESCRIPTION	NOTES	PAGE
1	A428466	1	DISPLAY 4,3" COLOUR LED		-
2	A456497	1	DASHBOARD WITHOUT DISPLAY 523...8601		-
2.1	A436098	1	WIRE HARNESS DASHBOARD		-
2.2	A425315	1	INDICATOR LIGHTS DASHBOARD		-
2.3	A440326	1	ALARM BEEPER D28,5/D45 -H47		-
2.4	A418948	1	HOUSING PANEL ABS DASHBOARD		-
2.5	66156	1	IGNITION SWITCH 12V/30A/60A IP65 COBO		-
2.6	A442322	1	ROCKER SWITCH ON-OFF-MOM 3-POLE		-
2.7	A443283	4	TOGGLE SWITCH ON-OFF 2-POLE		-
2.8	64074	1	PUSH BUTTON F22,5 SIGNAL HORN		-
2.9	A435868	1	COVER DASHBOARD 700-800 STAGE 5		-
3	A431502	2	PAN HEAD MACHINE SCREW M4*8		-
4	A423587	1	MOUNTING PLATE DISPLAY		-
5	A436780	1	GROUNDING FRAME CANVIEW4 GAUGE PANEL		-

2.2.2024

---

# A451125 COVER PLATES, KIT, ABS 500-600 SERIES





2.2.2024

**A451125 COVER PLATES, KIT, ABS 500-600 SERIES**

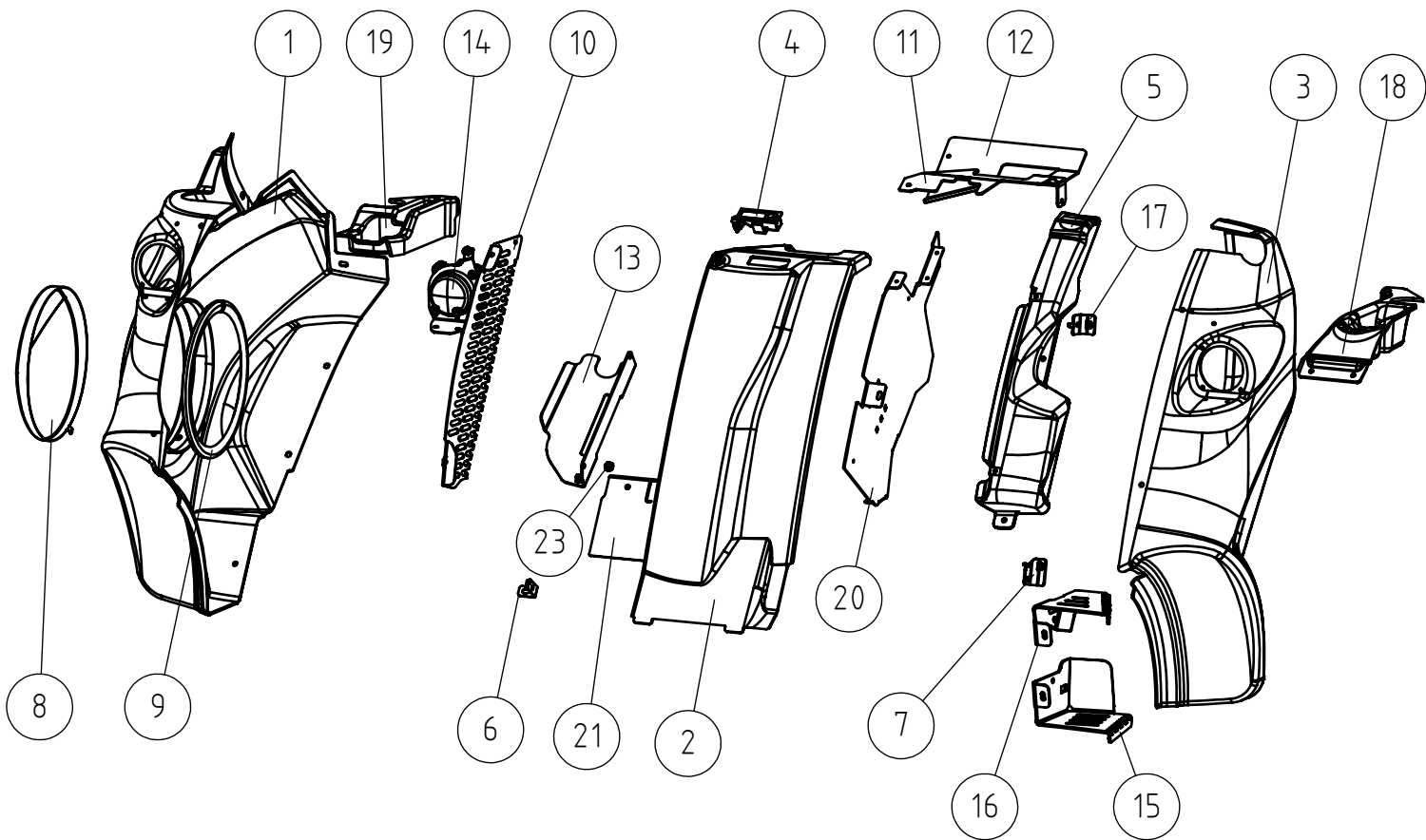
REF	PART NO	QTY	DESCRIPTION	NOTES	PAGE
1*	A446265	1	COVER PLATES FRONT FRAME ABS 500-700	ABS, ROPS	106
1**	A447754	1	COVER PLATES FRONT FRAME POLYCARBONATE	PC/HD (optional extra)	108
1***	A446009	1	COVER PLATES ABS FRONT FRAME CAB GT	ABS	110
2***	A446429	1	COVER PLATES REAR FRAME ABS, 645I/650I	ABS	116
2**	A451004	1	COVER PLATES REAR FRAME POLYCARBONATE	PC/HD (optional extra)	118
2****	A445950	1	MUDGUARDS REAR, PAIR, 645I/650I	Mudguards	120

104/236

2.2.2024

ABS, ROPS

# A446265 COVER PLATES FRONT FRAME ABS 500-700



2.2.2024

ABS, ROPS

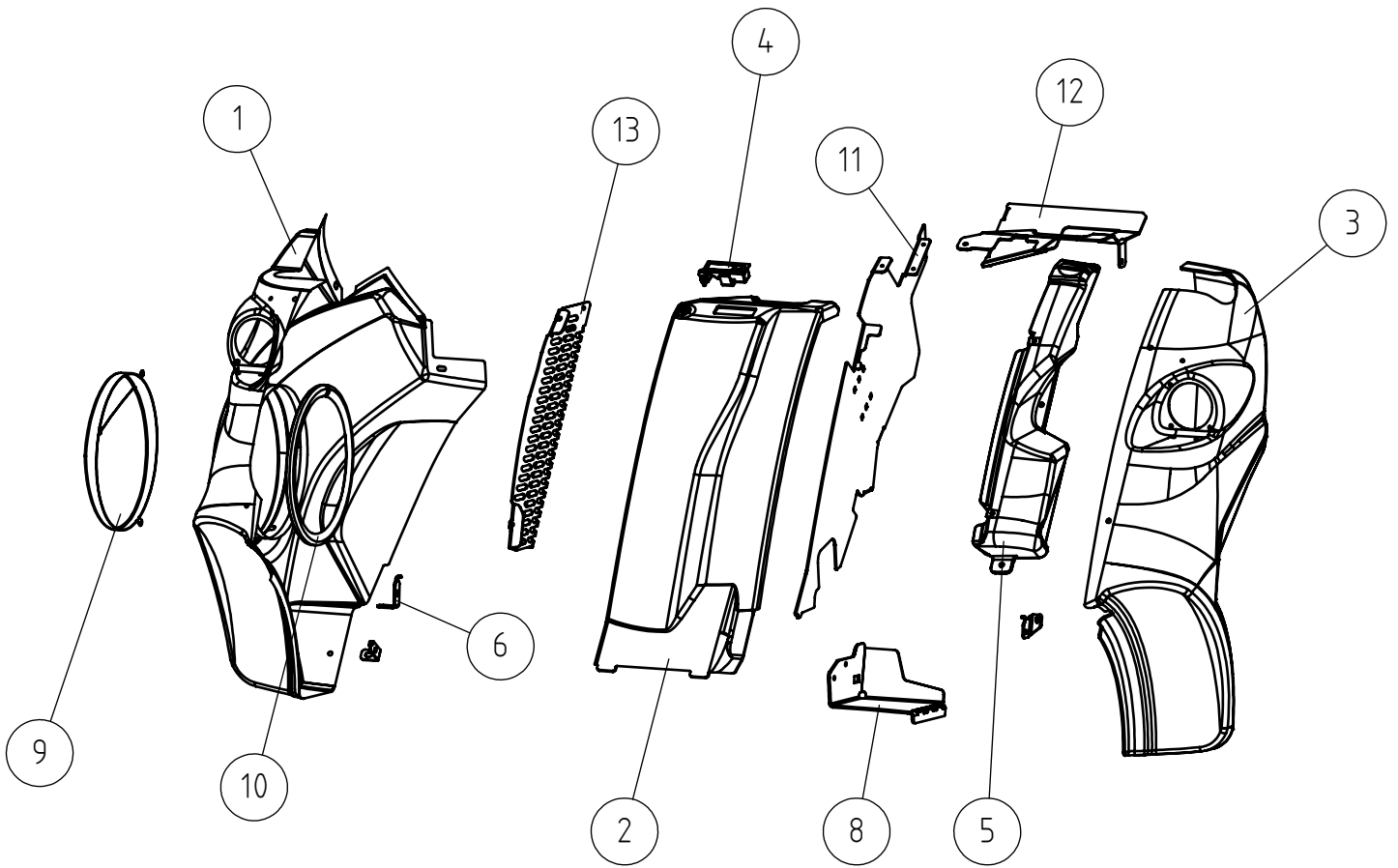
**A446265 COVER PLATES FRONT FRAME ABS 500-700**

REF	PART NO	QTY	DESCRIPTION	NOTES	PAGE
1	A446215	1	COVER PLATE FRONT RIGHT ABS 500-700		-
2	A445993	1	COVER PLATE FRONT ABS ROPS / GT 500-700		-
3	A446305	1	COVER PLATE FRONT LEFT ABS 500-700		-
4	65085	1	LATCH		-
5	A446048	1	MOUNTING BRACKET COVER PLATE FRONT LEFT		-
6	A446422	1	MOUNTING BRACKET SHORT COVER PLATE		-
7	A450748	1	MOUNTING BRACKET LEFT COVER PLATE		-
8	A431524	1	MESH HYDRAULIC OIL COOLER		-
9	A438435	1	EDGE BANDING, FAN 800 SERIES		-
10	A446221	1	MOUNTING BRACKET COVER PLATE FRONT RIGHT		-
11	A450610	1	MOUNTING BRACKET COVER PLATE FRONT		-
12	A445628	1	MOUNTING BRACKET COVER PLATE FRONT		-
13	A454142	1	MOUNTING BRACKET COVER PLATE FRONT RIGHT		-
14	A450770	1	WORK LIGHTS LED ON FRONT COVERS ASSEMBLY		114
15	A450071	1	STEP, MACHINE WITH ROPS		-
16	A450093	1	STEP, MACHINE WITH ROPS		-
17	A451440	1	MOUNTING BRACKET LEFT COVER PLATE		-
18	A434360	1	CUP HOLDER, LEFT		-
19	A431510	1	CUP HOLDER, RIGHT		-
20	A452905	1	SIDE PLATE		-
21	A452862	1	COVER PLATE DRIVE PEDALS AND ORBITROL		-
22	75069	2	COUPLING NUT M8 DIN 6334		-
23	A429197	2	HEXAGONAL SERRATED SCREW M8*12 W. FLANGE		-

2.2.2024

PC/HD (optional extra)

# A447754 COVER PLATES FRONT FRAME POLYCARBONATE



2.2.2024

PC/HD (optional extra)

**A447754 COVER PLATES FRONT FRAME POLYCARBONATE**

REF	PART NO	QTY	DESCRIPTION	NOTES	PAGE
1	A447753	1	COVER PLATE FRONT RIGHT POLYCARBONATE		-
2	A447751	1	COVER PLATE FRONT POLYKARBONAT ROPS / GT		-
3	A447752	1	COVER PLATE FRONT LEFT POLYCARBONATE		-
4	65085	1	LATCH		-
5	A446048	1	MOUNTING BRACKET COVER PLATE FRONT LEFT		-
6	A446422	2	MOUNTING BRACKET SHORT COVER PLATE		-
7	A446430	1	MOUNTING BRACKET LEFT COVER PLATE		-
8	A446412	1	STEP		-
9	A431524	1	MESH HYDRAULIC OIL COOLER		-
10	A438435	1	EDGE BANDING, FAN 800 SERIES		-
11	A445910	1	SIDE PLATE FRONT FRAME RIGHT 500-700		-
12	A445913	1	MOUNTING PLATE UPPER		-
13	A446221	1	MOUNTING BRACKET COVER PLATE FRONT RIGHT		-

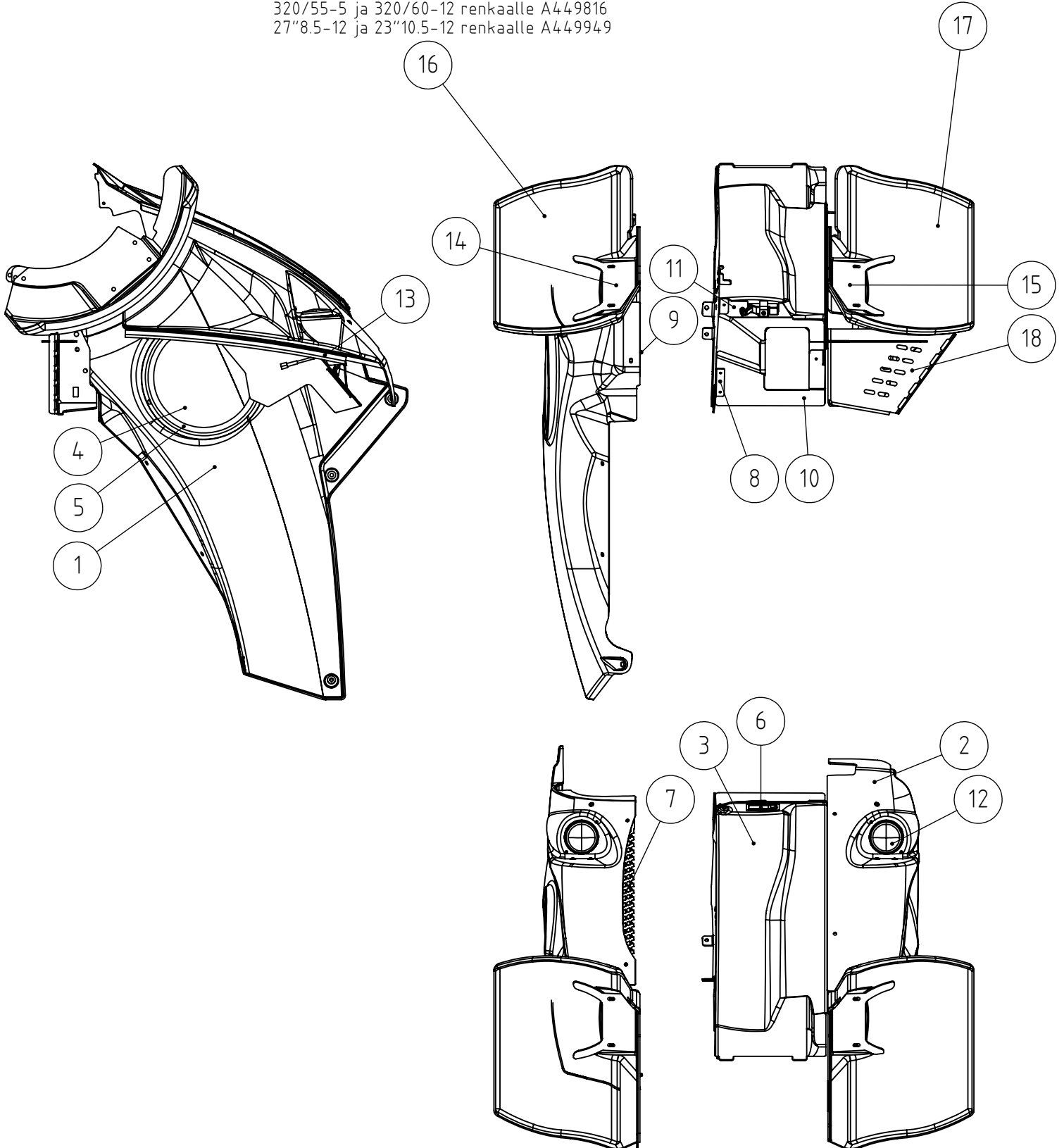
2.2.2024

ABS

**A446009 COVER PLATES ABS FRONT FRAME CAB GT**

400/50-15 renkaalle  
 320/55-5 ja 320/60-12 renkaalle A449816  
 27"8.5-12 ja 23"10.5-12 renkaalle A449949

400/50-15 renkaalle  
 320/55-5 ja 320/60-12 renkaalle A449817  
 27"8.5-12 ja 23"10.5-12 renkaalle A449950



2.2.2024

ABS

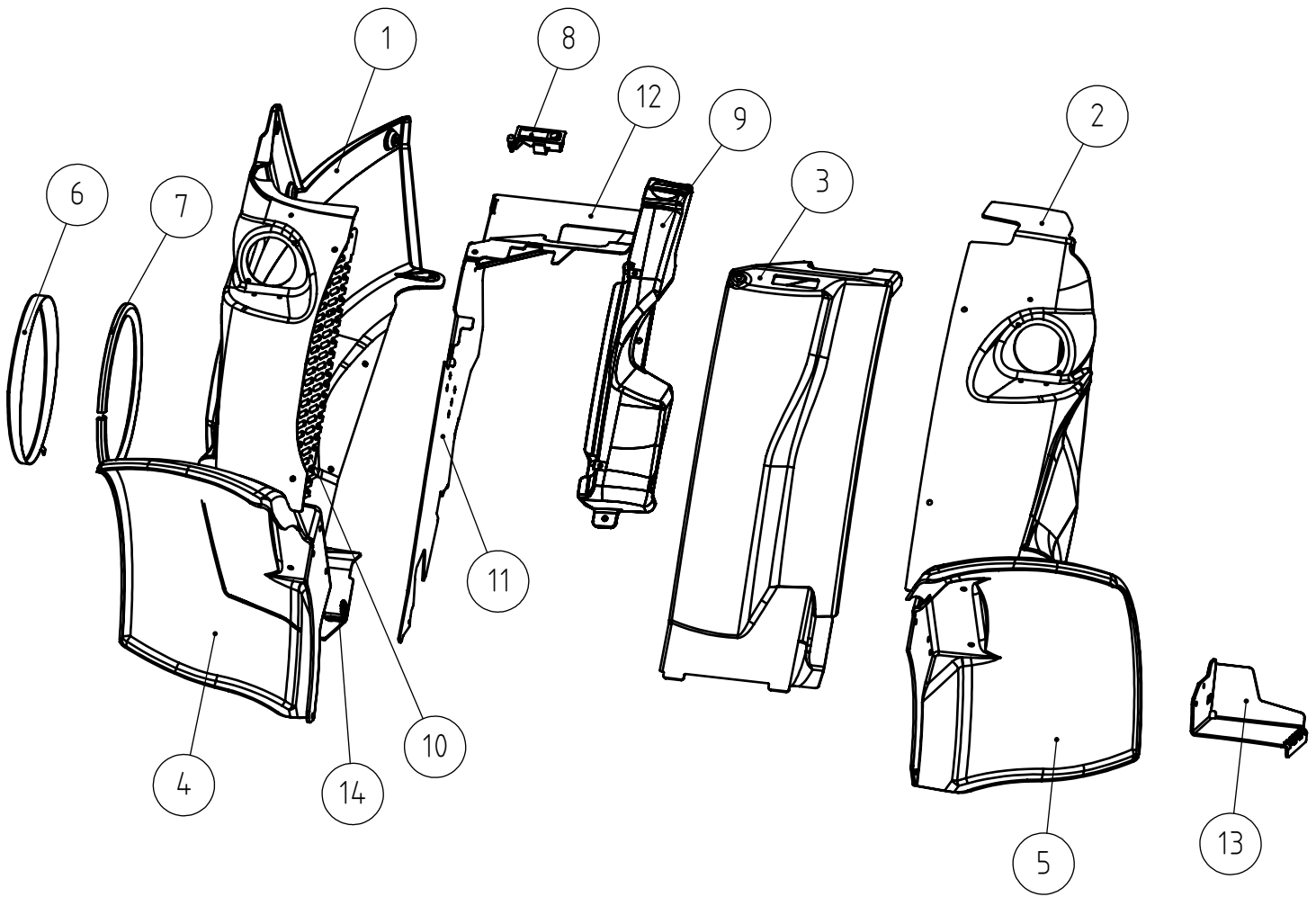
**A446009 COVER PLATES ABS FRONT FRAME CAB GT**

REF	PART NO	QTY	DESCRIPTION	NOTES	PAGE
1	A446515	1	COVER PLATE FRONT RIGHT ABS CAB GT		-
2	A445992	1	COVER PLATE FRONT LEFT ABS CAB GT		-
3	A445993	1	COVER PLATE FRONT ABS ROPS / GT 500-700		-
4	A431524	1	MESH HYDRAULIC OIL COOLER		-
5	A438435	1	EDGE BANDING, FAN 800 SERIES		-
6	65085	1	LATCH		-
7	A446221	1	MOUNTING BRACKET COVER PLATE FRONT RIGHT		-
8	A445910	1	SIDE PLATE FRONT FRAME RIGHT 500-700		-
9	A446440	1	MOUNTING BRACKET LOWER COVER PLATE FRONT		-
10	A445628	1	MOUNTING BRACKET COVER PLATE FRONT		-
11	A450610	1	MOUNTING BRACKET COVER PLATE FRONT		-
12	A450770	1	WORK LIGHTS LED ON FRONT COVERS ASSEMBLY		114
13	A439852	1	FLIPPER GASKET SINGLE RUBBER L=620 COVER		-
14	A420823	1	BRACKET RIGHT MUDGUARD		-
15	A420824	1	BRACKET LEFT MUDGUARD		-
16	A420821	1	MUDGUARD, FRONT, RIGHT 700 SER 400/50-15		-
17	A420822	1	MUDGUARD, FRONT, LEFT 700 SER 400/50-15		-
18	A451536	1	STEP CAB GT		-

2.2.2024

PC/HD (optional extra)

# A447757 COVER PLATES HD POLYCARBONATE FRONT





2.2.2024

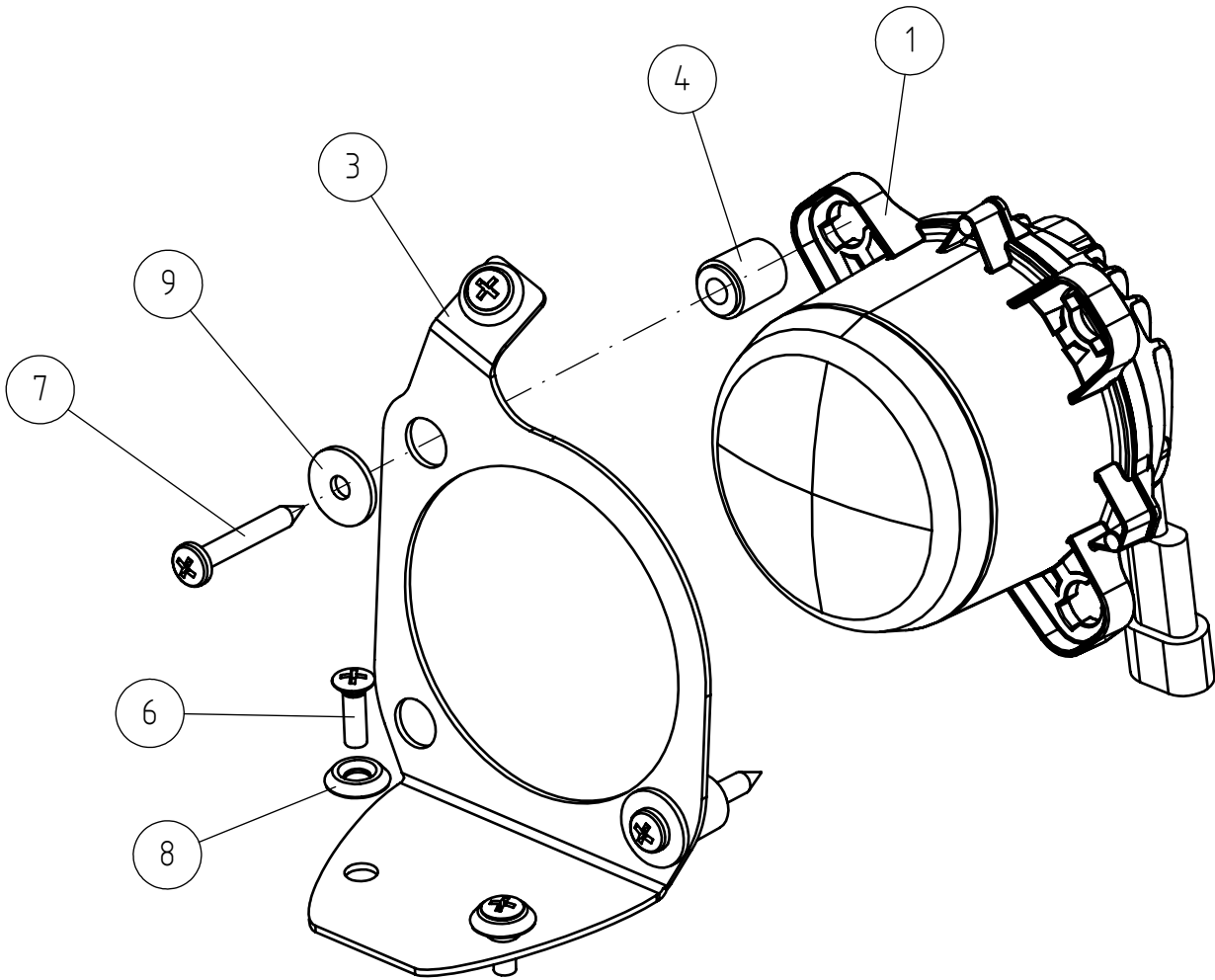
PC/HD (optional extra)

**A447757 COVER PLATES HD POLYCARBONATE FRONT**

REF	PART NO	QTY	DESCRIPTION	NOTES	PAGE
1	A447750	1			-
2	A447748	1			-
3	A447751	1	COVER PLATE FRONT POLYKARBONAT ROPS / GT		-
4	A420821	1	MUDGUARD, FRONT, RIGHT 700 SER 400/50-15		-
5	A420822	1	MUDGUARD, FRONT, LEFT 700 SER 400/50-15		-
6	A431524	1	MESH HYDRAULIC OIL COOLER		-
7	A438435	1	EDGE BANDING, FAN 800 SERIES		-
8	65085	1	LATCH		-
9	A446048	2	MOUNTING BRACKET COVER PLATE FRONT LEFT		-
10	A446221	1	MOUNTING BRACKET COVER PLATE FRONT RIGHT		-
11	A445910	1	SIDE PLATE FRONT FRAME RIGHT 500-700		-
12	A445913	1	MOUNTING PLATE UPPER		-
13	A446412	1	STEP		-
14	A446440	1	MOUNTING BRACKET LOWER COVER PLATE FRONT		-

2.2.2024

# A450770 WORK LIGHTS LED ON FRONT COVERS ASSEMBLY



2.2.2024

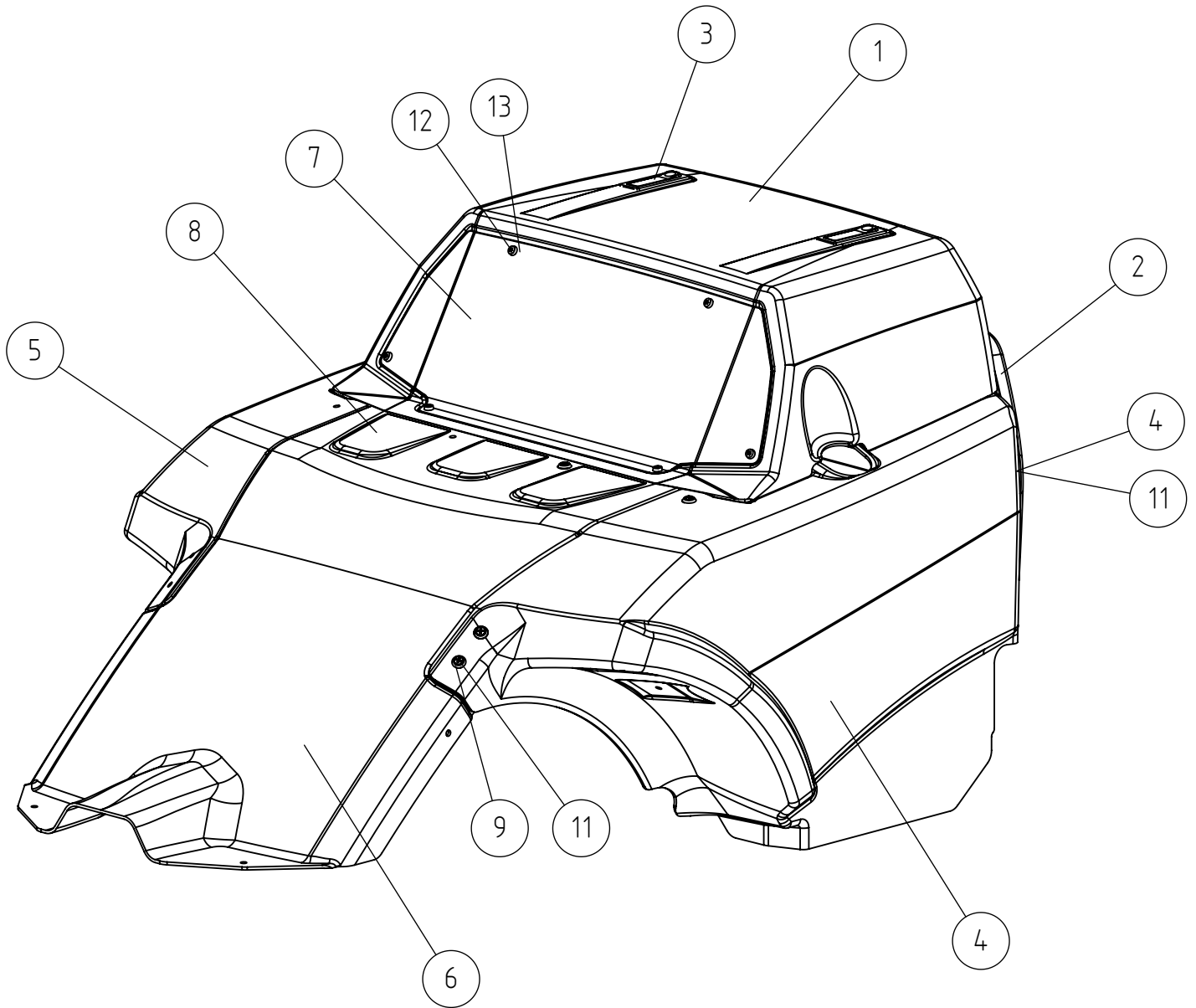
**A450770 WORK LIGHTS LED ON FRONT COVERS ASSEMBLY**

REF	PART NO	QTY	DESCRIPTION	NOTES	PAGE
1	A441777	2	WORK LIGHT LED 1000 LUMEN 12V		-
2	A450528	1	MOUNTING BRACKET RIGHT WORK LIGHT LED		-
3	A450553	1	MOUNTING BRACKET LEFT WORK LIGHT LED		-
4	A450763	4	BUSHING FRONT LIGHT		-
5	A436960	1	WIRE HARNESS WORK LIGHTS FRONT		-
6	74767	6	RAISED COUNTERSUNK HEAD SCREW M6*20		-
7	A461980	4	SCREW 6X45		-
8	A422221	6	WASHER M6 GREEN PLASTIC, ANALOG FOR		-
9	71681	4	WASHER M6 DIN 440		-

2.2.2024

ABS

**A446429 COVER PLATES REAR FRAME ABS, 645I/650I**



2.2.2024

ABS

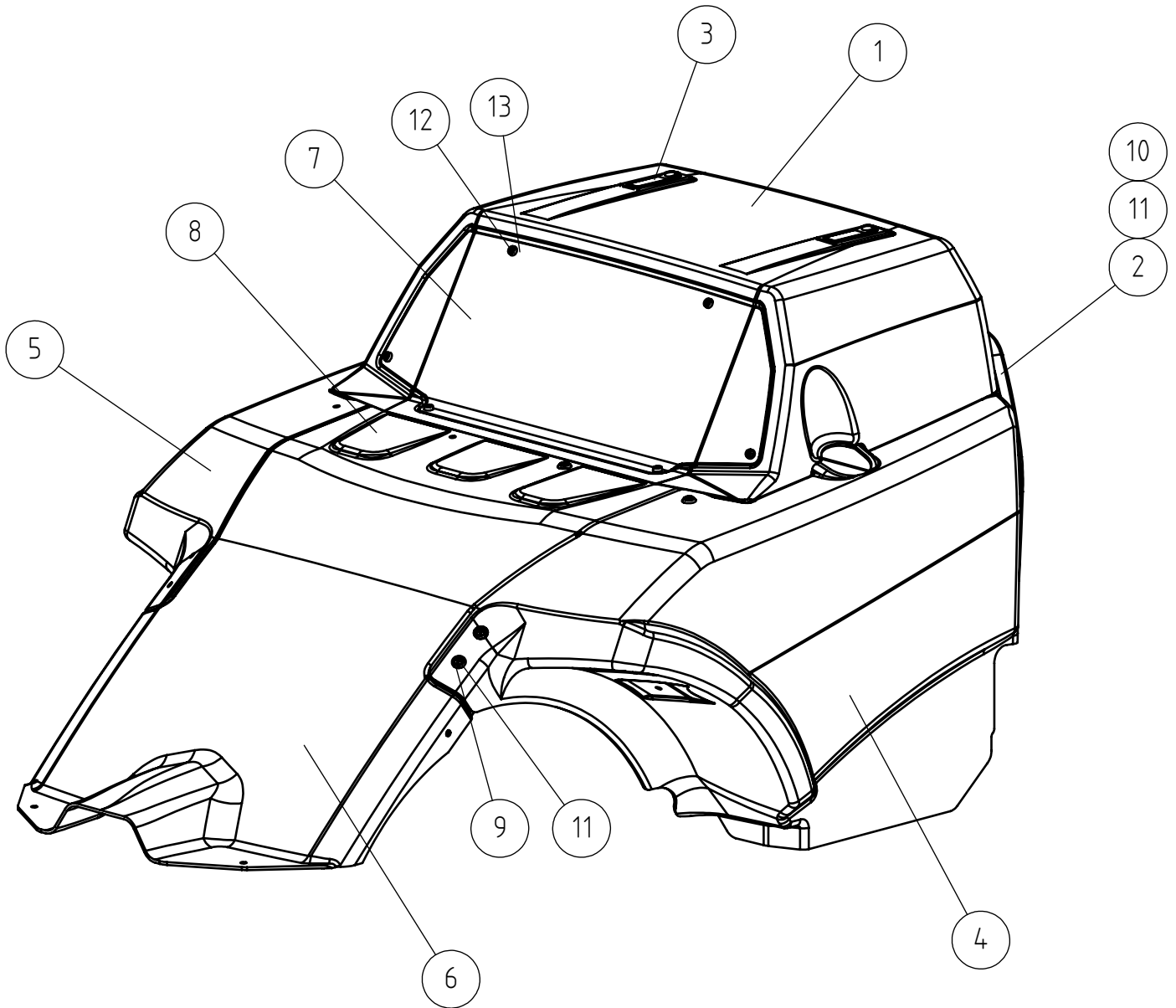
**A446429 COVER PLATES REAR FRAME ABS, 645I/650I**

REF	PART NO	QTY	DESCRIPTION	NOTES	PAGE
1	A446411	1	COVER PLATE ENGINE, ABS, 645I/650I		-
2	A446056	1	REAR GRILLE 600 SERIES		-
3	65085	2	LATCH		-
4	A446527	1	COVER PLATE REAR LEFT ABS, 645I/650I		-
5	A446536	1	COVER PLATE REAR RIGHT ABS, 645I/650I		-
6	A446535	1	COVER PLATE REAR FRONT ABS, 645I/650I		-
7	A446779	1	FRONT MESH, COVER PLATE ENGINE 645I/650I		-
8	A439798	1	HEAT SHIELD ON REAR COVER PLATE 700/800		-
9	A422221	4	WASHER M6 GREEN PLASTIC, ANALOG FOR		-
10	74768	4	WASHER CONICAL M6		-
11	74767	8	RAISED COUNTERSUNK HEAD SCREW M6*20		-
12	A437544	6	THREAD-FORMING SCREW BLACK M6*16 DIN		-
13	74781	6	HEXAGONAL NUT M6 WITH FLANGE		-

2.2.2024

PC/HD (optional extra)

# A451004 COVER PLATES REAR FRAME POLYCARBONATE



2.2.2024

PC/HD (optional extra)

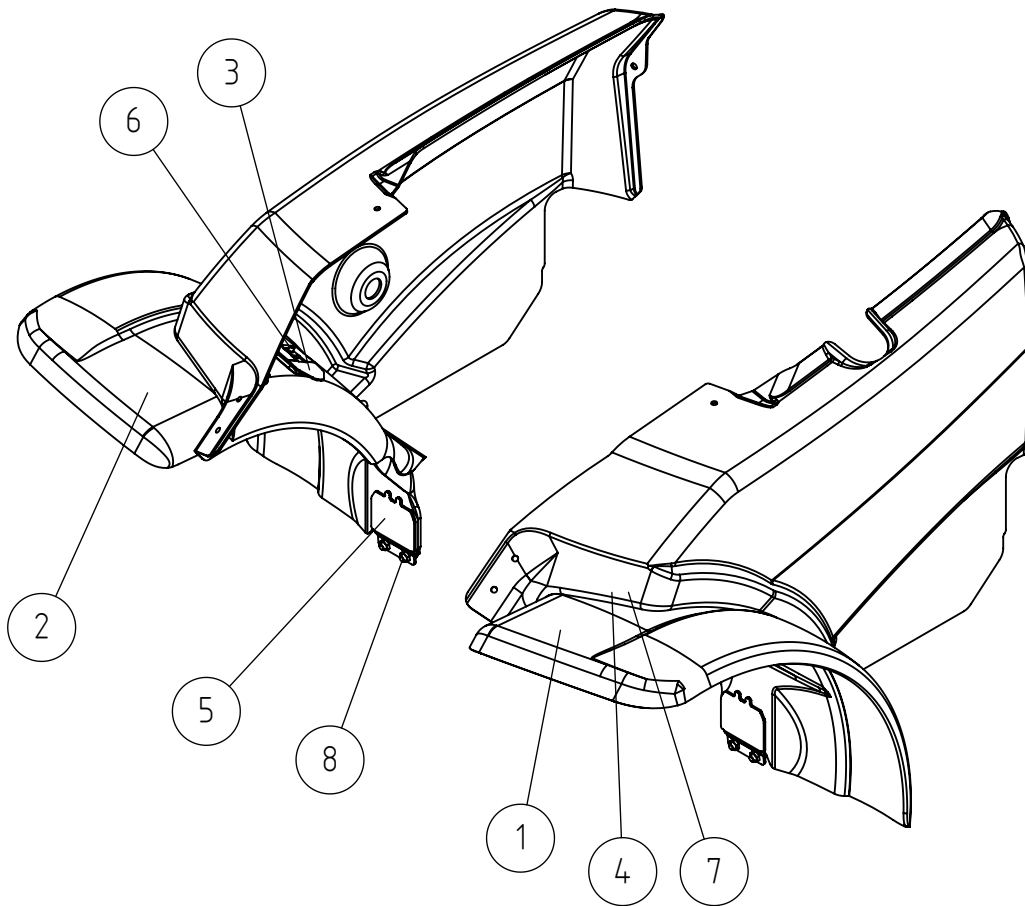
**A451004 COVER PLATES REAR FRAME POLYCARBONATE**

REF	PART NO	QTY	DESCRIPTION	NOTES	PAGE
1	A446574	1	COVER PLATE ENGINE, POLYCARBONATE		-
2	A446056	1	REAR GRILLE 600 SERIES		-
3	65085	2	LATCH		-
4	A446575	1	COVER PLATE POLYCARB REAR LEFT 645I/650I		-
5	A446576	1	COVER PLATE POLYCARB REAR RIGHT		-
6	A446535	1	COVER PLATE REAR FRONT ABS, 645I/650I		-
7	A446779	1	FRONT MESH, COVER PLATE ENGINE 645I/650I		-
8	A439798	1	HEAT SHIELD ON REAR COVER PLATE 700/800		-
9	A422221	4	WASHER M6 GREEN PLASTIC, ANALOG FOR		-
10	74768	4	WASHER CONICAL M6		-
11	74767	8	RAISED COUNTERSUNK HEAD SCREW M6*20		-
12	A437544	6	THREAD-FORMING SCREW BLACK M6*16 DIN		-
13	74781	6	HEXAGONAL NUT M6 WITH FLANGE		-

2.2.2024

Mudguards

# A445950 MUDGUARDS REAR, PAIR, 645I/650I





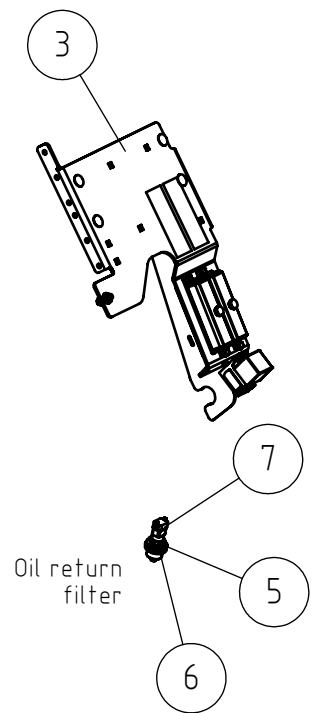
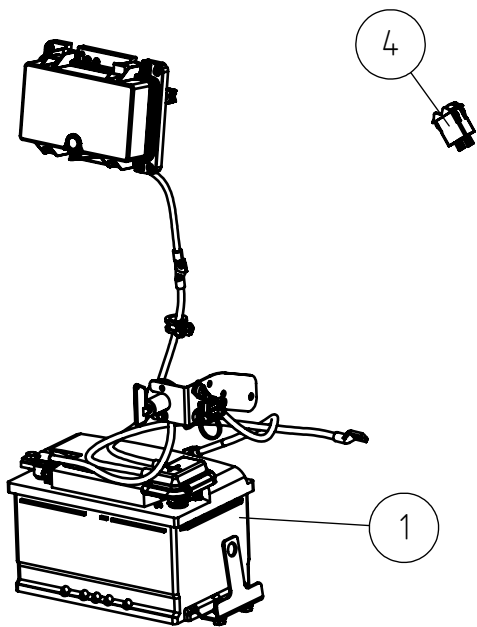
2.2.2024

Mudguards

**A445950 MUDGUARDS REAR, PAIR, 645I/650I**

REF	PART NO	QTY	DESCRIPTION	NOTES	PAGE
1	A446578	1	MUDGUARD REAR LEFT		-
2	A446684	1	MUDGUARD REAR RIGHT		-
3	A438480	2	MOUNTING BRACKET MUDGUARD		-
4	A437485	4	MOUNTING PLATE REAR MUDGUARD		-
5	A446663	2	MOUNTING BRACKET MUDGUARD REAR		-
6	74807	4	SPEED NUT M6, FOR 0.5-4.0 MM PLATE		-
7	A431349	4	HEXAGONAL SERRATED SCREW M6*20 W. FLANG		-
8	A429201	4	HEXAGONAL SERRATED SCREW M8*20 WITH		-

# A461555 ELECTRIC COMPONENTS 528-640 SER3 KUBOTA

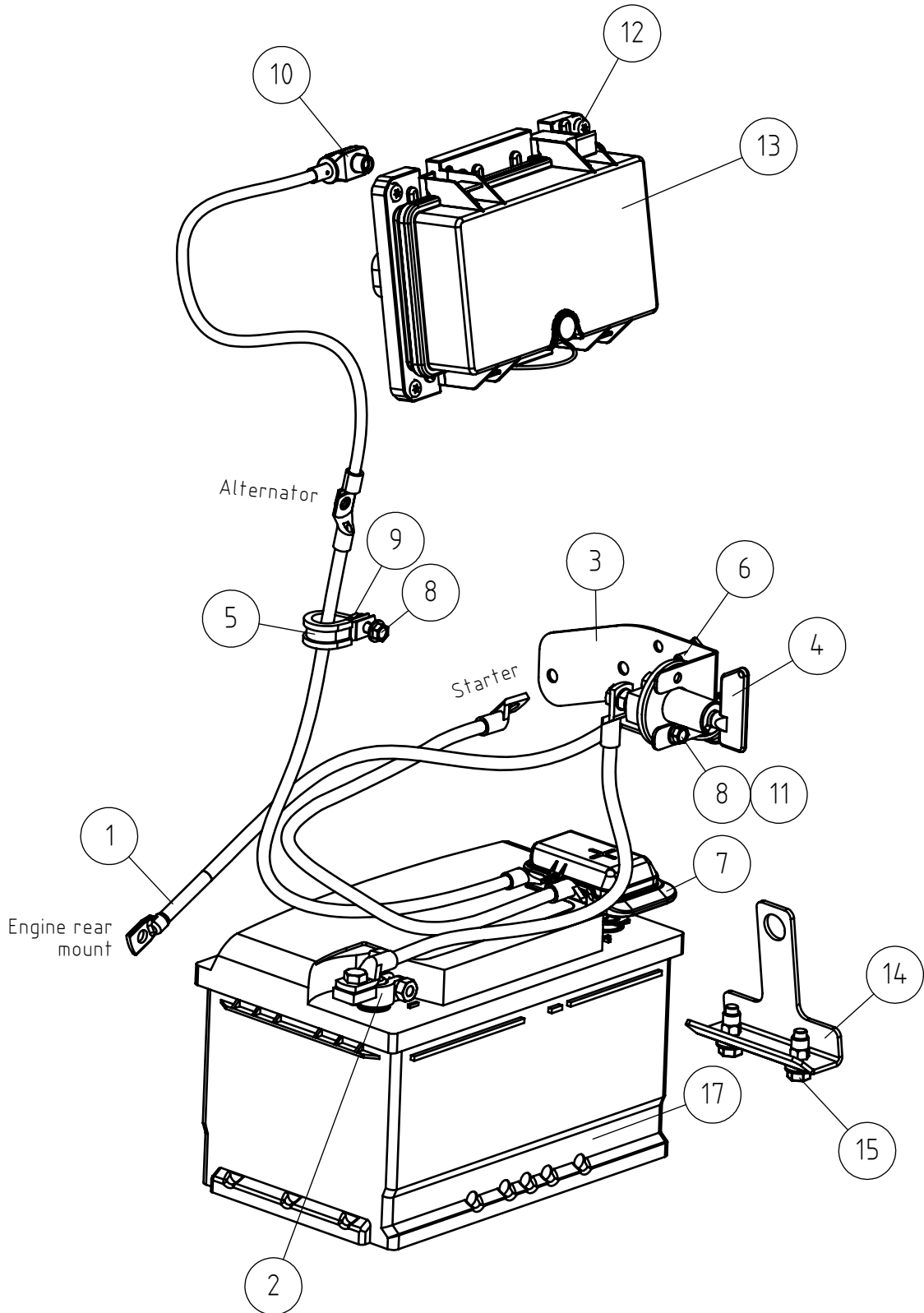


2.2.2024

**A461555 ELECTRIC COMPONENTS 528-640 SER3 KUBOTA**

REF	PART NO	QTY	DESCRIPTION	NOTES	PAGE
1	A460836	1	POWER SUPPLY ASSEMBLY 528-640 KUBOTA		124
2	A455777	1	WIRE HARNESS MAIN 528-755I, 850		-
3	A453565	1	VECU & FUSE BOXES ON MOUNTING BRACKET		126
4	A442040	1	SWITCH PARKING BRAKE		-
5	A438517	1	FITTING G1/2" => M12*1,5		-
6	73047	1	USIT SEAL RING R/12"		-
7	A433798	1	TEMPERATURE SENSOR TF-W		-

# A460836 POWER SUPPLY ASSEMBLY 528-640 KUBOTA



2.2.2024

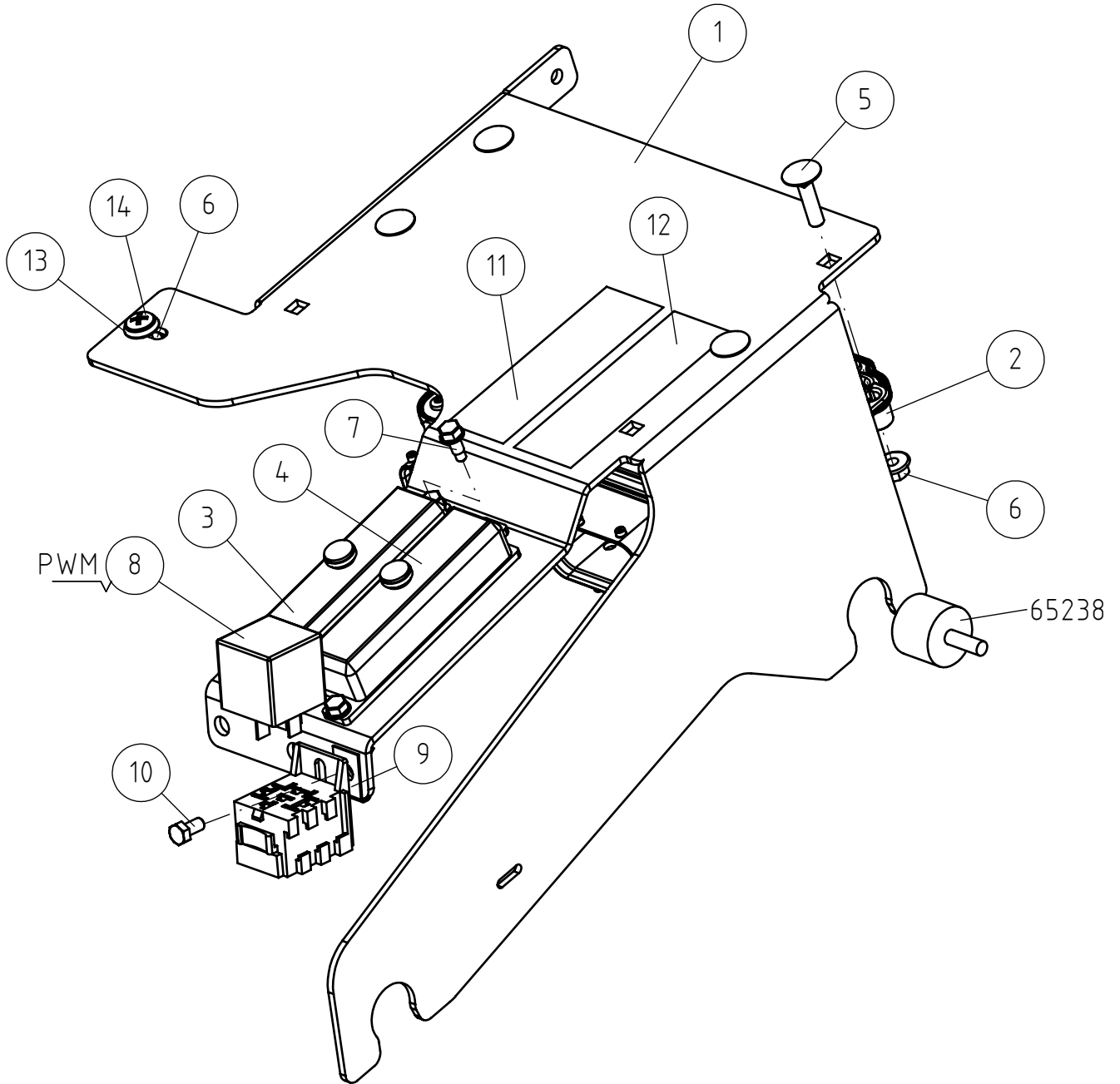
**A460836 POWER SUPPLY ASSEMBLY 528-640 KUBOTA**

REF	PART NO	QTY	DESCRIPTION	NOTES	PAGE
1	A420907	1	BATTERY CABLE, BLACK, L=650		-
2	A452834	1	BATTERY CABLE BLACK ASSEMBLY		-
3	A450981	1	MOUNTING BRACKET BATTERY DISCONNECT		-
4	64141	1	BATTERY DISCONNECT SWITCH 28V/100A		-
4.1	64394	1	KEY, BATTERY DISCONNECT SWITCH C-180216		-
5	74572	1	PIPE CLAMP F19 MM		-
6	A442270	1	THREAD-FORMING SCREW M8*16 DIN 7500C		-
7	A437903	1	BATTERY TERMINAL WITH 2 WIRES + FUSE		-
7.1	A437905	1	FUSE 100A 70V		-
8	A431349	2	HEXAGONAL SERRATED SCREW M6*20 W. FLANG		-
9	74781	1	HEXAGONAL NUT M6 WITH FLANGE		-
10	A457080	1	CABLE L=400 25MM2 RED		-
11	A452923	1	HEXAGONAL NUT M6 DIN 6923		-
12	A437544	4	THREAD-FORMING SCREW BLACK M6*16 DIN		-
13	A446183	1	POWER DISTRIBUTION UNIT MEDIUM+ KUBOTA		-
14	A437653	1	BRACKET, BATTERY 700-800 SER		-
15	A429202	2	HEXAGONAL SERRATED SCREW M8*25 WITH FLAN		-
16	A461103	1	CABLE TIE 4,6*165 BLACK		-
17	A450364	1	BATTERY 12V 72AH 720A	smaller 64844 (60Ah)	-

124/236

2.2.2024

# A453565 VECU & FUSE BOXES ON MOUNTING BRACKET



2.2.2024

**A453565 VECU & FUSE BOXES ON MOUNTING BRACKET**

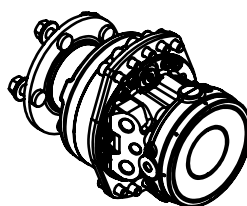
REF	PART NO	QTY	DESCRIPTION	NOTES	PAGE
1	A452909	1	MOUNTING BRACKET VECU / FUSE BOXES		-
2	A433527	1	ELECTRONIC CONTROL UNIT ECU		-
3	A442064	1	FUSE BOX 1 ASSEMBLY 700/800 SERIES		-
4	A442243	1	FUSE BOX 2 ASSEMBLY 700/800 SERIES		-
5	75167	4	CARRIAGE BOLT M6*25 DIN603		-
6	A452923	5	HEXAGONAL NUT M6 DIN 6923		-
7	A451996	4	SELF-DRILLING SCREW 4,8*13 DIN 7504-K		-
8	A439100	1	RELAY SOLID STATE 15A		-
9	75172	1	SPEED NUT M5 FOR 0.5-4.0 MM PLATE		-
10	75160	1	HEXAGONAL SCREW M5*10 DIN 933		-
11	A438877	1	DECAL FUSE BOX 1 700/800 SERIES		-
12	A438879	1	DECAL FUSE BOX 2 700/800 SERIES		-
13	74768	1	WASHER CONICAL M6		-
14	74767	1	RAISED COUNTERSUNK HEAD SCREW M6*20		-

2.2.2024

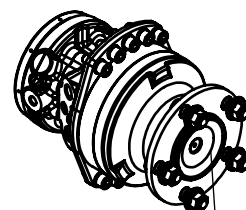
Avant 528 (1 speed)

# A445134 HYDRAULIC MOTOR ASSEMBLY 364 CCM POCLAIN

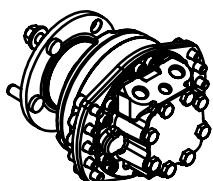
OIKEA TAKAMOOTTORI  
Right rear drivemotor



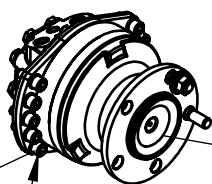
VASEN TAKAMOOTTORI  
Left rear drivemotor



OIKEA ETUMOOTTORI  
Right front drivemotor



VASEN ETUMOOTTORI  
Left front drivemotor



2

4 3

1

M12 8.8  
Kiristysmomentti  
Tightening torque  
91Nm  
Kierrelukite  
Threadlocking compound



2.2.2024

Avant 528 (1 speed)

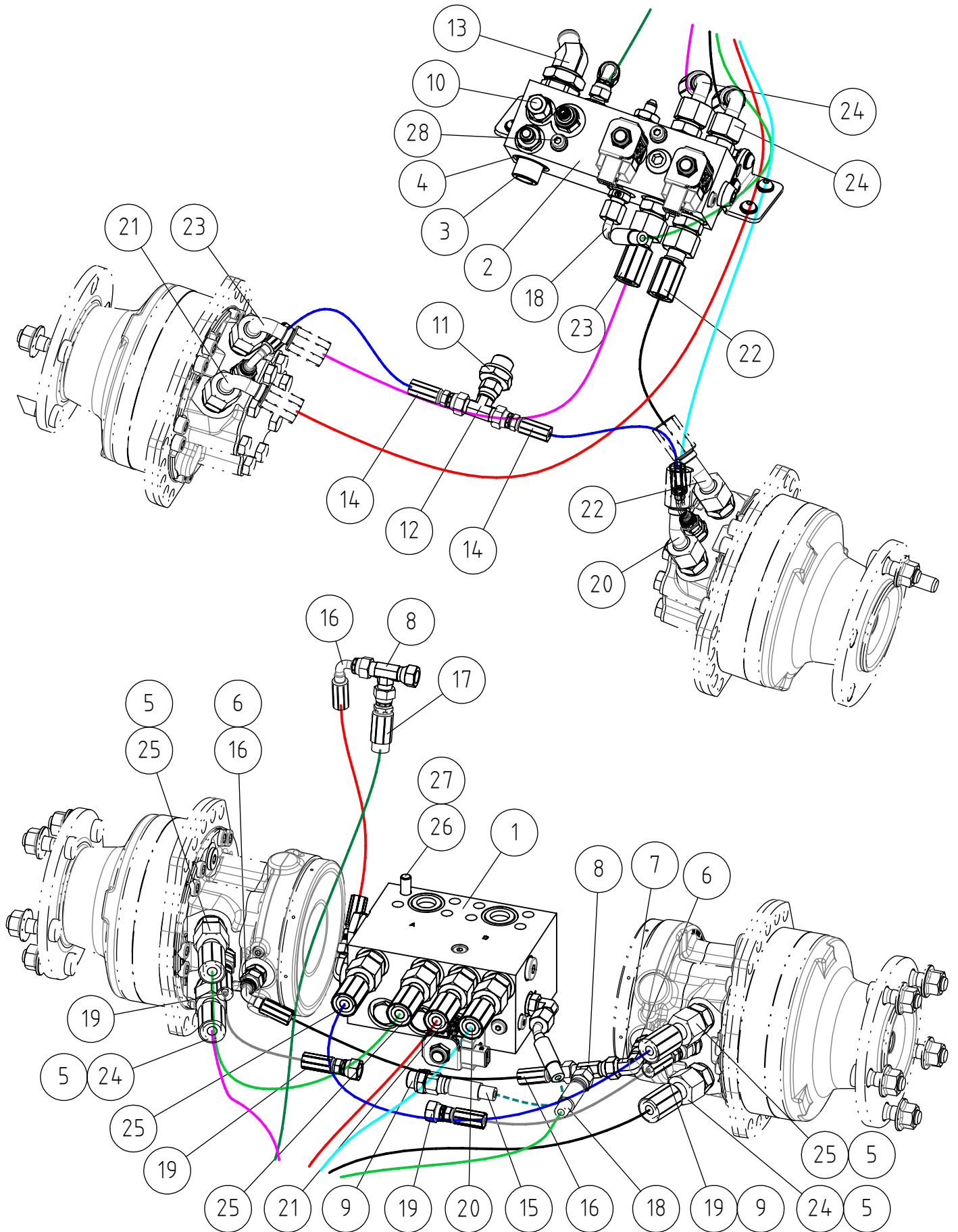
**A445134 HYDRAULIC MOTOR ASSEMBLY 364 CCM POCLAIN**

REF	PART NO	QTY	DESCRIPTION	NOTES	PAGE
1	66011	2	HYDRAULIC MOTOR MSE02 364CCM		-
2	66012	2	HYDRAULIC MOTOR B MSE02 364CCM, W. BRAKE		-
3	74846	40	HEXAGONAL HEAD SCREW M12*30 DIN912		-
4	74532	40	WASHER NORDLOCK NL12		-

2.2.2024

Avant 528 (1 speed)

# A451431 HYDR. HOSES DRIVE 500-600 SERIES 1-SPEED



2.2.2024

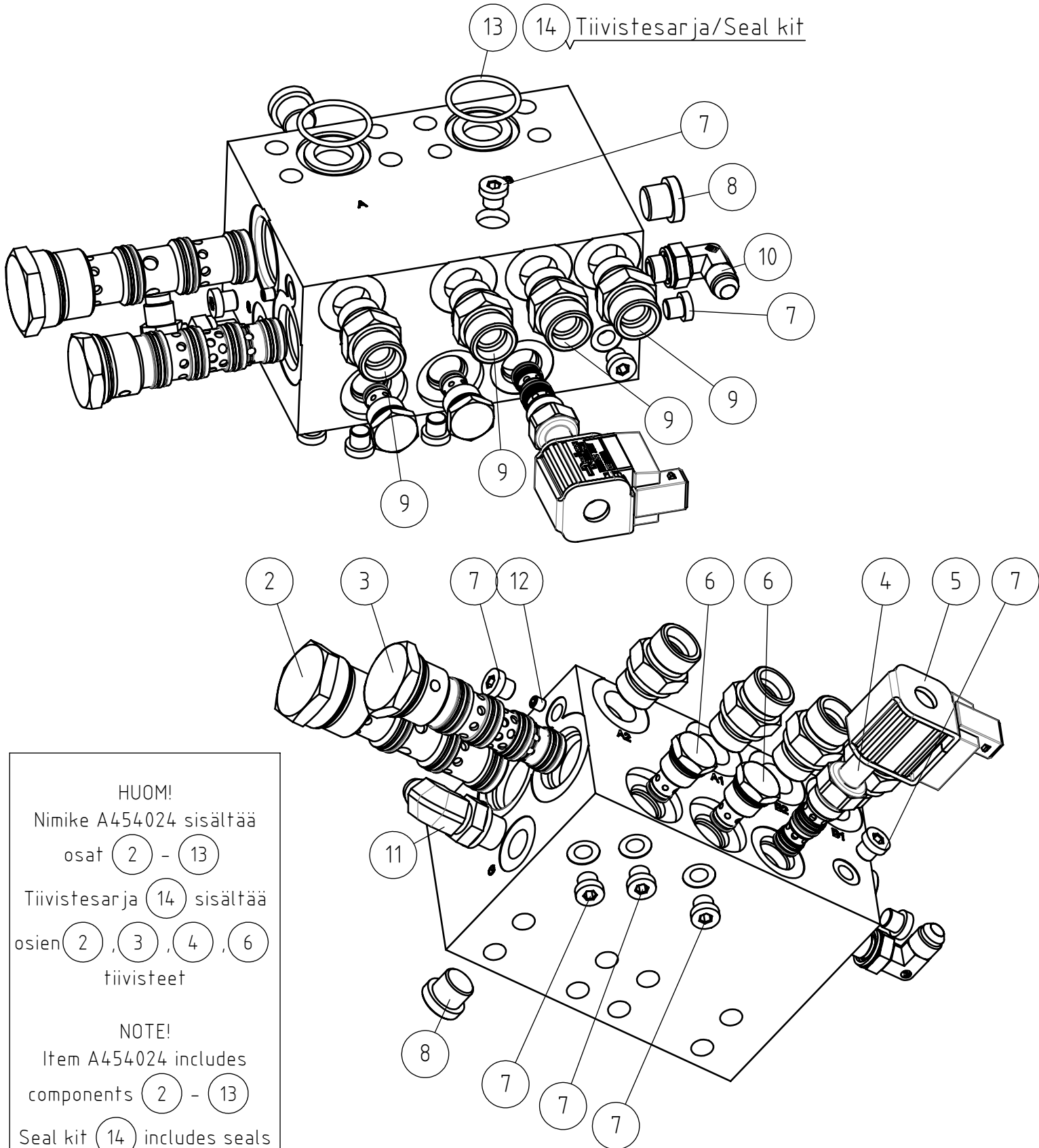
Avant 528 (1 speed)

**A451431 HYDR. HOSES DRIVE 500-600 SERIES 1-SPEED**

REF	PART NO	QTY	DESCRIPTION	NOTES	PAGE
1	A454024	1	HYDRAULIC MANIFOLD ANTI SLIP VALVE		132
2	A454023	1	HYDRAULIC MANIFOLD 1-SPEED DRIVE RELEASE		134
3	A421825	1	BANJO BOLT, HYDR. MANIFOLD		-
4	75112	2	O-RING NBR F 32,99*2,62 90SH		-
5	A449892	8	BASIC FITTING G1/2" M24*1,5		-
6	64059	2	BASIC FITTING F40XS10-1/4		-
7	64043	1	ELBOW FITTING 90° C6XS10		-
8	64078	2	L-FITTING BODY R6XS10		-
9	64041	5	BASIC FITTING F40XS10-3/8 /8		-
10	64232	1	FITTING HEAD FNTXS10		-
11	64040	1	BASIC FITTING F40XS10-1/2 /2		-
12	64070	1	T FITTING S6XS10		-
13	66361	1	HOSE BARB 45° R3/4"UK - 20MM		-
14	A410165	2	HYDR. HOSE L=300		-
15	A429297	1	HYDR. HOSE L=250		-
16	A410094	2	HYDR. HOSE L=350		-
17	A422996	1	HYDR. HOSE L=1130		-
18	A410093	1	HYDR. HOSE L=1200		-
19	A428535	2	HYDR. HOSE L=350		-
20	A451433	1	HYDR. HOSE L=1330		-
21	A451432	1	HYDR. HOSE L=1660		-
22	A451297	1	HYDR. HOSE L=330		-
23	A451295	1	HYDR. HOSE L=630		-
24	A451435	2	HYDR. HOSE L=1020		-
25	A451302	2	HYDR. HOSE L=620		-
26	75141	8	HEXAGONAL HEAD SCREW M10*110 DIN912 12.9		-
27	A434424	8	SAFETY WASHER M10 3/8"		-
28	A37332	1	MOUNTING PLATE HYDRAULIC MANIFOLD, ASSEM		-

2.2.2024

# A454024 HYDRAULIC MANIFOLD ANTI SLIP VALVE



**HUOM!**  
 Nimike A454024 sisältää osat (2) - (13)  
 Tiivistesarja (14) sisältää osien (2), (3), (4), (6) tiivisteet

**NOTE!**  
 Item A454024 includes components (2) - (13)  
 Seal kit (14) includes seals for components (2), (3), (4), (6)

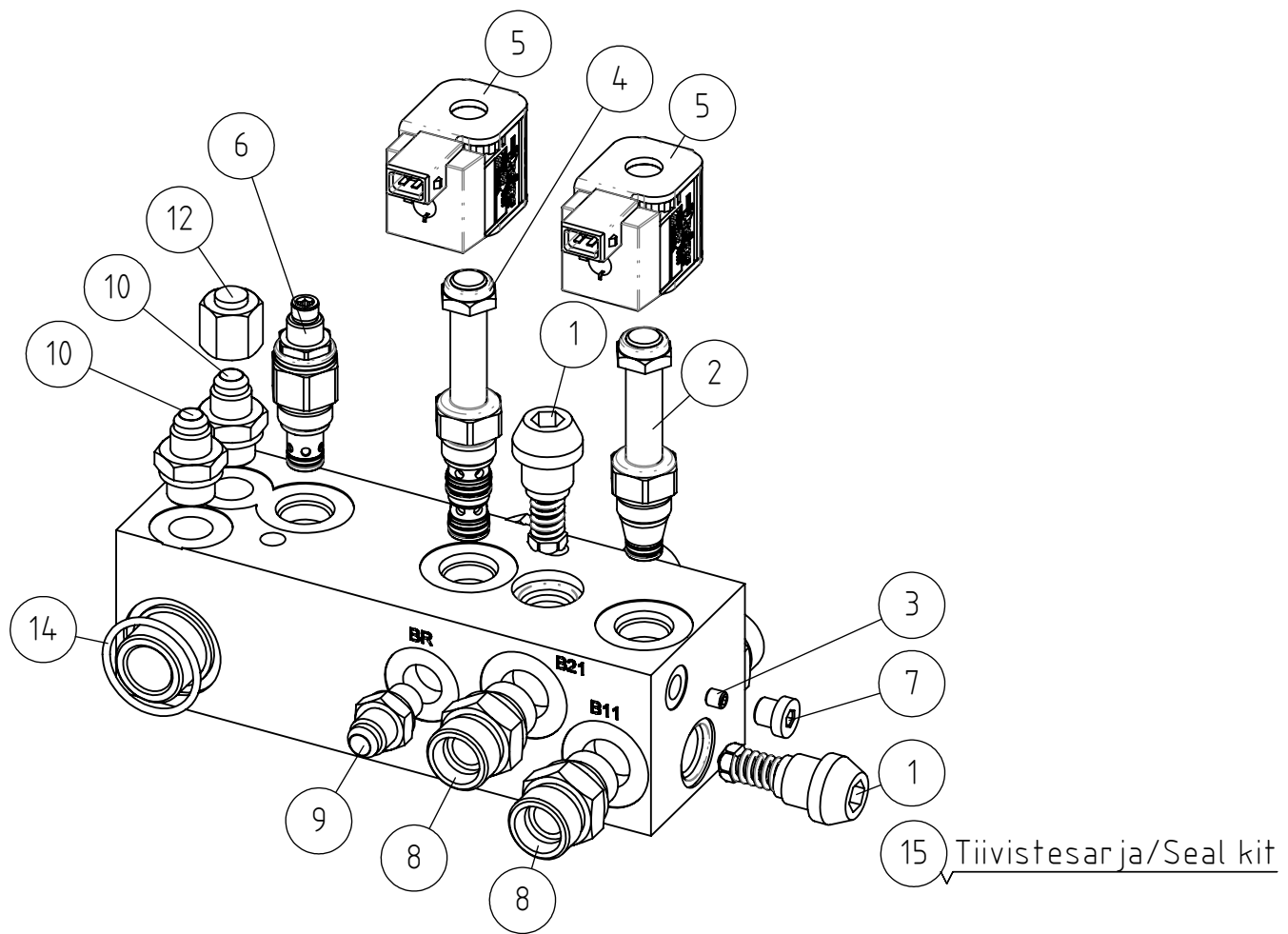
2.2.2024

**A454024 HYDRAULIC MANIFOLD ANTI SLIP VALVE**

REF	PART NO	QTY	DESCRIPTION	NOTES	PAGE
1	A454024	1	HYDRAULIC MANIFOLD ANTI SLIP VALVE		132
2	A428742	1	FLOW DIVIDER VALVE CARTRIDGE 420BAR		-
3	A428740	1	DIVERTER VALVE CARTRIDGE 420BAR		-
4	A428584	1	VALVE CARTRIDGE SPOOL VALVE 3/2		-
5	66452	1	SOLENOID 12VDC/19W		-
6	A428743	2	CHECK VALVE CARTRIDGE 420BAR		-
7	64407	7	HEXAGONAL PLUG R 1/8" WITH PACKING		-
8	74411	2	HEXAGONAL PLUG HF 3/8" HTUNG		-
9	A449892	4	BASIC FITTING G1/2" M24*1,5		-
10	64087	1	ELBOW FITTING 90 DEGR. /4#		-
11	64044	1	ELBOW FITTING 90° C40XS10-3/8 /8		-
12	A428739	1	FLOW RESTRICTOR M6/0,7MM		-
13	75113	2	O-RING NBR F 31,42*2,62 90SH		-
14	A428795	1	SEAL KIT HYDRAULIC MANIFOLD A421617		-

2.2.2024

# A454023 HYDRAULIC MANIFOLD 1-SPEED DRIVE RELEASE

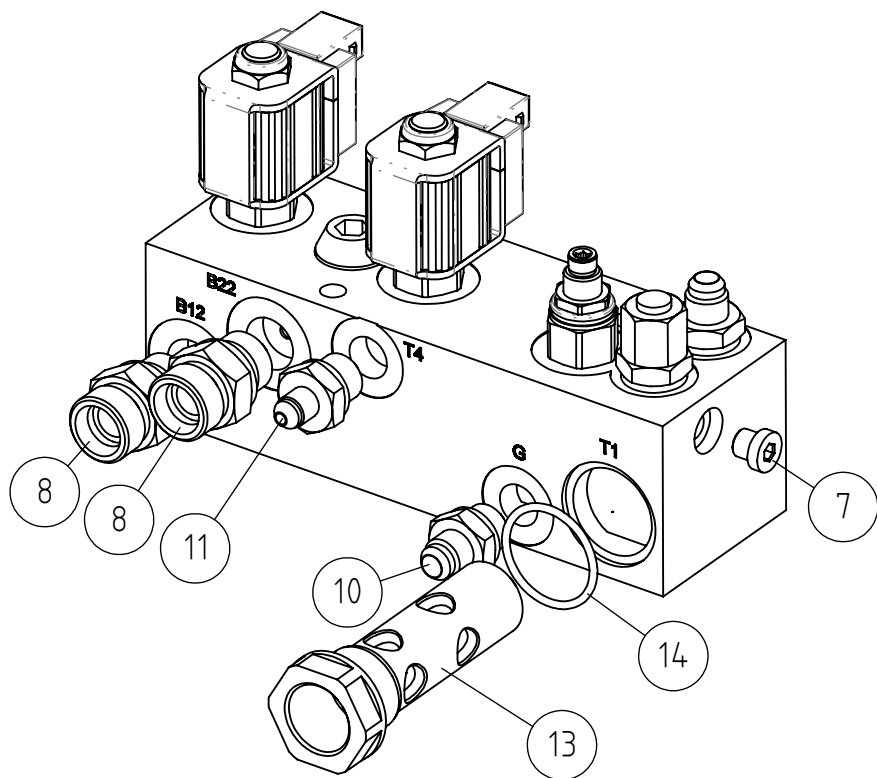


**HUOM!**  
Nimike A454023 sisältää  
osat (1) - (12)

Tiivistesarja (15) sisältää  
osien (1), (2), (4) ja (6)  
tiivisteet

**NOTE!**  
Item A454023 includes  
parts (1) - (12)

Seal kit [#error: broken link](#) includes  
seals for parts (1), (2), (4)  
and (6)

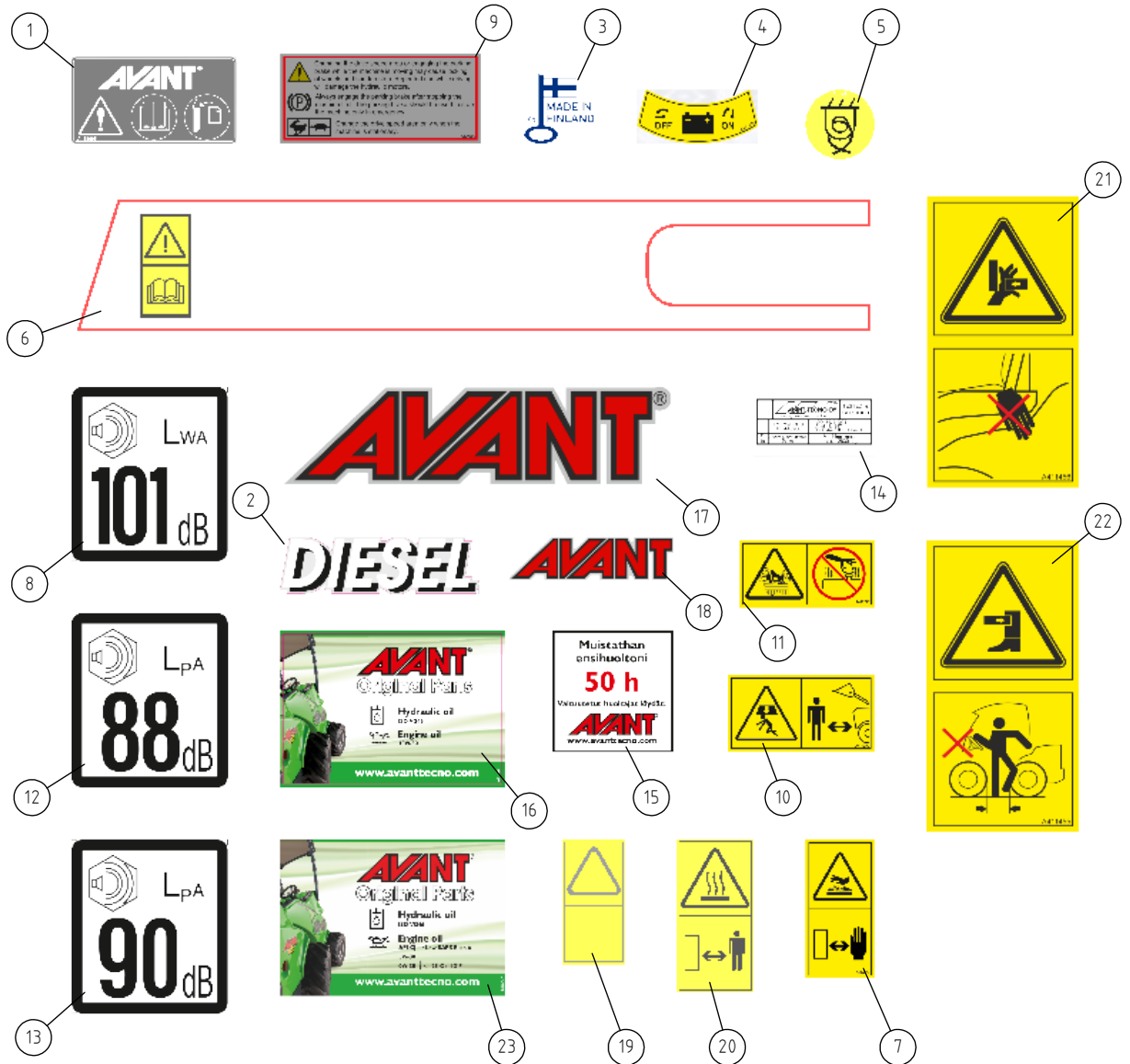


2.2.2024

**A454023 HYDRAULIC MANIFOLD 1-SPEED DRIVE RELEASE**

REF	PART NO	QTY	DESCRIPTION	NOTES	PAGE
1	A428734	2	PRESSURE RELIEF VALVE CARTRIDGE 380BAR		-
2	A432309	1	VALVE CARTRIDGE DRIVE RELEASE OPTIDRIVE		-
3	A428738	1	FLOW RESTRICTOR M6/1,0MM		-
4	A428584	1	VALVE CARTRIDGE SPOOL VALVE 3/2		-
5	66452	2	SOLENOID 12VDC/19W		-
6	A428735	1	PRESSURE RELIEF VALVE CARTRIDGE 30BAR		-
7	64407	2	HEXAGONAL PLUG R 1/8" WITH PACKING		-
8	A449892	4	BASIC FITTING G1/2" M24*1,5		-
9	64059	1	BASIC FITTING F40XS10-1/4		-
10	64041	3	BASIC FITTING F40XS10-3/8 /8		-
11	64313	1	BASIC FITTING F40XS6-3/8"		-
12	64232	1	FITTING HEAD FNTXS10		-
13	A421825	1	BANJO BOLT, HYDR. MANIFOLD		-
14	75112	2	O-RING NBR F 32,99*2,62 90SH		-
15	A428793	1	SEAL KIT HYDRAULIC MANIFOLD A421616		-

# A428313 DECAL KIT 400-800 SERIES





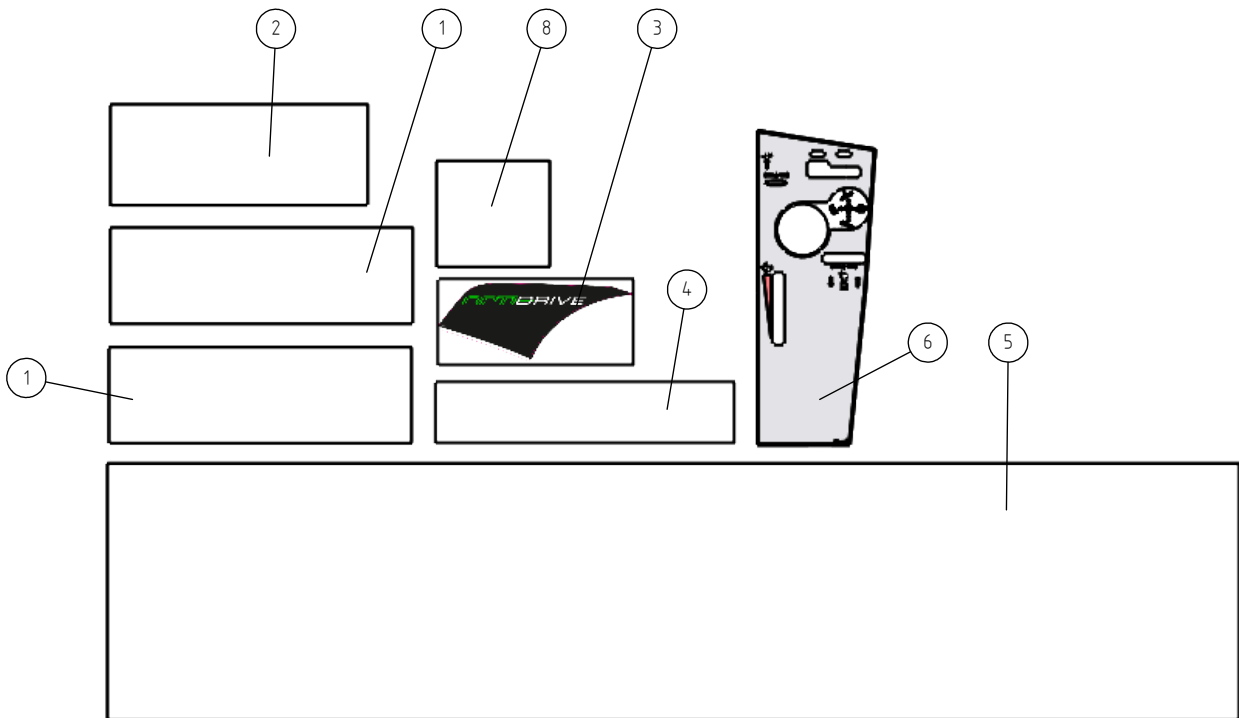
2.2.2024

**A428313 DECAL KIT 400-800 SERIES**

REF	PART NO	QTY	DESCRIPTION	NOTES	PAGE
1	A418695	1	DECAL OPERATORS MANUAL BOX		-
2	A43594	1	DECAL "DIESEL" 32*115 BLACK-WHITE/CLEAR		-
3	A429424	1	DECAL "MADE IN FINLAND"		-
4	A417404	1	DECAL BATTERY DISCONNECT SWITCH		-
5	A414283	4	DECAL PICTOGRAM TIE DOWN POINT		-
6	A414690	1	DECAL FOOTWELL "ALWAYS PERFORM A		-
7	A417270	1	DECAL WARNING HOT SURFACE		-
8	A411047	1	DECAL "LWA 101" 90*100 BLACK/WHITE		-
9	A420357	1	DECAL FIN JARRU/VAIHDE		-
10	A417273	1	DECAL PICTOGR NEVER GO UNDER LIFTED BOOM		-
11	A417272	1	DECAL WARNING RADIATOR PRESSURE		-
12	A43600	1	DECAL LPA88 90*100 BLACK/WHITE		-
13	A411217	1	DECAL "LPA 90" 90*100 BLACK/WHITE		-
14	A49517	1	TYPE PLATE A48906 FOPS 39*90		-
15	A410924	1	DECAL ENSIHUOLTO		-
16	A415780	1	DECAL AVANT HYDRAULIC OIL/ENGINE OIL		-
17	65024	1	DECAL AVANT® EMBOSSED 56*225MM RED		-
18	65649	1	DECAL AVANT® EMBOSSED 25*95MM		-
19	A417271	1	DECAL PICTOGRAM RADIATOR STOP ENGINE		-
20	A414244	1	DECAL, WARNING HOT SURFACES		-
21	A411456	1	DECAL PICTOGRAM CRUSHING HAZ HANDS ARTIC		-
22	A411455	1	DECAL PICTOGRAM CRUSHING HAZARD LEGS		-
23	A420043	1	DECAL "HYDRAULIC OIL ENGINE OIL"		-

2.2.2024

# A434209 DECAL KIT AVANT 528 ROPS OPTIDRIVE

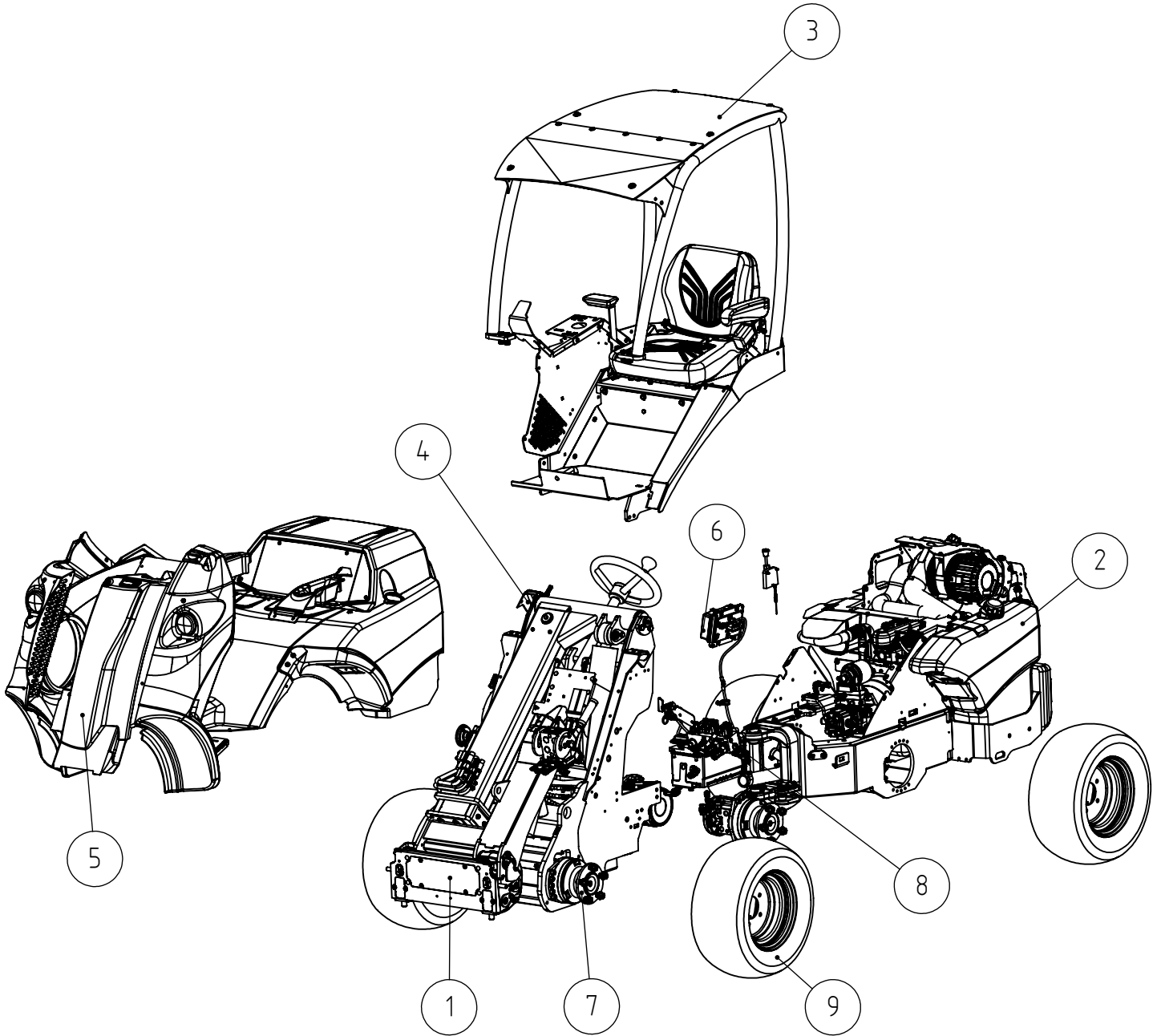


2.2.2024

**A434209 DECAL KIT AVANT 528 ROPS OPTIDRIVE**

REF	PART NO	QTY	DESCRIPTION	NOTES	PAGE
1	A424083	2	DECAL "AVANT 528" REAR FRAME		-
2	A424081	1	DECAL "528" FRONT FRAME		-
3	A422763	1	DECAL "OPTIDRIVE" LEFT SIDE		-
4	A422765	1	DECAL FRONT FRAME RIGHT SIDE BLACK/WHITE		-
5	A424082	1	DECAL "528 OPTIDRIVE" SIDE		-
6	A414945	1	DECAL, CONTROL LEVERS, 520-528		-
7	A49517	1	TYPE PLATE A48906 FOPS 39*90		-
8	A419546	1	DECAL, TIPPING LOAD 528 (KG)		-

# A461606 AVANT 530 SERIES 3



2.2.2024

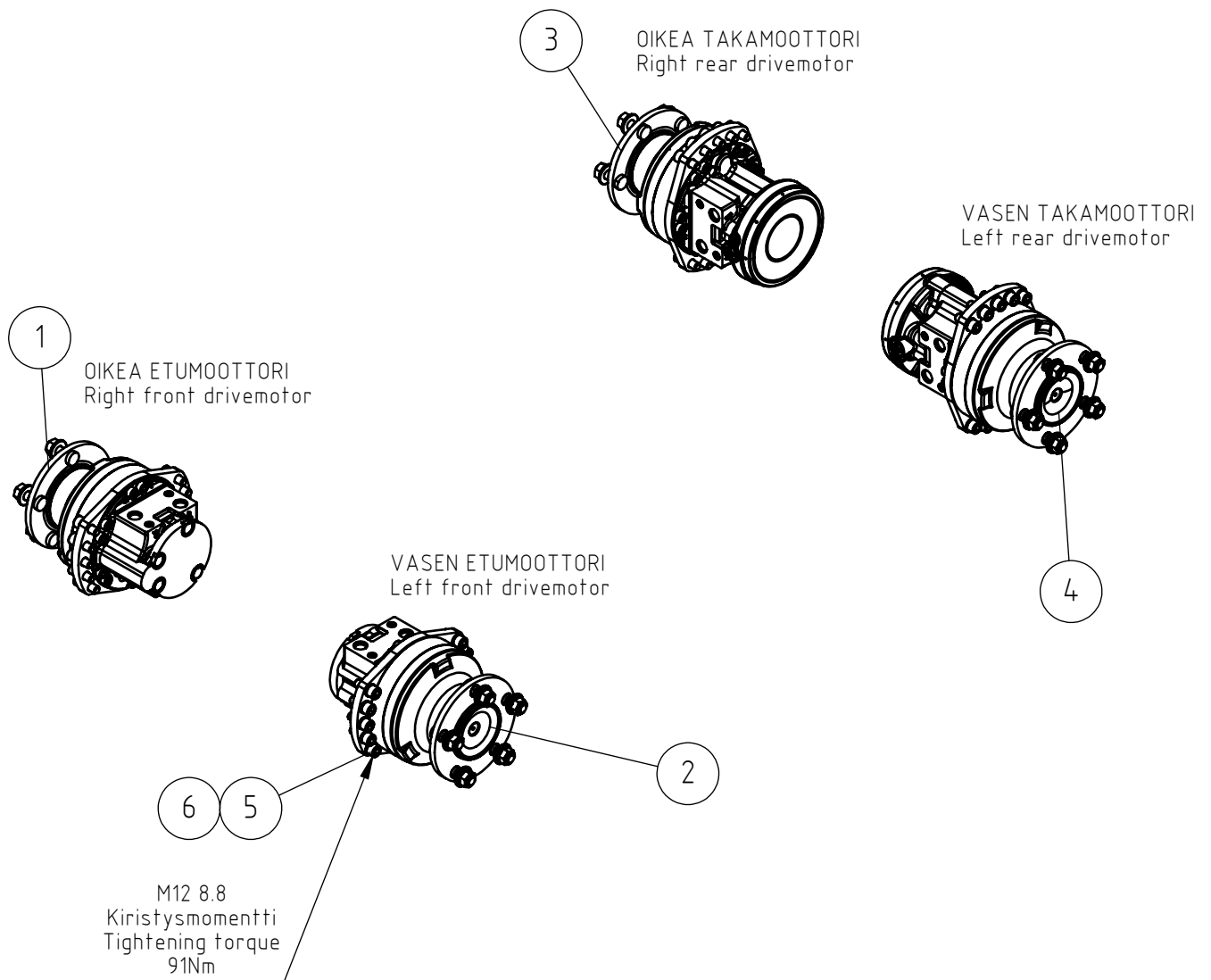
**A461606 AVANT 530 SERIES 3**

REF	PART NO	QTY	DESCRIPTION	NOTES	PAGE
1	A461511	1	FRONT FRAME ASSEMBLY 523 SER3		8
2	A461499	1	REAR FRAME ASSEMBLY 528, 530 SER3		50
3	A462042	1	ROPS/FOPS CAB ASSEMBLY 500 SERIES		94
4	A435860	1	DASHBOARD ASSEMBLY 700-800 ROPS		102
5	A451125	1	COVER PLATES, KIT, ABS 500-600 SERIES		104
6	A461555	1	ELECTRIC COMPONENTS 528-640 SER3 KUBOTA		122
7	A444958	1	HYDRAULIC MOTOR ASSEMBLY 398/199 CCM	Avant 530 (2 speed)	142
8	A452890	1	HYDR. HOSES DRIVE 500-600 SERIES 2-SPEED	Avant 530 (2 speed)	148
9	65996	4	WHEEL 23*10.50-12 GRASS, 5-HOLE RIM		-
9	65997	4	WHEEL 23*10.50-12 TRACTOR 5- HOLE RIM		-
9	65414	4	WHEEL 27*8.50-15 10 HOLE RIM TRACTORPROF		-
9	65995	4	WHEEL 23*8.50-12 TRACTOR 5- HOLE RIM		-
9	65994	4	WHEEL 23*8.50-12 GRASS, 5-HOLE RIM		-
9	65212	4	WHEEL 26*12.00-12 GRASS PROFILE 10-HOLE		-
9	65739	4	WHEEL 26*12.00-12 TRACTOR, 10 HOLE RIM		-
9	65224	4	WHEEL (TYRE+RIM) 10 HOLE 320/60-12 TR HD		-
10	A428313	1	DECAL KIT 400-800 SERIES		136
11	A434209	1	DECAL KIT AVANT 528 ROPS OPTIDRIVE		138

2.2.2024

Avant 530 (2 speed)

# A444958 HYDRAULIC MOTOR ASSEMBLY 398/199 CCM



2.2.2024

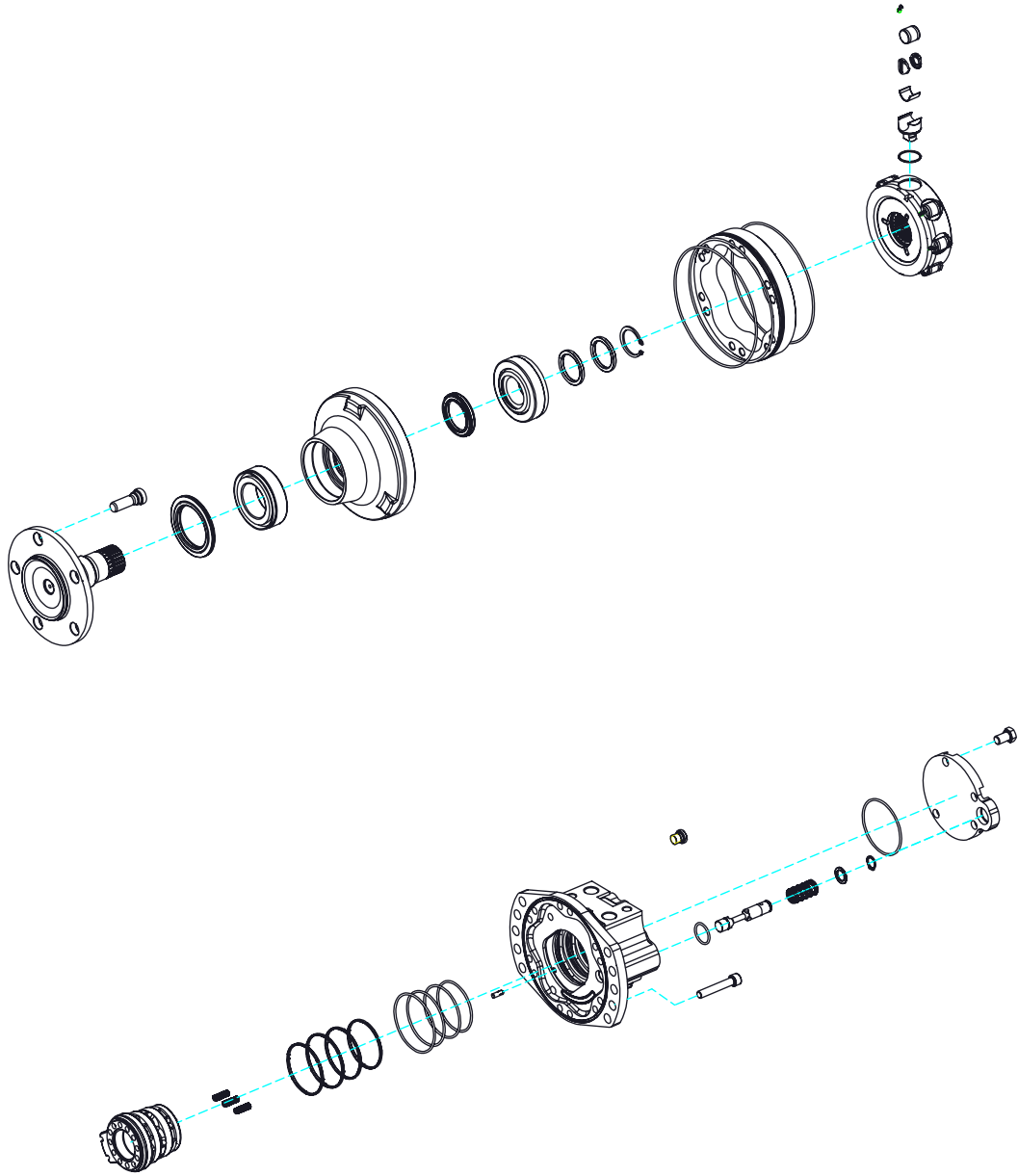
Avant 530 (2 speed)

**A444958 HYDRAULIC MOTOR ASSEMBLY 398/199 CCM**

REF	PART NO	QTY	DESCRIPTION	NOTES	PAGE
1	65666	1	HYDRAULIC MOTOR MSE02 RIGHT 398/199		144
2	65667	1	HYDRAULIC MOTOR MSE02 LEFT 398/199CM3		-
3	65668	1	HYDRAULIC MOTOR MSE02 WITH BRAKE RIGHT		146
4	65669	1	HYDRAULIC MOTOR MSE02 WITH BRAKE LEFT		-
5	74846	40	HEXAGONAL HEAD SCREW M12*30 DIN912		-
6	74532	40	WASHER NORDLOCK NL12		-

2.2.2024

# 65666 HYDRAULIC MOTOR MSE02 RIGHT 398/199





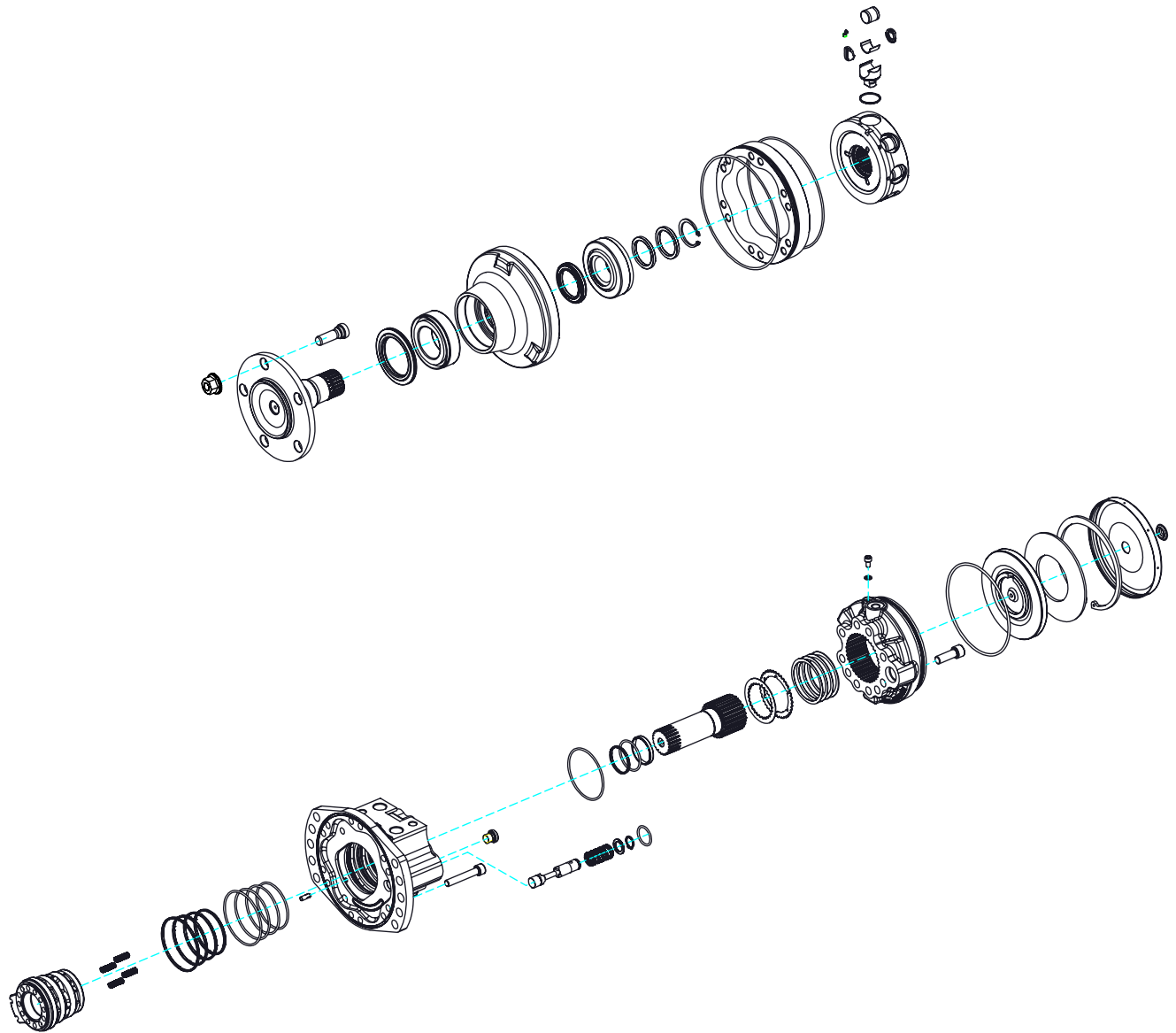
2.2.2024

**65666 HYDRAULIC MOTOR MSE02 RIGHT 398/199**

REF	PART NO	QTY	DESCRIPTION	NOTES	PAGE
1	65666	1	HYDRAULIC MOTOR MSE02 RIGHT 398/199		144
2	A448105	1	SEAL KIT COMPLETE POCLAIN HYDR. MOTOR		-
3	A448120	1	SEAL KIT POCLAIN REPAIR KIT HYDR. MOTOR		-
4	A448122	1	SEAL KIT POCLAIN OPENING KIT HYDR. MOTOR		-
5	74866	1	WHEEL NUT M14*1.5 AV22 POCLAIN		-
6	75143	1	WHEEL BOLT M14*1.5-45 12.9 POCLAIN		-

2.2.2024

# 65668 HYDRAULIC MOTOR MSE02 WITH BRAKE RIGHT



2.2.2024

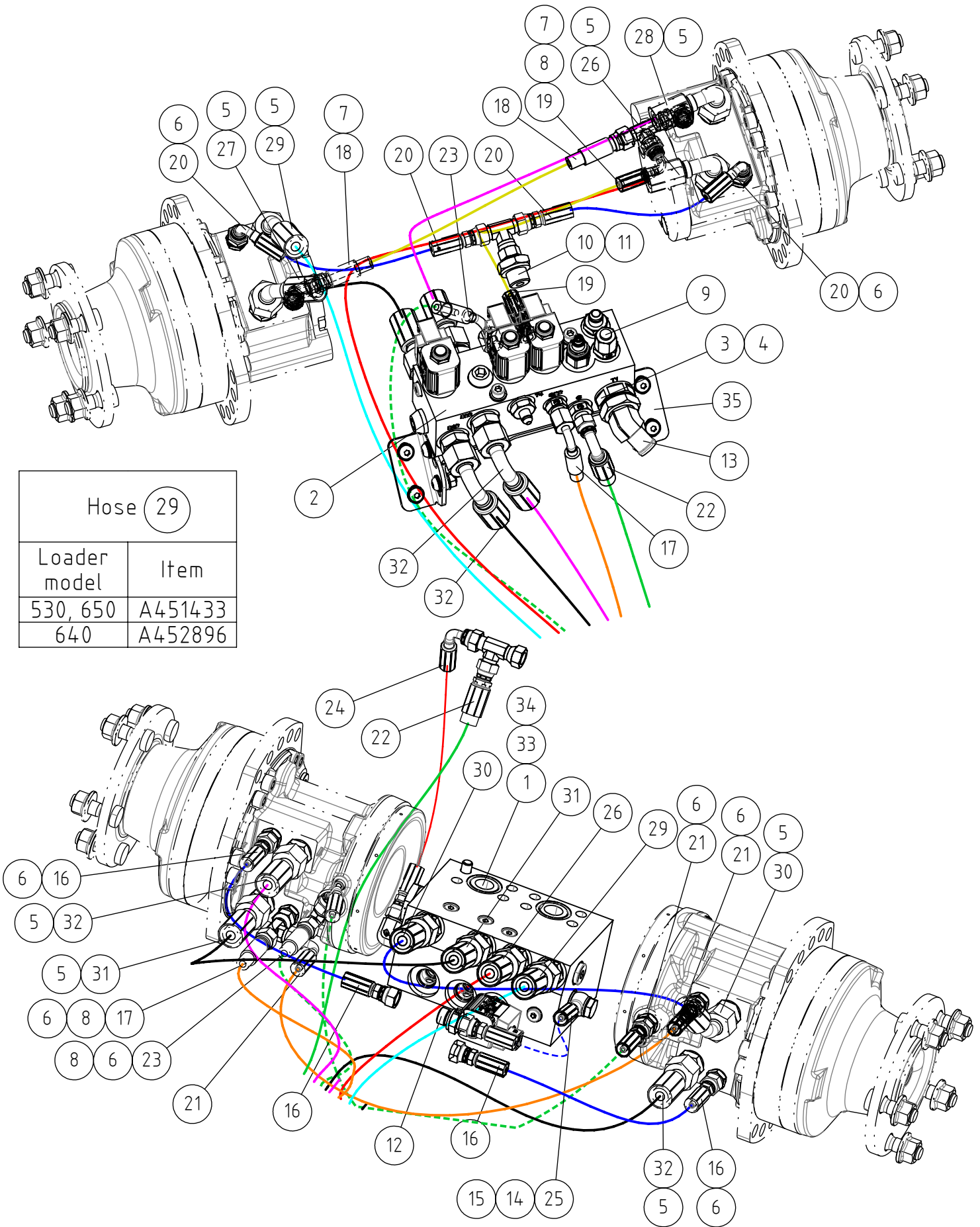
**65668 HYDRAULIC MOTOR MSE02 WITH BRAKE RIGHT**

REF	PART NO	QTY	DESCRIPTION	NOTES	PAGE
1	65668	1	HYDRAULIC MOTOR MSE02 WITH BRAKE RIGHT		146
2	A448120	1	SEAL KIT POCLAIN REPAIR KIT HYDR. MOTOR		-
3	A448122	1	SEAL KIT POCLAIN OPENING KIT HYDR. MOTOR		-
4	A448123	1	SEAL KIT COMPLETE POCLAIN HYDR. MOTOR		-
5	74866	1	WHEEL NUT M14*1.5 AV22 POCLAIN		-

2.2.2024

Avant 530 (2 speed)

**A452890 HYDR. HOSES DRIVE 500-600 SERIES 2-SPEED**



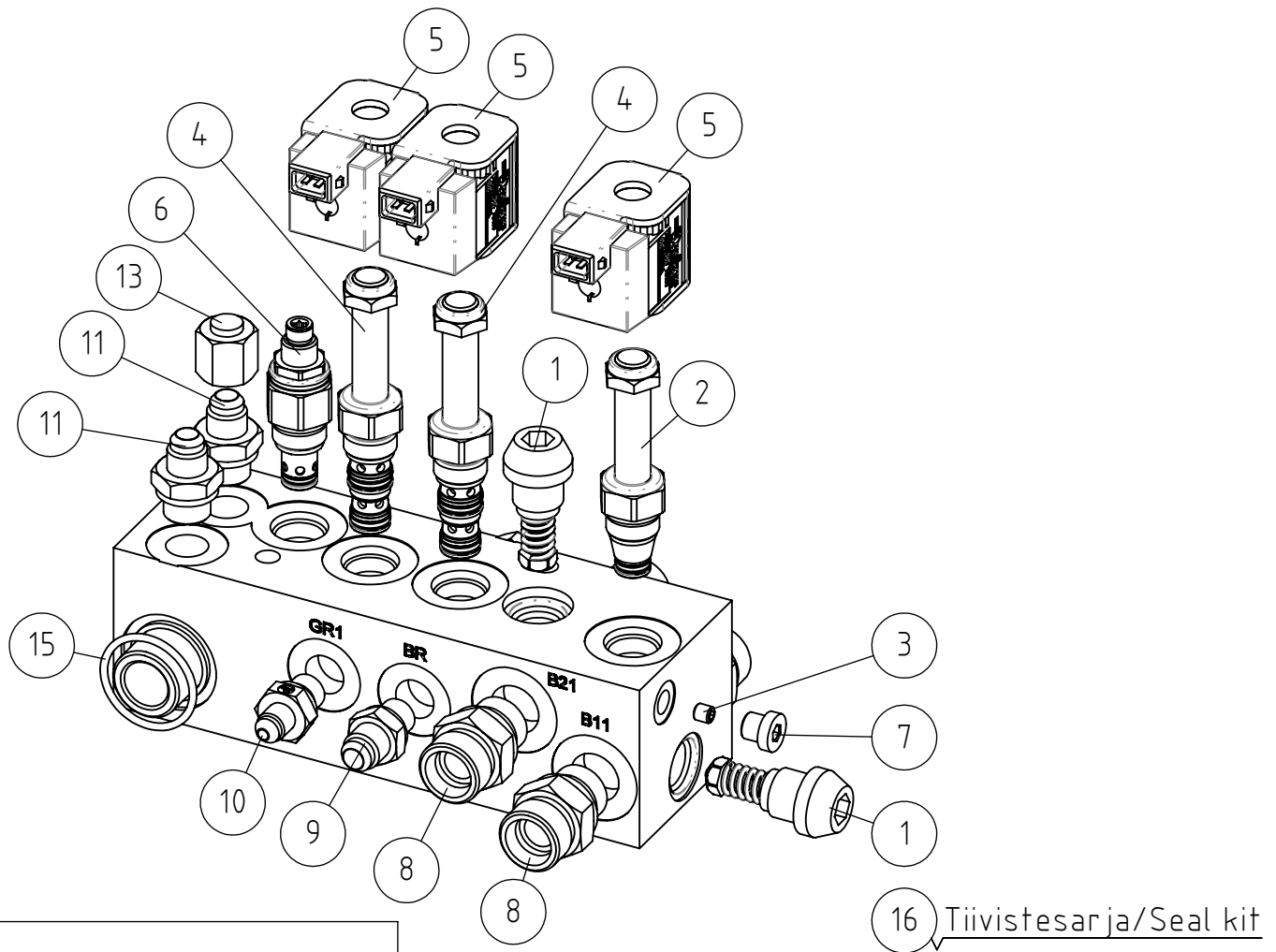
2.2.2024

Avant 530 (2 speed)

**A452890 HYDR. HOSES DRIVE 500-600 SERIES 2-SPEED**

REF	PART NO	QTY	DESCRIPTION	NOTES	PAGE
1	A451904	1	HYDRAULIC MANIFOLD ANTI SLIP VALVE		-
2	A454022	1	HYDRAULIC MANIFOLD 2-SPEED		150
3	A421825	1	BANJO BOLT, HYDR. MANIFOLD		-
4	75112	2	O-RING NBR F 32,99*2,62 90SH		-
5	A449892	8	BASIC FITTING G1/2" M24*1,5		-
6	64059	8	BASIC FITTING F40XS10-1/4		-
7	64087	2	ELBOW FITTING 90 DEGR. /4#		-
8	64078	4	L-FITTING BODY R6XS10		-
9	64232	1	FITTING HEAD FNTXS10		-
10	64040	1	BASIC FITTING F40XS10-1/2 /2		-
11	64070	1	T FITTING S6XS10		-
12	64041	1	BASIC FITTING F40XS10-3/8 /8		-
13	66361	1	HOSE BARB 45° R3/4"UK - 20MM		-
14	64557	1	BANJO BOLT R 1/4"		-
15	73757	2	USIT COMPRESSION R1/4"		-
16	A428535	2	HYDR. HOSE L=350		-
17	A424830	1	HYDR. HOSE L=1000		-
18	A415353	1	HYDR. HOSE L=380		-
19	A446654	1	HYDR. HOSE L=450		-
20	A410165	2	HYDR. HOSE L=300		-
21	A415120	2	HYDR. HOSE L=750		-
22	A422996	1	HYDR. HOSE L=1130		-
23	A415350	1	HYDR. HOSE L=1300		-
24	A410094	1	HYDR. HOSE L=350		-
25	A454837	1	HYDR. HOSE L=265		-
26	A451432	1	HYDR. HOSE L=1660		-
27	A451434	1	HYDR. HOSE L=300		-
28	A451295	1	HYDR. HOSE L=630		-
29	A452896	1	HYDR. HOSE L=1220		-
30	A451429	1	HYDR. HOSE L=670		-
31	A451302	1	HYDR. HOSE L=620		-
32	A451435	2	HYDR. HOSE L=1020		-
33	A450240	8	HEXAGONAL HEAD SCREW M10*90 12.9 DIN 912		-
34	A434424	8	SAFETY WASHER M10 3/8"		-
35	A37332	1	MOUNTING PLATE HYDRAULIC MANIFOLD, ASSEM		-

# A454022 HYDRAULIC MANIFOLD 2-SPEED

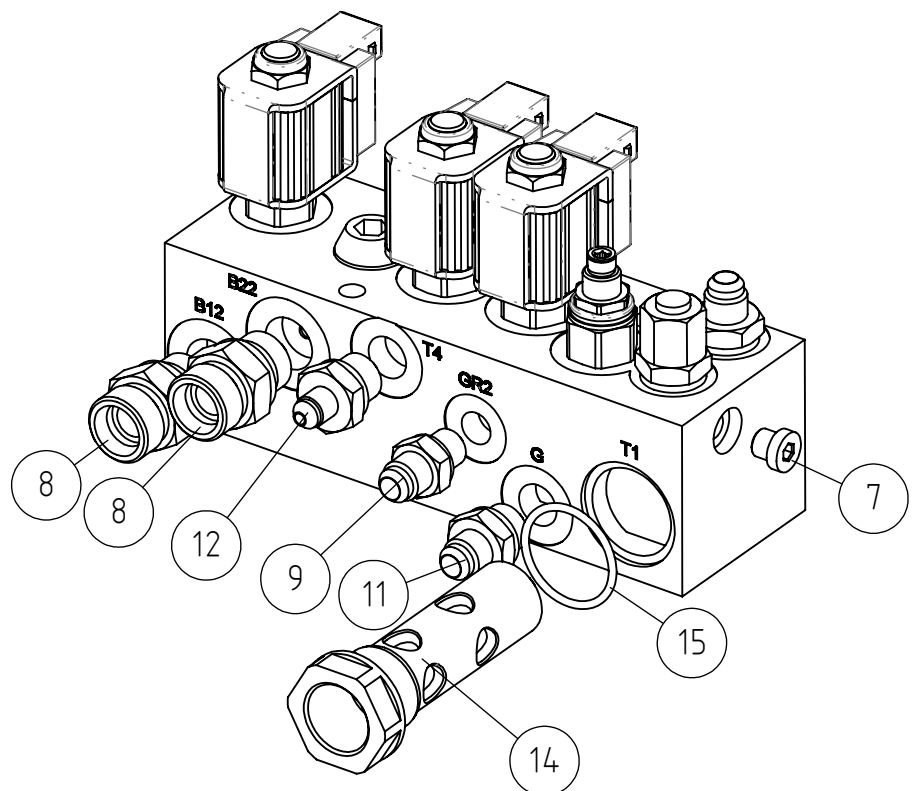


**HUOM!**  
 Nimike A454022 sisältää osat (1) - (13)

Tiivistesarja (16) sisältää osien (1), (2), (4) ja (6) tiivisteet

**NOTE!**  
 Item A454022 includes parts (1) - (13)

Seal kit (16) includes seals for parts (1), (2), (4) and (6)

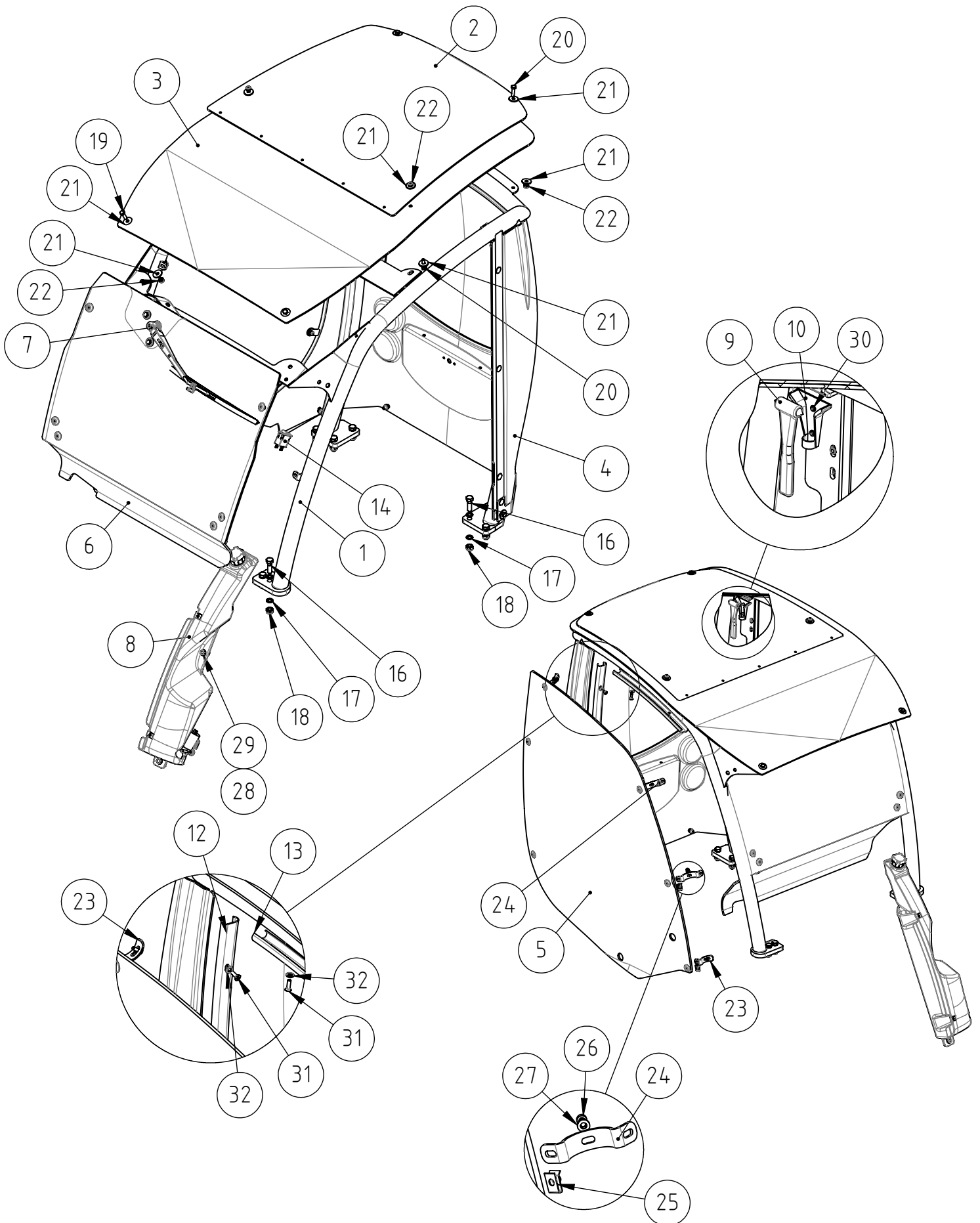


2.2.2024

**A454022 HYDRAULIC MANIFOLD 2-SPEED**

REF	PART NO	QTY	DESCRIPTION	NOTES	PAGE
1	A428734	2	PRESSURE RELIEF VALVE CARTRIDGE 380BAR		-
2	A432309	1	VALVE CARTRIDGE DRIVE RELEASE OPTIDRIVE		-
3	A428738	1	FLOW RESTRICTOR M6/1,0MM		-
4	A428584	2	VALVE CARTRIDGE SPOOL VALVE 3/2		-
5	66452	3	SOLENOID 12VDC/19W		-
6	A428735	1	PRESSURE RELIEF VALVE CARTRIDGE 30BAR		-
7	64407	2	HEXAGONAL PLUG R 1/8" WITH PACKING		-
8	A449892	4	BASIC FITTING G1/2" M24*1,5		-
9	64059	2	BASIC FITTING F40XS10-1/4		-
10	64678	1	BASIC FITTING F40XS6-1/4"		-
11	64041	3	BASIC FITTING F40XS10-3/8 /8		-
12	64313	1	BASIC FITTING F40XS6-3/8"		-
13	64232	1	FITTING HEAD FNTXS10		-
14	A421825	1	BANJO BOLT, HYDR. MANIFOLD		-
15	75112	2	O-RING NBR F 32,99*2,62 90SH		-
16	A428794	1	SEAL KIT HYDRAULIC MANIFOLD A421615		-

# A449937 CAB L





2.2.2024

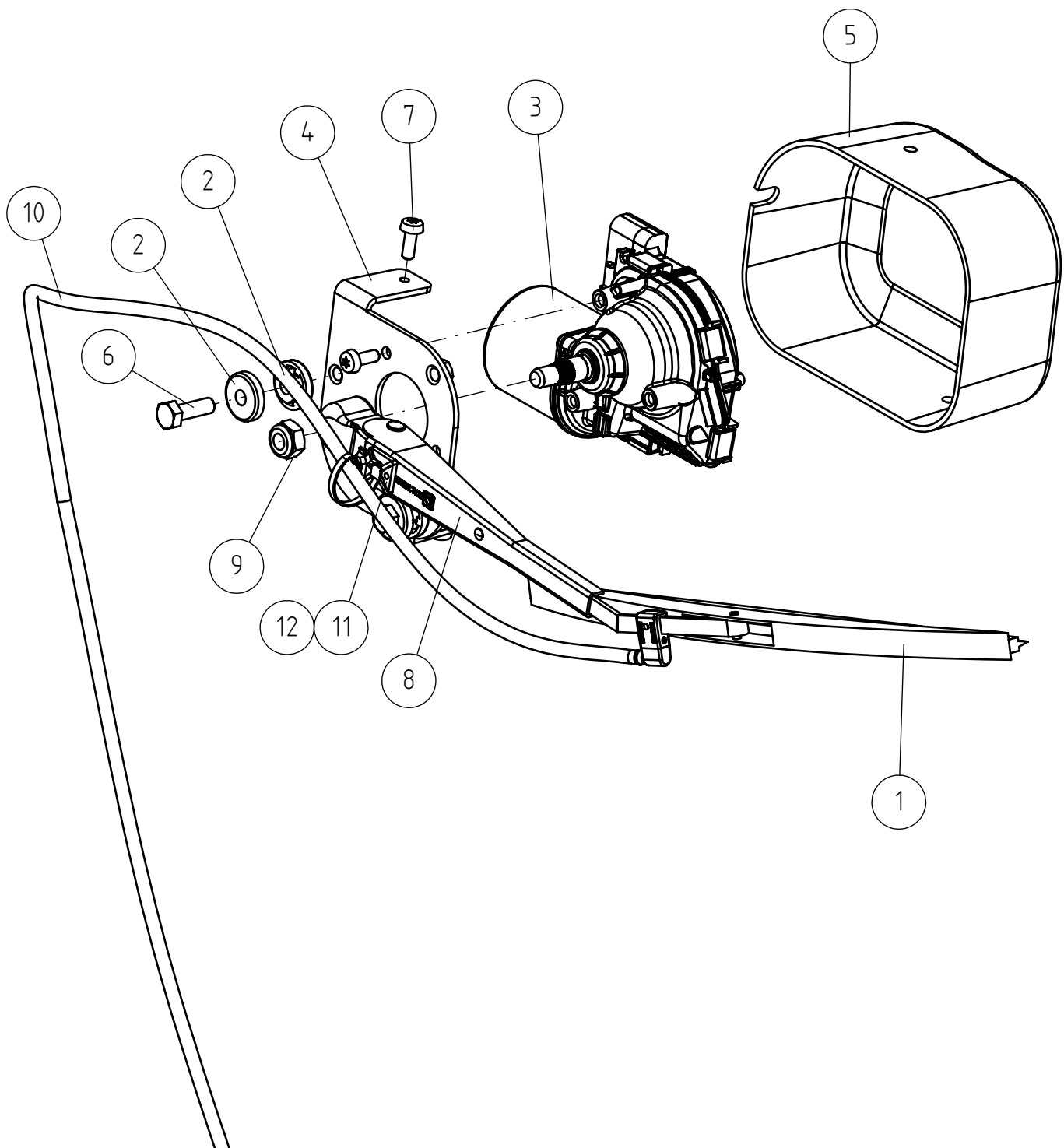
**A449937 CAB L**

REF	PART NO	QTY	DESCRIPTION	NOTES	PAGE
1	A33920	1	ROPS FRAME 1090 MM 600/700 SERIES		-
2	A48905	1	FOPS CANOPY PLATE 500/600/700		-
3	A410091	1	CANOPY, POLYCARBONATE		-
4	A49446	1	REAR WALL WITH WINDOW 500/600/700/R/E		-
5	A49451	1	WINDOW, RIGHT, COMPLETE, CAB L 500-700		-
6	A443961	1	WINDSCREEN ASSEMBLY CAB L 500/600/700/E		-
7	A443979	1	WINDSCREEN WIPER ASSEMBLY CAB L 523-7601		154
8	A446010	1	TANK ASSEMBLY WINDSCREEN WASHER		156
9	64986	1	EMERGENCY HAMMER HAPPICH RED		-
10	A432729	1	BRACKET, EMERGENCY HAMMER 64986		-
11	A411021	1	DECAL "EMERGENCY EXIT"		-
12	A49080	1	COVER STRIP, SIDE		-
13	A49079	1	COVER STRIP, MIDDLE		-
14	65063	1	SWITCH, WIPER/WASHER		-
15	A441037	1	WIRE HARNESS CAB L AVANT 700-800		-
16	73322	10	HEXAGONAL SCREW M12*40 DIN 931		-
17	74532	20	WASHER NORDLOCK NL12		-
18	72324	10	HEXAGONAL NUT M 12 NYLOC DIN 985		-
19	72132	2	HEXAGONAL SCREW M 8*25 DIN 933 ZN		-
20	72133	4	HEXAGONAL SCREW M8*30 DIN 933		-
21	71685	12	WASHER M8 R9 DIN 440 ZN		-
22	72320	6	HEXAGONAL NUT M8 NYLOC DIN 985		-
23	A49699	4	MOUNTING BRACKET ONE SIDED		-
24	A49698	2	MOUNTING BRACKET TWO SIDED		-
25	75172	4	SPEED NUT M5 FOR 0.5-4.0 MM PLATE		-
26	73766	6	HEXAGONAL HEAD SCREW M6*16 DIN 912 2 8.8		-
27	71680	6	WASHER M6 DIN 125		-
28	A450046	2	HEXAGONAL NUT M8 WITH FLANGE		-
29	A429202	2	HEXAGONAL SERRATED SCREW M8*25 WITH FLAN		-
30	A429345	2	PAN HEAD MACHINE SCREW M4*10		-
31	74767	5	RAISED COUNTERSUNK HEAD SCREW M6*20		-
32	74768	5	WASHER CONICAL M6		-

152/236

2.2.2024

# A443979 WINDSCREEN WIPER ASSEMBLY CAB L 523-760I



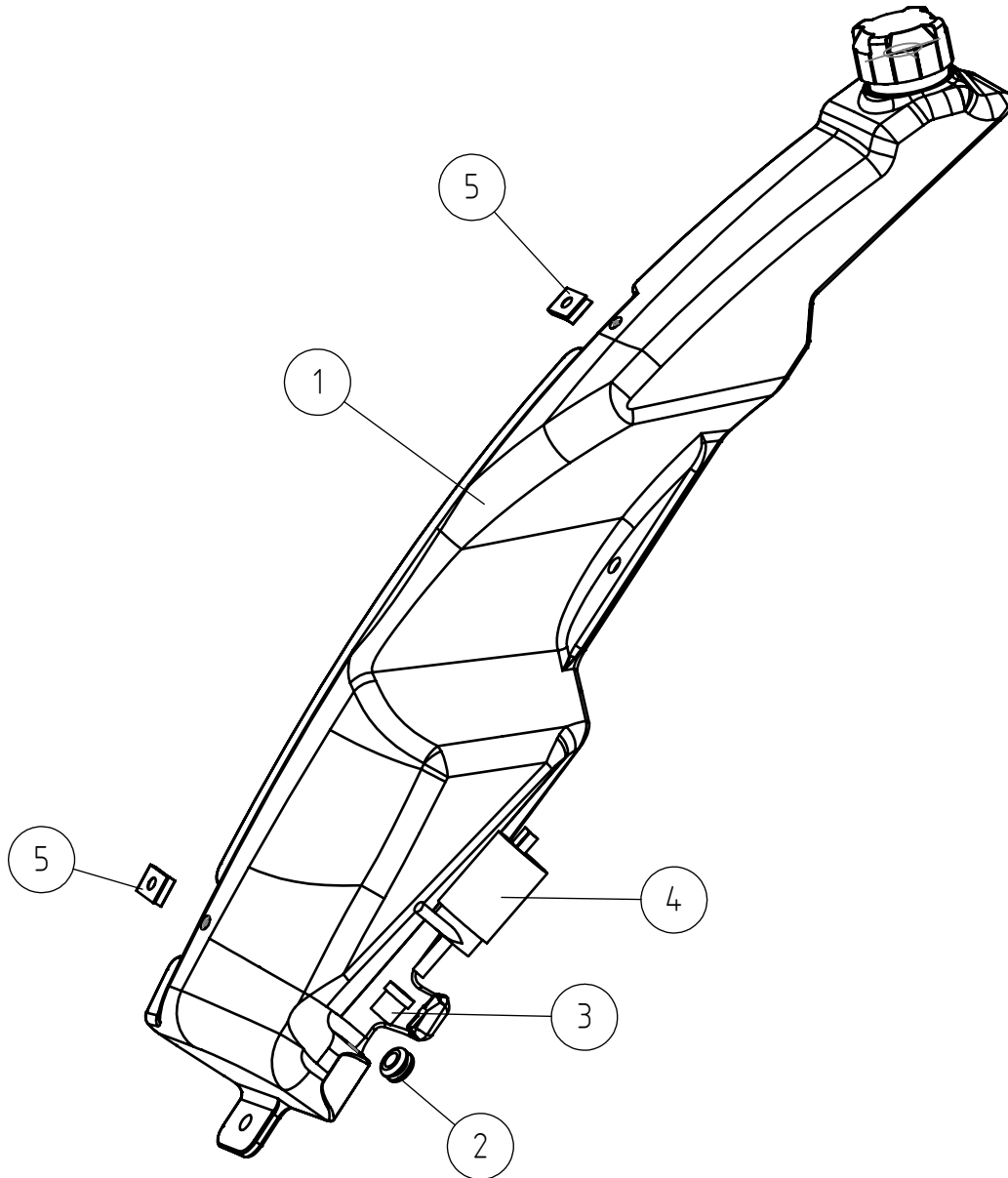
2.2.2024

**A443979 WINDSCREEN WIPER ASSEMBLY CAB L 523-760I**

REF	PART NO	QTY	DESCRIPTION	NOTES	PAGE
1	A440135	1	WIPER BLADE L=400MM		-
2	A441784	4	BUSHING PLASTIC D16,9/D8 - L8,1		-
3	A446829	1	ELECTRIC MOTOR PROGRAMMED WINDSCREEN		-
4	A440457	1	BRACKET MOTOR WINDSCREEN WIPER		-
5	A440716	1	COVER MOTOR WINDSCREEN WIPER		-
6	A427795	2	HEXAGONAL SCREW M8*25 DIN 933 8.8		-
7	A437544	4	THREAD-FORMING SCREW BLACK M6*16 DIN		-
8	A443799	1	ARM, WINDSCREEN WIPER M10 L=302 WITH		-
9	72322	1	HEXAGONAL NUT M 10 NYLOC DIN 985		-
10	A460684	1	HOSE WINDSCREEN WASHER CAB L		-
11	A455710	1	SOCKET ADHESIVE 19X19 CABLE TIE		-
12	A431459	1	CABLE TIE 3,6*281 BLACK		-

2.2.2024

# A446010 TANK ASSEMBLY WINDSCREEN WASHER



2.2.2024

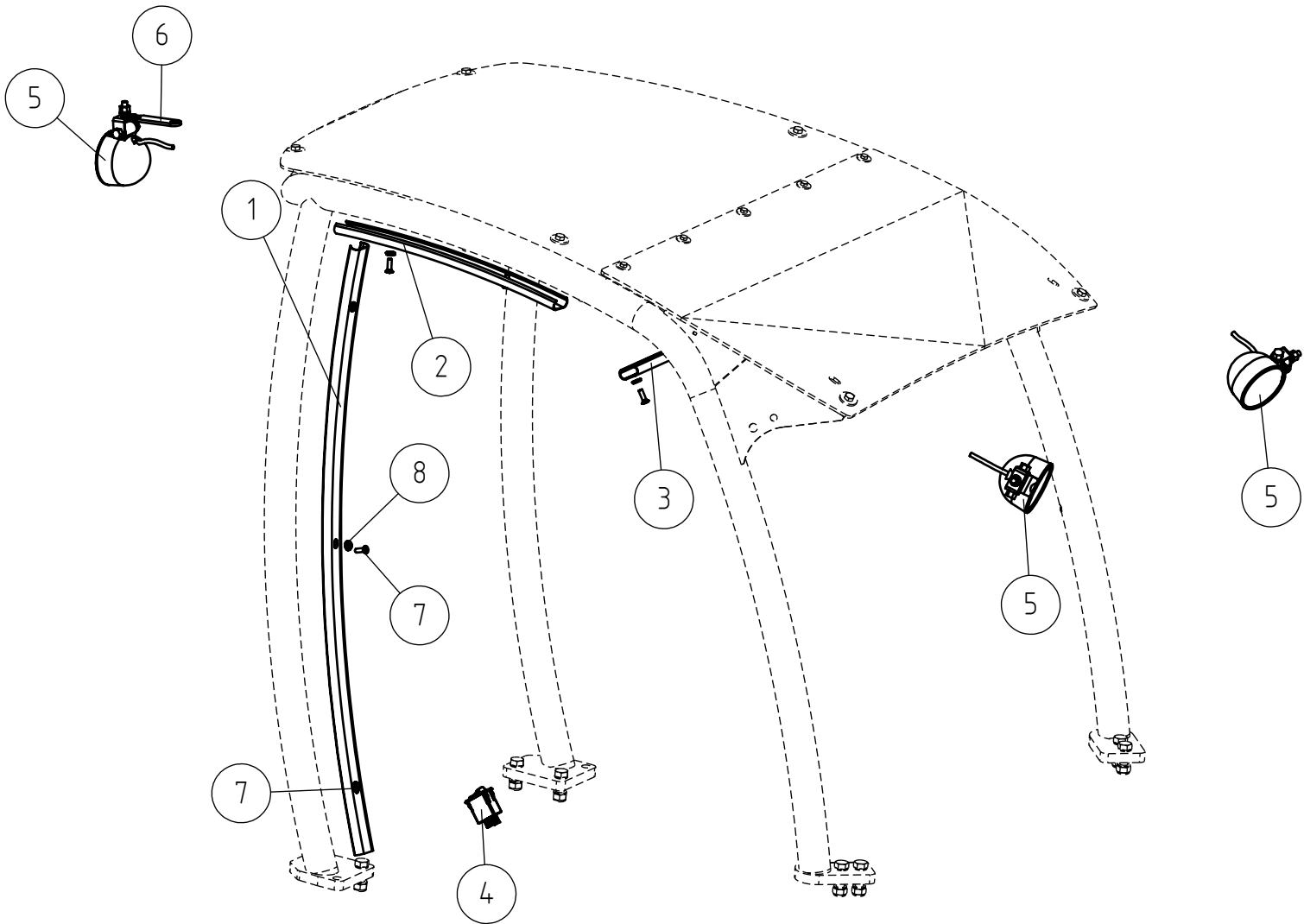
**A446010 TANK ASSEMBLY WINDSCREEN WASHER**

REF	PART NO	QTY	DESCRIPTION	NOTES	PAGE
1	A450244	1	TANK WITH CAP WINDSCREEN WASHER		-
2	64865	1	GROMMET F18/12/9,51-3		-
3	64991	1	GROMMET F18/14/6, H14/H5 ,2012306		-
4	65017	1	PUMP 12V, WINDSCREEN WASHER		-
5	74807	2	SPEED NUT M6, FOR 0.5-4.0 MM PLATE		-

156/236

2.2.2024

# A438520 WORK LIGHT KIT, 3 LED LIGHTS 700 LUMEN



2.2.2024

**A438520 WORK LIGHT KIT, 3 LED LIGHTS 700 LUMEN**

REF	PART NO	QTY	DESCRIPTION	NOTES	PAGE
1	A49080	1	COVER STRIP, SIDE		-
2	A49079	1	COVER STRIP, MIDDLE		-
3	A49077	1	COVER STRIP, UPPER		-
4	65066	1	SWITCH, WORK LIGHT		-
5*	66068	3	WORK LIGHT LED 700 LUMEN 12V/12W COBO	700 Lumen	-
5**	A419163	3	WORK LIGHT LED 2500 LUMEN WITH CONNECTOR	2500 Lumen	-
6	A412802	1	MOUNTING BRACKET WORK LIGHT LED		-
7	74767	8	RAISED COUNTERSUNK HEAD SCREW M6*20		-
8	74768	8	WASHER CONICAL M6		-
9	A437372	1	WIRE HARNESS WORK LIGHT KIT / BEACON		-





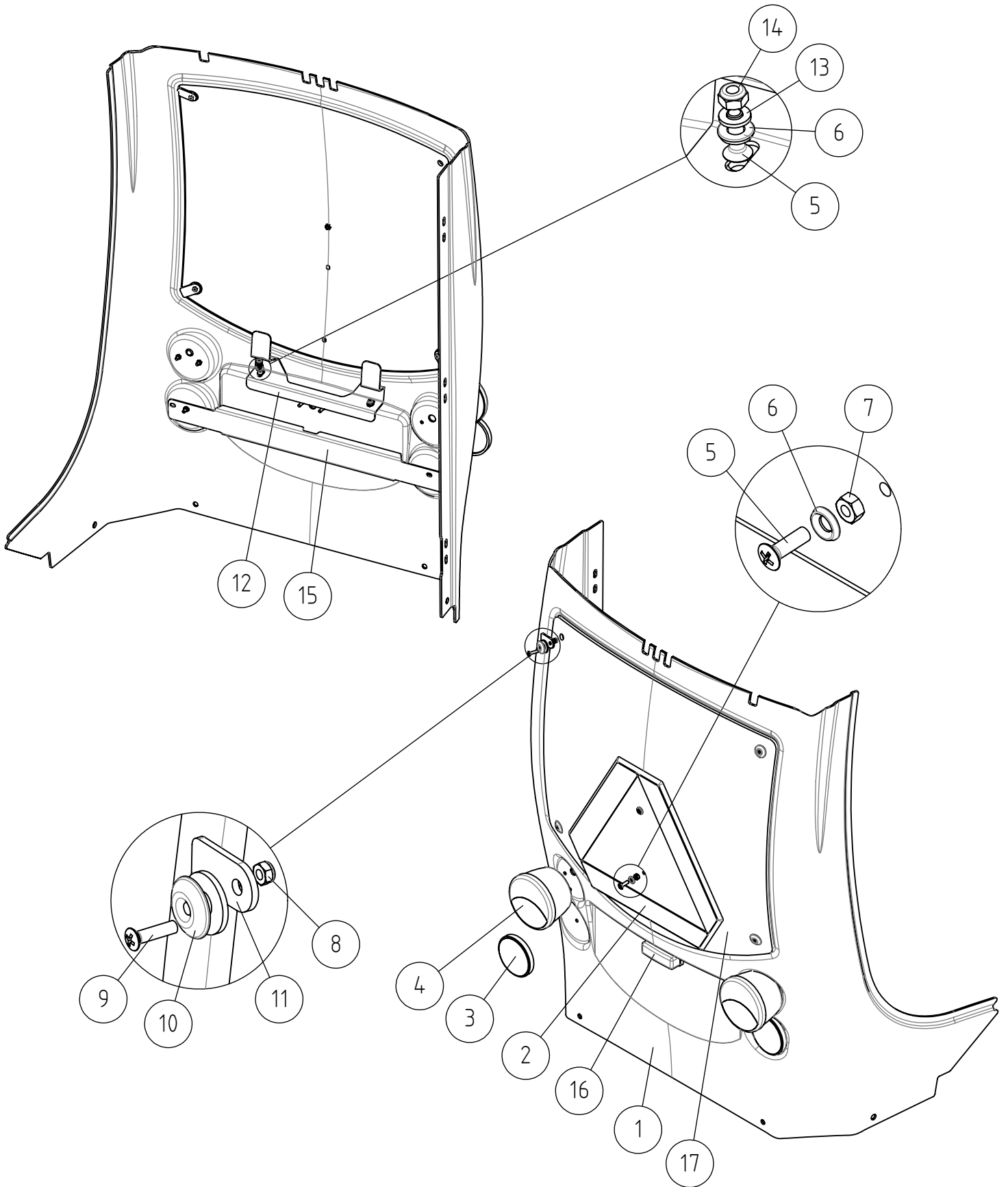
2.2.2024

**A449941 ROAD TRAFFIC KIT, ON ROPS 500-600 SERIES**

REF	PART NO	QTY	DESCRIPTION	NOTES	PAGE
1	A49059	1	BRACKET, BEACON		-
2	A435335	1	BEACON, ORANGE WITH LED LIGHT 11W		-
3	65058	1	BRACKET (PIN), BEACON		-
4	65065	1	SWITCH, BEACON		-
5	A437372	1	WIRE HARNESS WORK LIGHT KIT / BEACON		-
6	72143	1	HEX. SCREW M8*80 DIN 931		-
7	73122	2	WASHER M8 A8,4 DIN 125 ZN		-
8	72320	1	HEXAGONAL NUT M8 NYLOC DIN 985		-
9	A49080	1	COVER STRIP, SIDE		-
10	74767	2	RAISED COUNTERSUNK HEAD SCREW M6*20		-
11	74768	2	WASHER CONICAL M6		-
12	72323	2	HEXAGONAL NUT M12 DIN 934		-
13	A411594	1	ARM, SIDE MIRROR		-
14	64389	1	SIDE MIRROR CONVEX GLASS 185*135 MM		-
15	64851	1	LIGHTS/BLINKERS LEVER SWITCH		-
16	65064	1	SWITCH, WARNING BLINKER		-
17	A450854	1	HEADLAMPS / PARKING LIGHTS / INDICATOR		-
18	A49353	1	FRAME, OUTER		-
19	A412565	1	REAR WALL FOR ROAD TRAFFIC LIGHTS		162
20	A49354	1	FRAME, INNER		-
21	A49356	1	MOUNTING BRACKET, LOWER		-
22	A435070	1	SLOW MOVING VEHICLE TRIANGLE 430X45X30		-
23	A449798	1	WIRE HARNESS ROAD TRAFFIC KIT FRONT		-
23.1	A438175	2	RELAY 12V/30A		-
23.2	65751	1	INDICATOR RELAY 12V 84W WEH-54 201 102		-
24	A448317	1	WIRE HARNESS ROAD TRAFFIC KIT REAR WALL		-

2.2.2024

# A412565 REAR WALL FOR ROAD TRAFFIC LIGHTS



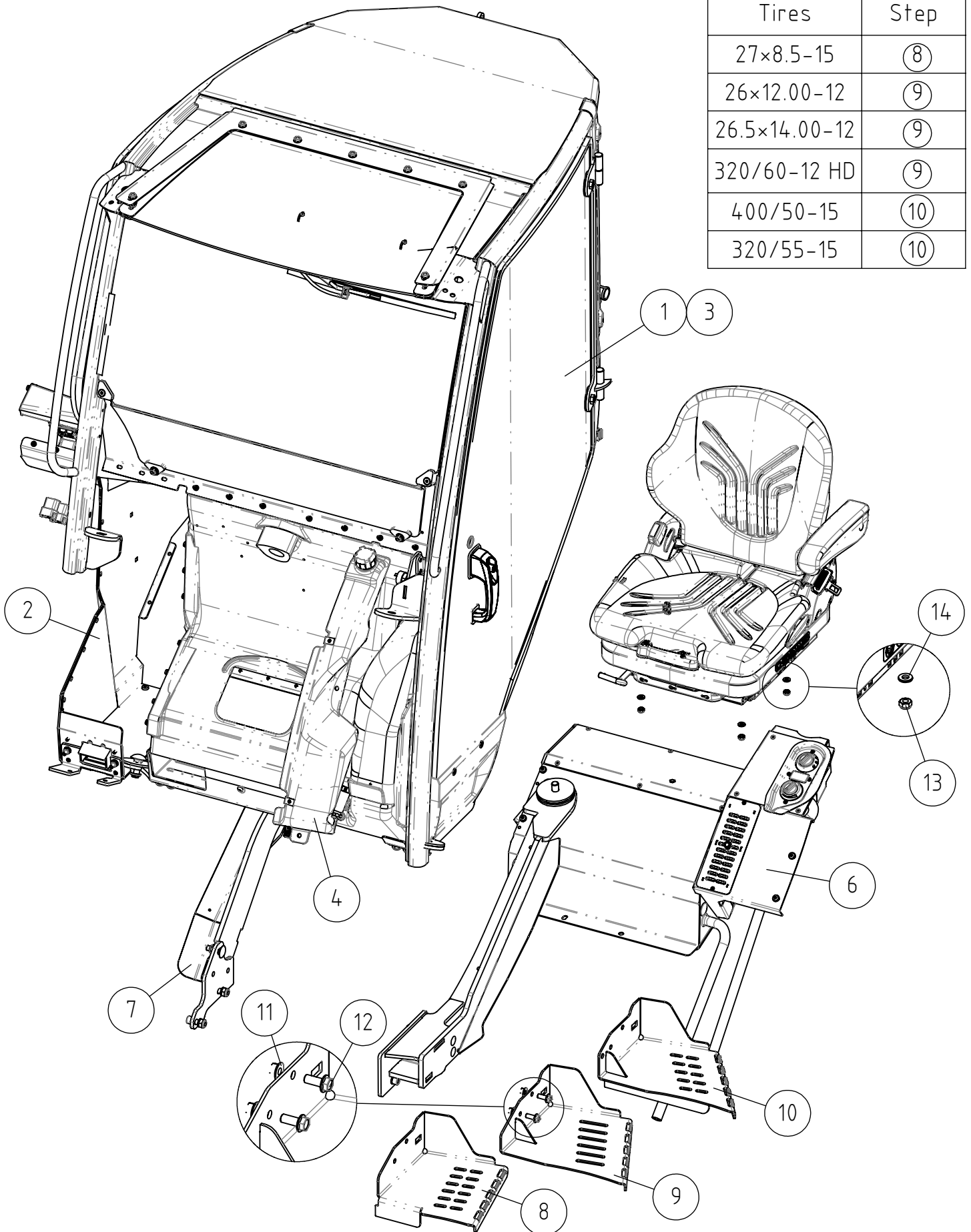
2.2.2024

**A412565 REAR WALL FOR ROAD TRAFFIC LIGHTS**

REF	PART NO	QTY	DESCRIPTION	NOTES	PAGE
1	A412564	1	COVER PANEL REAR WITHOUT WINDOW		-
2	64733	1	SIGN, SLOW MOVING VEHICLE, RED		-
3	65057	2	REFLECTOR, RED		-
4	65263	2	REAR LIGHT / BLINKER		-
5	74767	4	RAISED COUNTERSUNK HEAD SCREW M6*20		-
6	74768	4	WASHER CONICAL M6		-
7	72317	2	HEXAGONAL NUT M6 DIN 934		-
8	72315	4	HEXAGONAL NUT M5 NYLOC DIN 985		-
9	74787	4	CROSS HEAD SCREW M5*20		-
10	74788	4	FASTENER, WINDOW, F25/F5-13		-
11	A410059	4	HOLDER		-
12	A412146	1	BRACKET, WARNING TRIANGLE		-
13	71680	2	WASHER M6 DIN 125		-
14	72318	2	HEXAGONAL NUT M 6 DIN 985 NYLOC		-
15	A412143	1	CABLE STRIP		-
16	A411791	1	LIGHT, LICENCE PLATE		-
17	A413489	1	REAR WINDOW		-

**A444539 CAB GT, 700 SERIES**

Tires	Step
27×8.5-15	⑧
26×12.00-12	⑨
26.5×14.00-12	⑨
320/60-12 HD	⑨
400/50-15	⑩
320/55-15	⑩



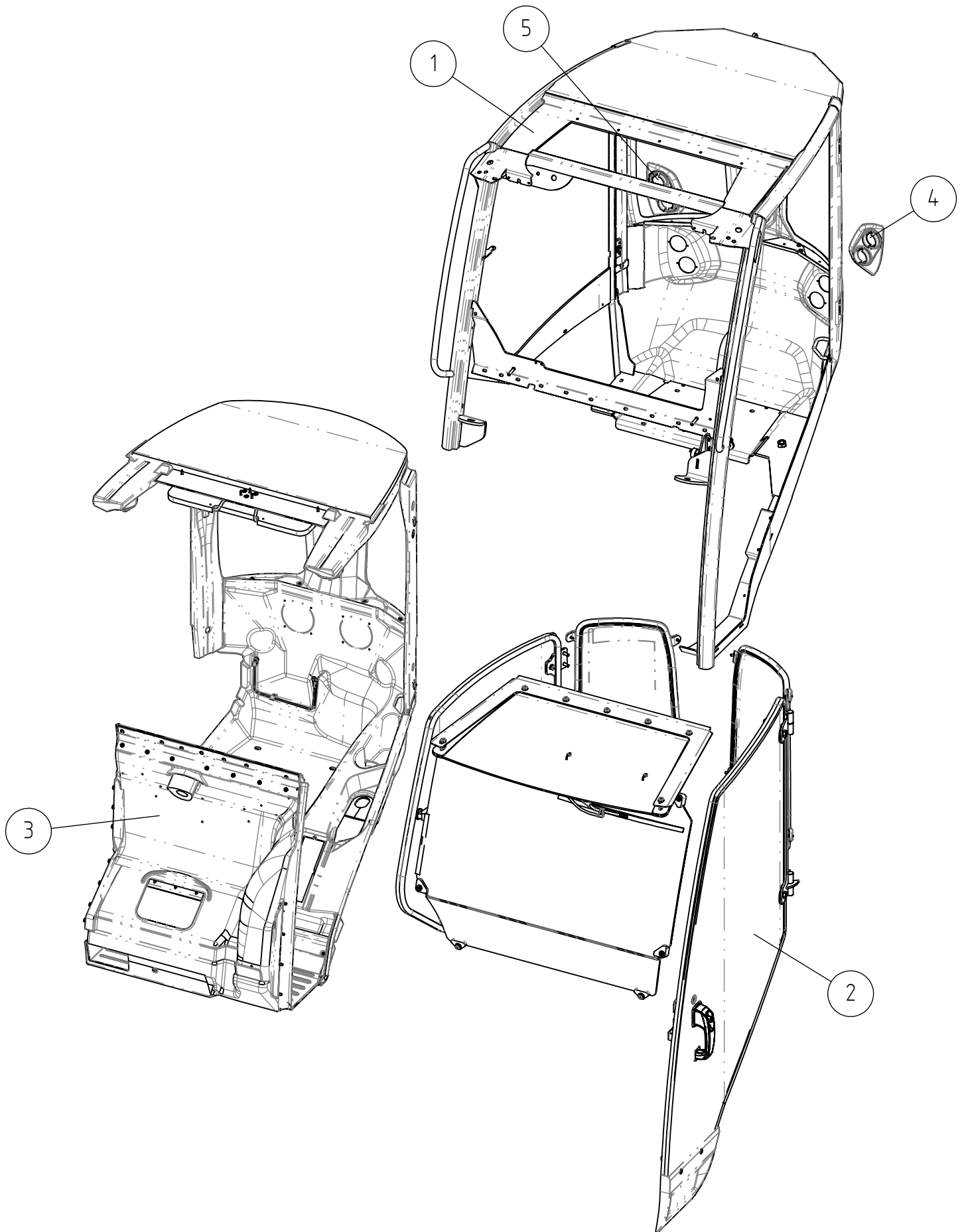
2.2.2024

**A444539 CAB GT, 700 SERIES**

REF	PART NO	QTY	DESCRIPTION	NOTES	PAGE
1	A453487	1	BASIC PARTS CAB GT		166
2	A448127	1	CONTROLS ASSEMBLY CAB GT		206
3	A445920	1	WIRE HARNESS CAB GT TWIN FANS A/C		-
4	A446010	1	TANK ASSEMBLY WINDSCREEN WASHER		156
5	A449724	1	SEAT FULL SUSPENSION FABRIC HEATER MSG65		212
6	A438246	1	HEATER ASSEMBLY CAB GT		214
7	A442729	1	SUBFRAME CAB GT		216
8	A449935	1	STEP CAB GT 27X8.50-15 WHEELS		-
9	A451964	1			-
10	A451536	1	STEP CAB GT		-
11	A453082	2	HEXAGONAL NUT M10 DIN 6923		-
12	A432195	2	HEXAGONAL SERRATED SCREW M10*25 W. FLANG		-
13	72320	4	HEXAGONAL NUT M8 NYLOC DIN 985		-
14	63944	4	WASHER, PAIR, NORD-LOCK M8		-

2.2.2024

# A453487 BASIC PARTS CAB GT



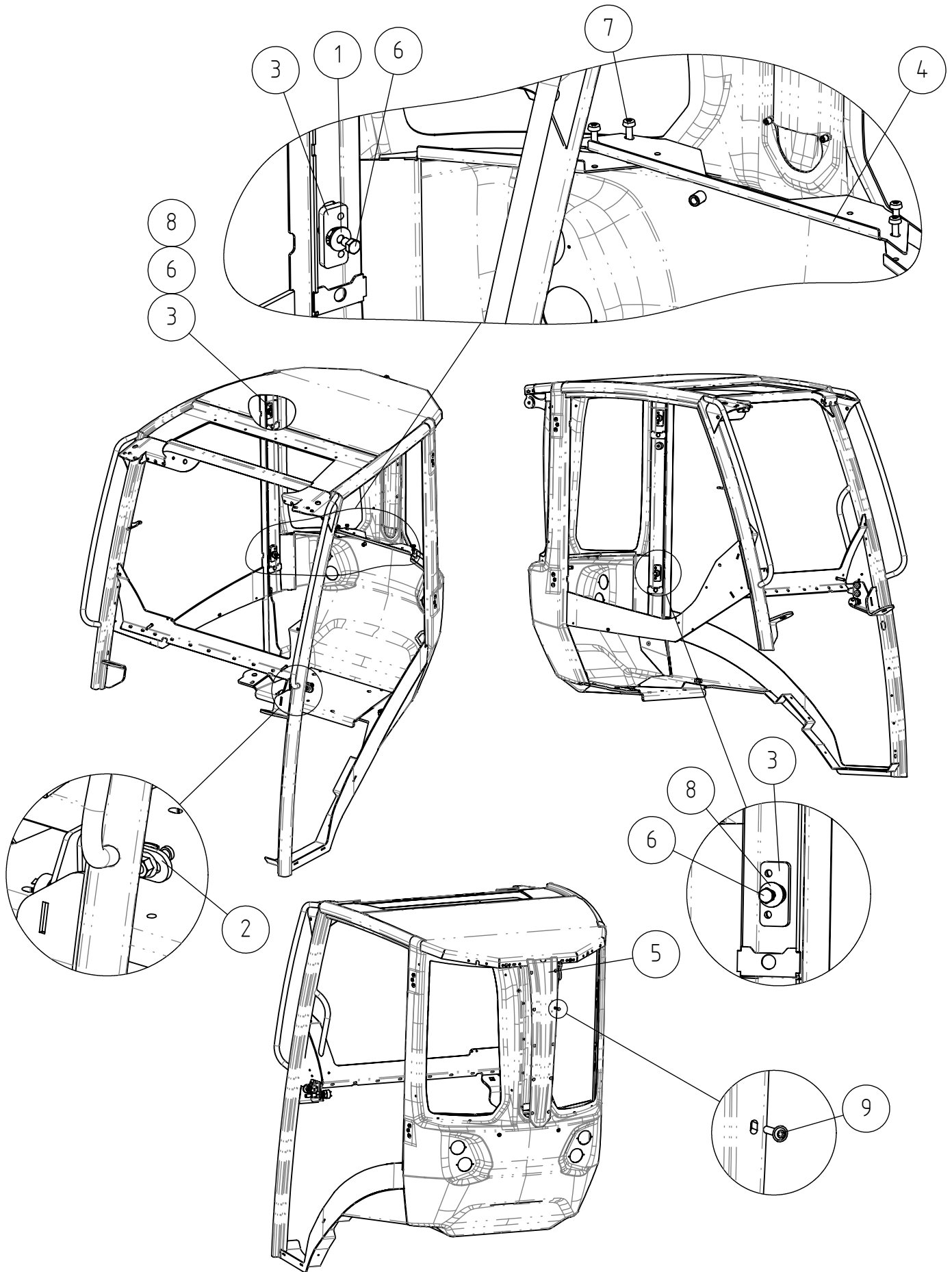
2.2.2024

**A453487 BASIC PARTS CAB GT**

REF	PART NO	QTY	DESCRIPTION	NOTES	PAGE
1	A448117	1	FRAME CAB GT		168
2	A453483	1	DOOR AND WINDOWS ASSEMBLY CAB GT		172
3	A453489	1	UPHOLSTERY ASSEMBLY CAB GT		186
4	A438151	1	FRAME LEFT REAR LIGHTS CAB GT		-
5	A438155	1	FRAME RIGHT REAR LIGHTS CAB GT		-

2.2.2024

# A448117 FRAME CAB GT





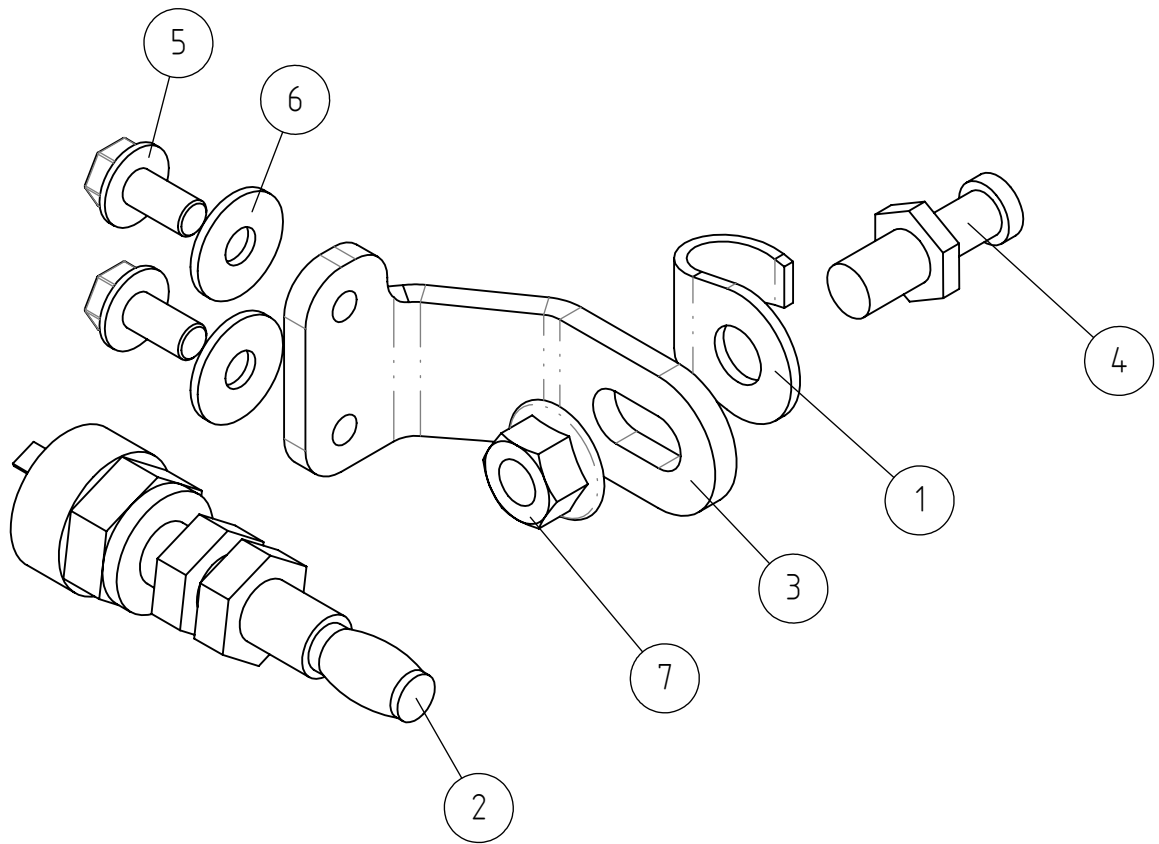
2.2.2024

**A448117 FRAME CAB GT**

REF	PART NO	QTY	DESCRIPTION	NOTES	PAGE
1	A448118	1	FRAME CAB GT		-
2	A438895	1	LATCH ASSEMBLY		170
3	A435904	4	SPACER PLATE DOOR CAB GT		-
4	A434179	1	MOUNTING BRACKET		-
5	A438890	1	COVER C-PILLAR ASSEMBLY CAB GT		-
6	72128	4	HEXAGONAL SCREW M 8*12 DIN 933 ZN		-
7	75129	4	THREAD-FORMING SCREW M6*16 DIN 7500C		-
8	A435941	4	WASHER M8 DIN 9021 Ø8,4/Ø24 -2 ZN		-
9	A465528	10	THREAD-FORMING SCREW M4*20 10.9 BLACK		-

2.2.2024

# A438895 LATCH ASSEMBLY



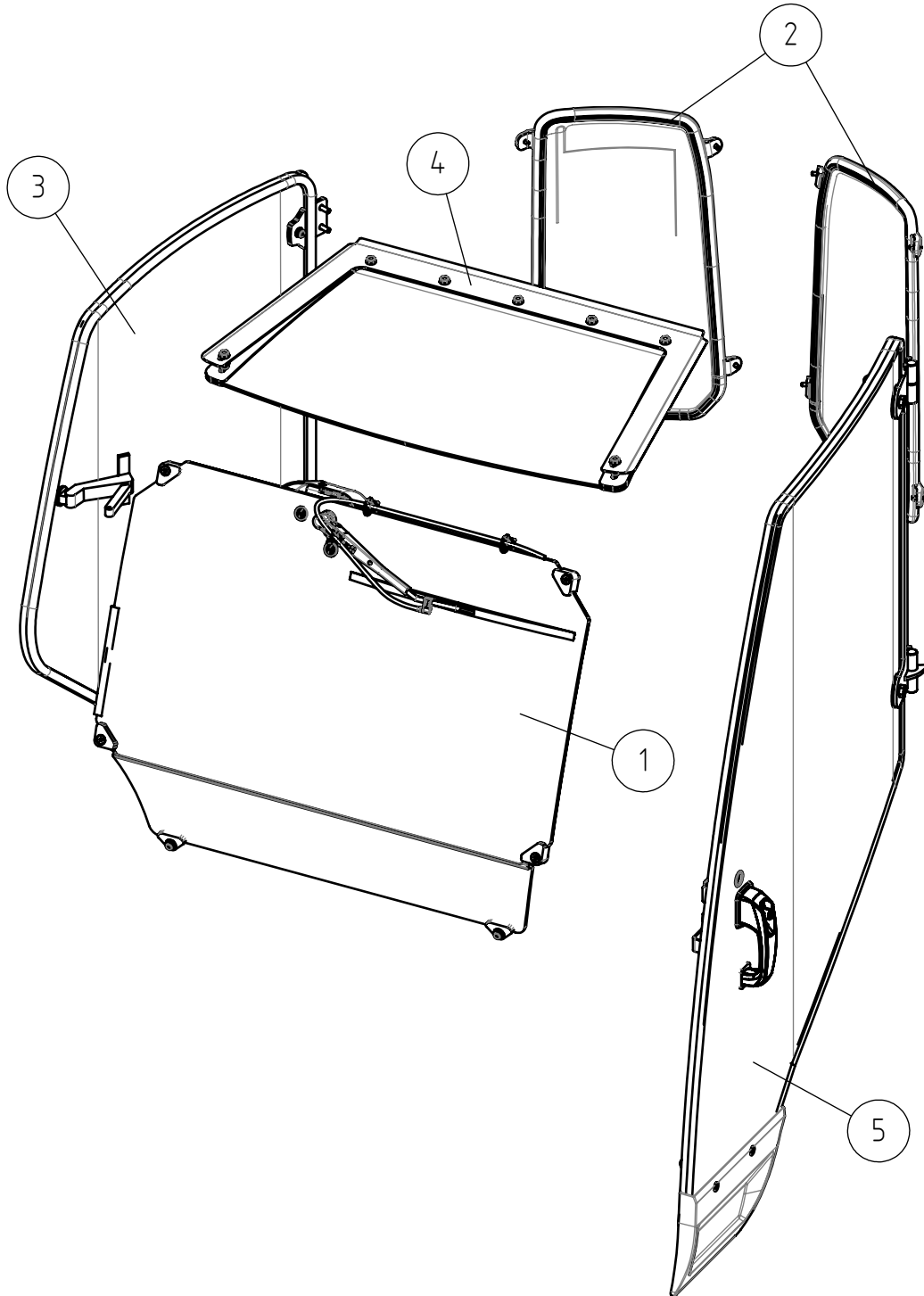
2.2.2024

**A438895 LATCH ASSEMBLY**

REF	PART NO	QTY	DESCRIPTION	NOTES	PAGE
1	64980	1	GUIDE PLATE, LOCK		-
2	65665	1	DOOR SWITCH, CAB		-
3	A434306	1	LATCH DOOR CAB GT		-
4	64979	1	PIN, DOOR LOCK		-
5	A429200	2	HEXAGONAL SERRATED SCREW M8*16 WITH		-
6	A435941	2	WASHER M8 DIN 9021 Ø8,4/Ø24 -2 ZN		-
7	A450048	1	HEXAGONAL NUT M12 WITH FLANGE		-

2.2.2024

# A453483 DOOR AND WINDOWS ASSEMBLY CAB GT



2.2.2024

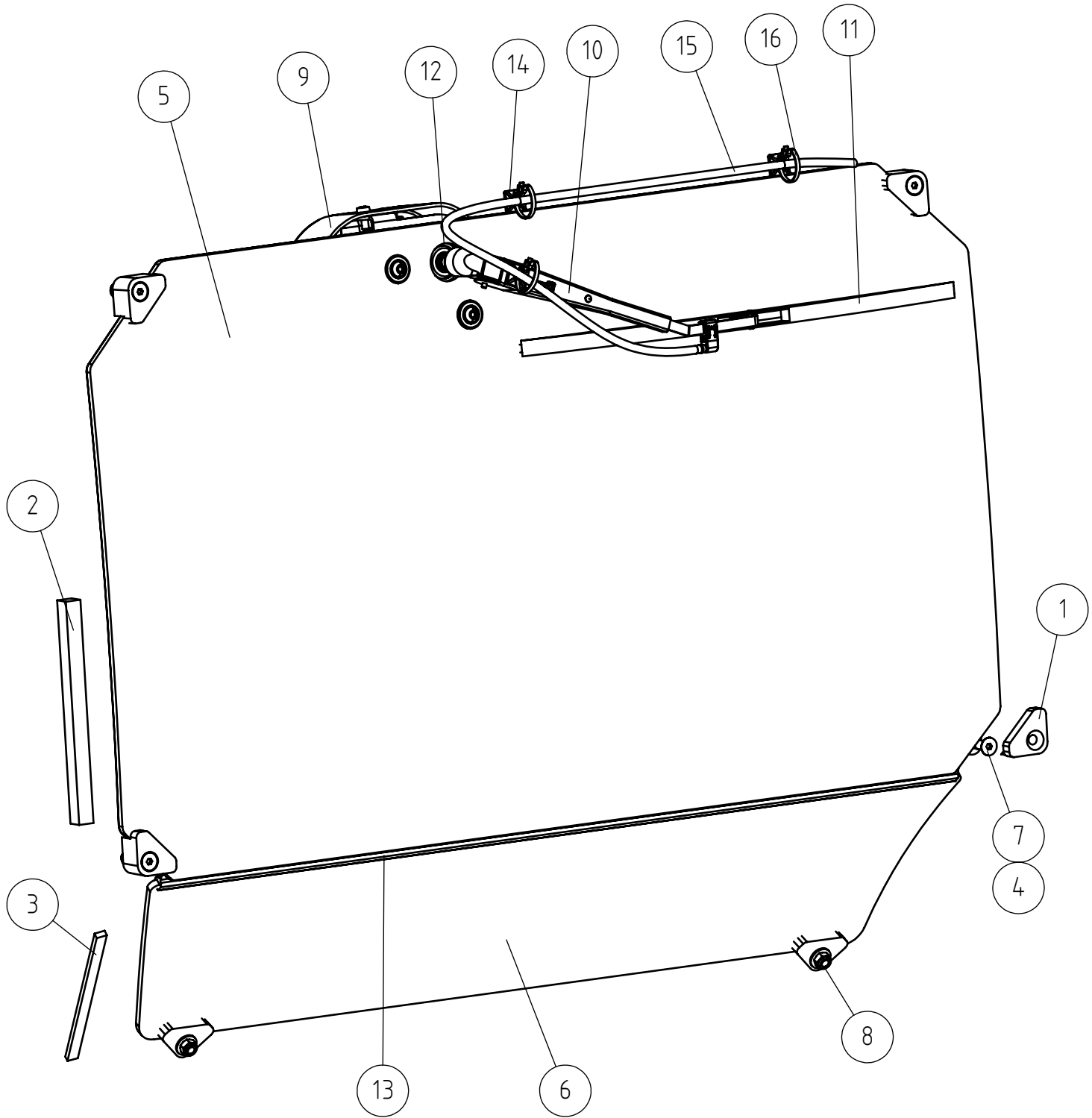
**A453483 DOOR AND WINDOWS ASSEMBLY CAB GT**

REF	PART NO	QTY	DESCRIPTION	NOTES	PAGE
1	A445896	1	WINDSCREEN ASSEMBLY CAB GT		174
2	A436771	1	REAR WINDOWS CAB GT		178
2.1	A434932	1	REAR WINDOW LEFT CAB GT		-
2.2	A434114	1	REAR WINDOW RIGHT CAB GT		-
2.3	A435250	4	BRACKET OUTSIDE REAR WINDOW CAB GT		-
2.4	A435251	4	BRACKET INSIDE REAR WINDOW CAB GT		-
2.5	A436768	2	SEAL REAR WINDOW CAB GT		-
3	A434952	1	WINDOW RIGHT ASSEMBLY CAB GT		180
4	A436900	1	SUNROOF ASSEMBLY CAB GT		182
4.1	A434638	1	SUNROOF PLATE CAB GT		-
4.2	A436903	1	SEAL SUNROOF CAB GT		-
5	A434950	1	DOOR ASSEMBLY CAB GT		184

172/236

2.2.2024

# A445896 WINDSCREEN ASSEMBLY CAB GT



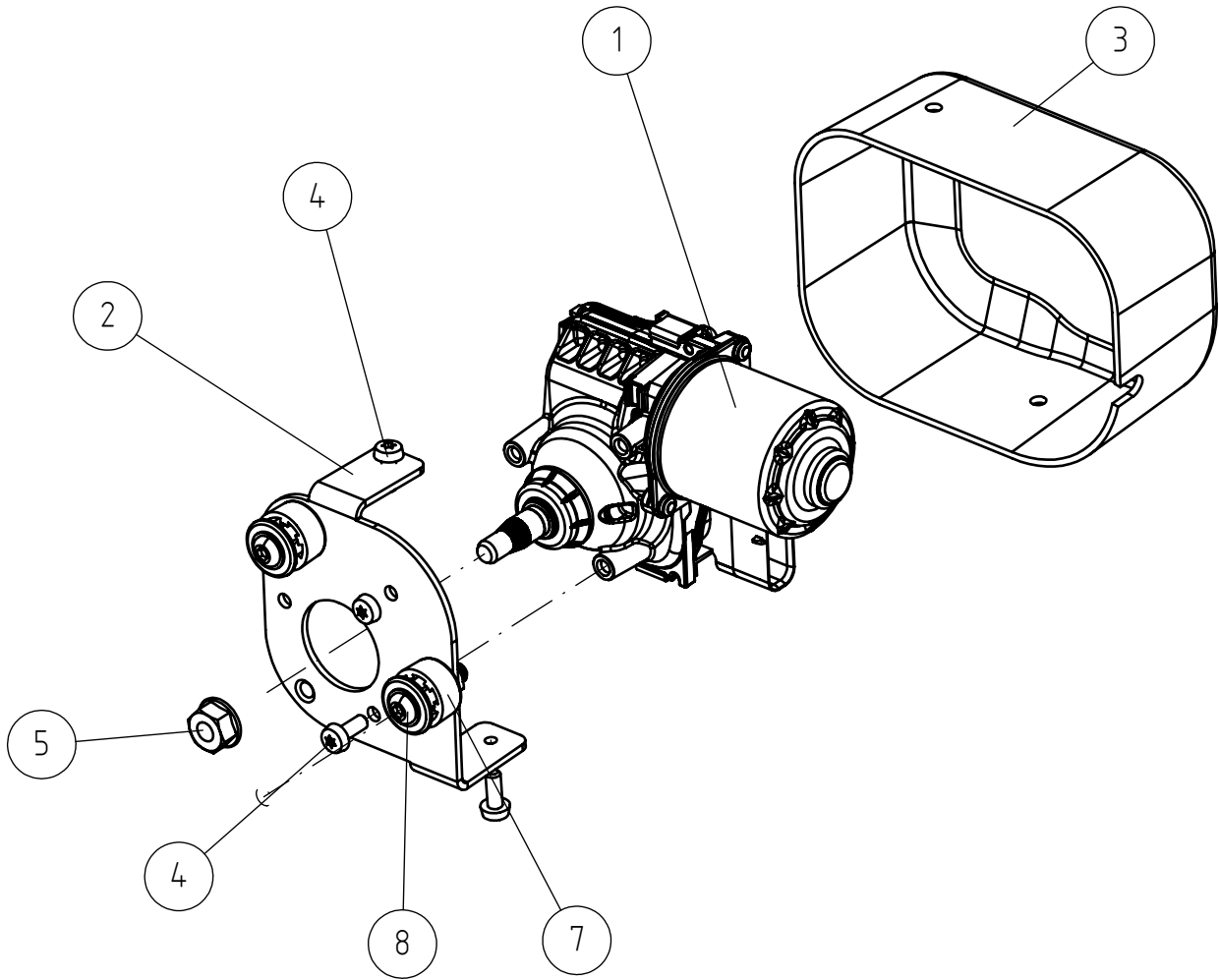
2.2.2024

**A445896 WINDSCREEN ASSEMBLY CAB GT**

REF	PART NO	QTY	DESCRIPTION	NOTES	PAGE
1	A412362	6	BRACKET, WINDSCREEN		-
2	A413839	1	WEATHER STRIP, WINDSCREEN, CAB DLX		-
3	A413848	1	WEATHER STRIP, WINDSCREEN SMALL, CAB DLX		-
4	74525	6	WASHER M8 8,4*20*1,25 ZN		-
5	A445897	1	WINDSCREEN CAB 500-700 SERIES		-
6	A434100	1	WINDSCREEN, LOWER, SMALL, CAB GT		-
7	75039	4	HEXAG. COUNTERSUNK HEAD SCREW M8*40		-
8	72320	6	HEXAGONAL NUT M8 NYLOC DIN 985		-
9	A449928	1	WINDSCREEN WIPER ASSEMBLY CAB GT		176
10	A443799	1	ARM, WINDSCREEN WIPER M10 L=302 WITH		-
11	65170	1	WIPER BLADE DOGA		-
12	A445904	1	SEAL MOTOR WINDSCREEN WIPER		-
13	A452085	1	WEATHER STRIP BETWEEN WINDSCREENS CAB GT		-
14	A455710	3	SOCKET ADHESIVE 19X19 CABLE TIE		-
15	A456336	1	HOSE WINDSCREEN WASHER CAB GT		-
16	A431459	3	CABLE TIE 3,6*281 BLACK		-

2.2.2024

# A449928 WINDSCREEN WIPER ASSEMBLY CAB GT





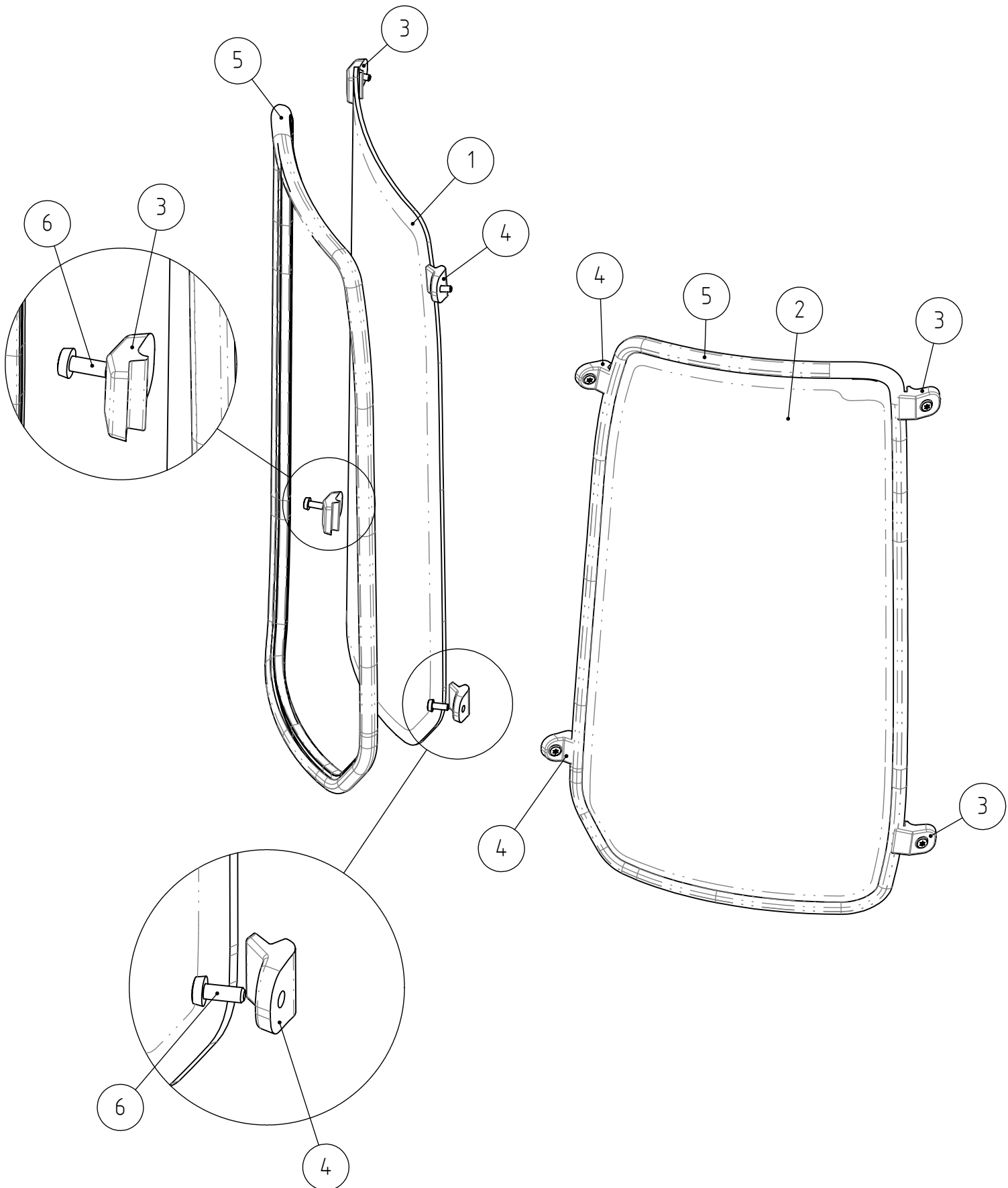
2.2.2024

**A449928 WINDSCREEN WIPER ASSEMBLY CAB GT**

REF	PART NO	QTY	DESCRIPTION	NOTES	PAGE
1	A444058	1	ELECTRIC MOTOR PROGRAMMED WINDSCREEN		-
2	A440457	1	BRACKET MOTOR WINDSCREEN WIPER		-
3	A440716	1	COVER MOTOR WINDSCREEN WIPER		-
4	A437544	4	THREAD-FORMING SCREW BLACK M6*16 DIN		-
5	74783	1	HEXAGONAL NUT M10 WITH FLANGE		-
6	A446546	2	BUSHING PLASTIC D16,9/D8 - L5,4		-
7	A446547	2	BUSHING PLASTIC D16,9/D8 - L15,3		-
8	A449933	2	HEXAGONAL HEAD SCREW M8*35 10.9		-

2.2.2024

# A436771 REAR WINDOWS CAB GT



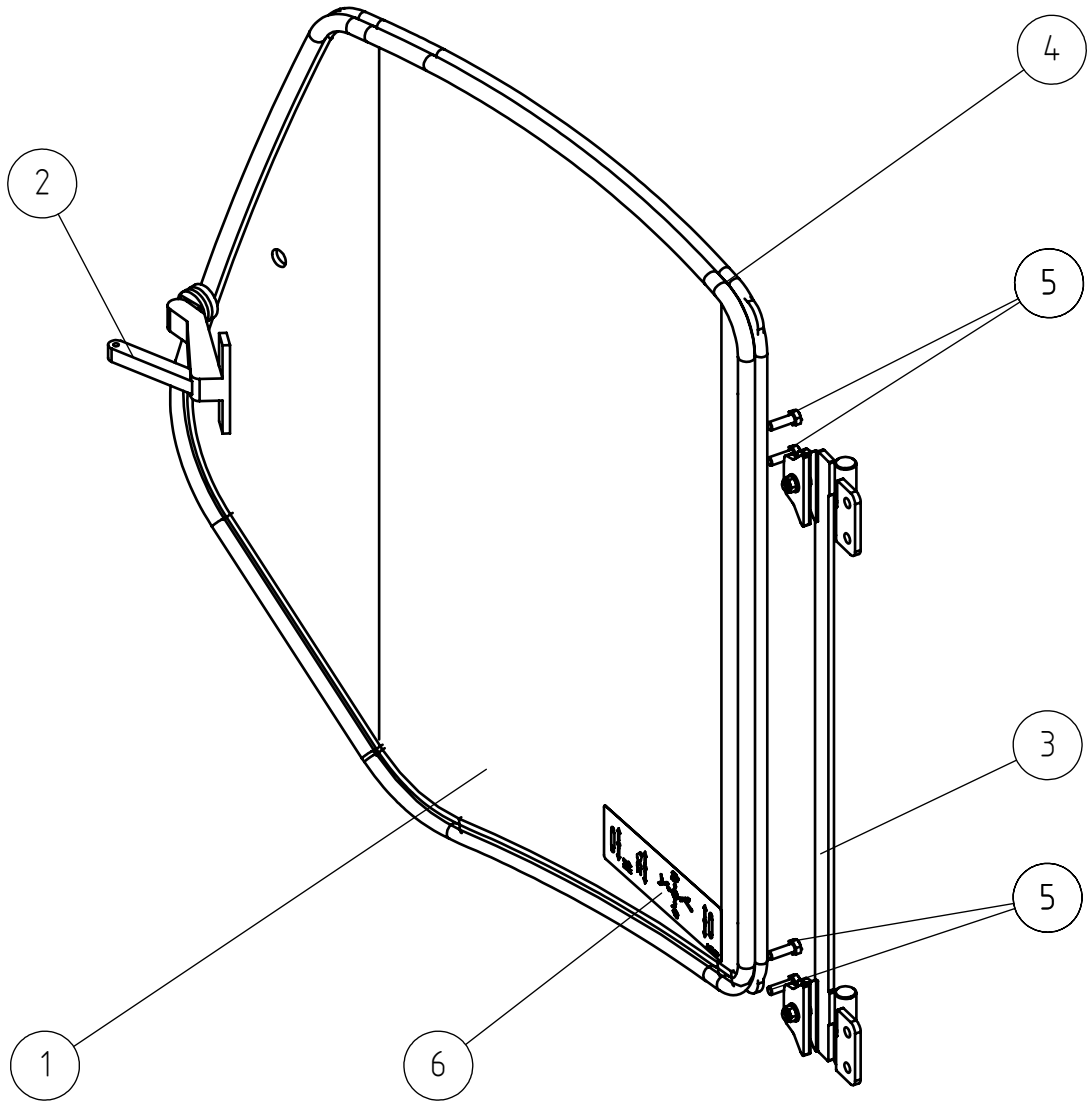
2.2.2024

**A436771 REAR WINDOWS CAB GT**

REF	PART NO	QTY	DESCRIPTION	NOTES	PAGE
1	A434932	1	REAR WINDOW LEFT CAB GT		-
2	A434114	1	REAR WINDOW RIGHT CAB GT		-
3	A435250	4	BRACKET OUTSIDE REAR WINDOW CAB GT		-
4	A435251	4	BRACKET INSIDE REAR WINDOW CAB GT		-
5	A436768	2	SEAL REAR WINDOW CAB GT		-
6	75129	8	THREAD-FORMING SCREW M6*16 DIN 7500C		-
-	A434932	1	REAR WINDOW LEFT CAB GT		-
-	A434114	1	REAR WINDOW RIGHT CAB GT		-
-	A435250	4	BRACKET OUTSIDE REAR WINDOW CAB GT		-
-	A435251	4	BRACKET INSIDE REAR WINDOW CAB GT		-
-	A436768	2	SEAL REAR WINDOW CAB GT		-

2.2.2024

# A434952 WINDOW RIGHT ASSEMBLY CAB GT



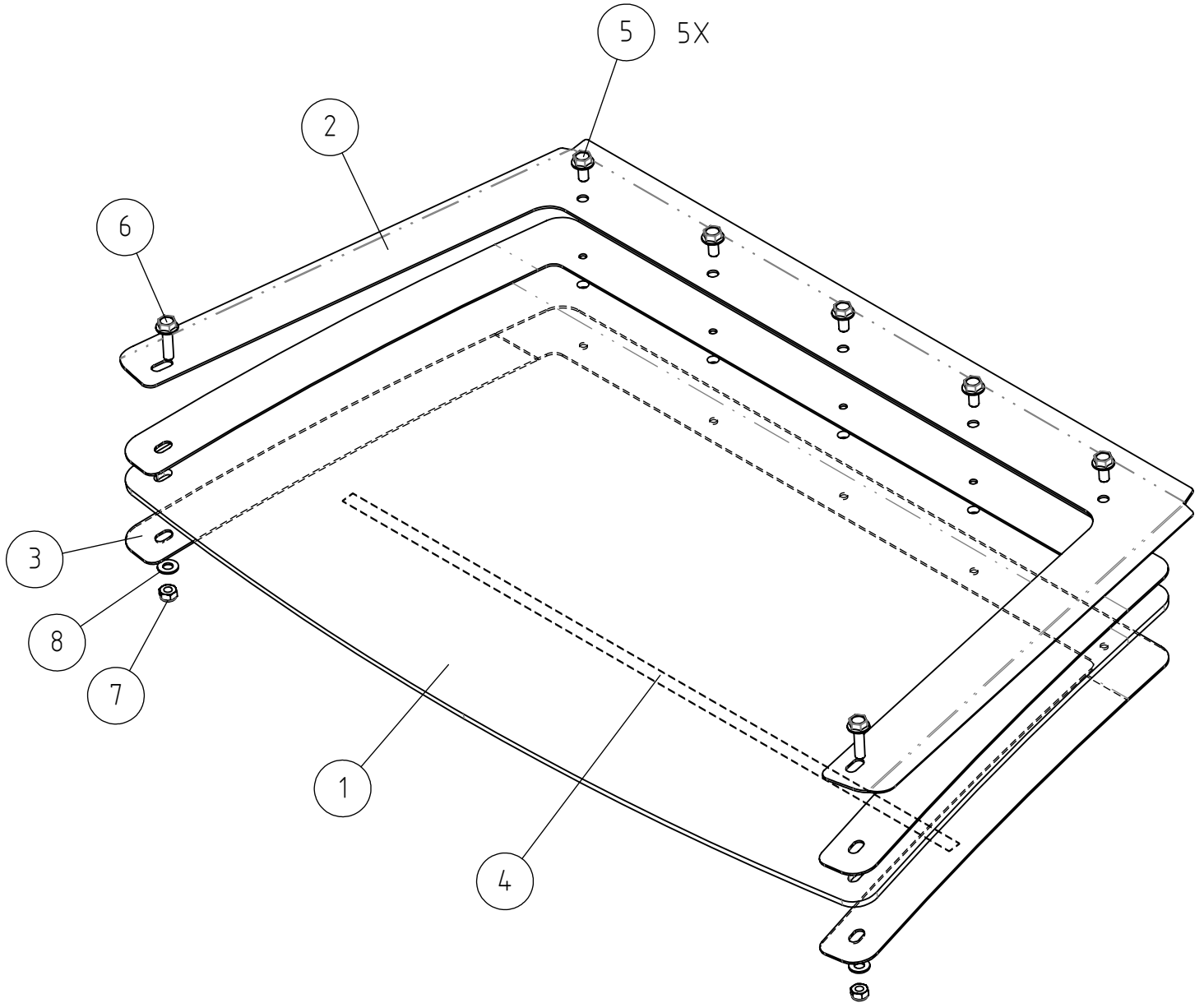
2.2.2024

**A434952 WINDOW RIGHT ASSEMBLY CAB GT**

REF	PART NO	QTY	DESCRIPTION	NOTES	PAGE
1	A411820	1	WINDOW, RIGHT, CAB DLX & GT		-
2	64983	1	HANDLE, WINDOW RIGHT, CAB 600 SERIES		-
2.1	66026	1	RELEASE PIN, OPENING MECHANISM WINDOW		-
3	A434953	1	BRACKET ASSEMBLY SIDE WINDOW CAB		-
4	A413843	1	WEATHER STRIP, SIDE WINDOW, CAB DLX		-
5	72132	4	HEXAGONAL SCREW M 8*25 DIN 933 ZN		-
6	A441320	1	DECAL CONTROLS CAB GT RIGHT WINDOW		-

2.2.2024

# A436900 SUNROOF ASSEMBLY CAB GT



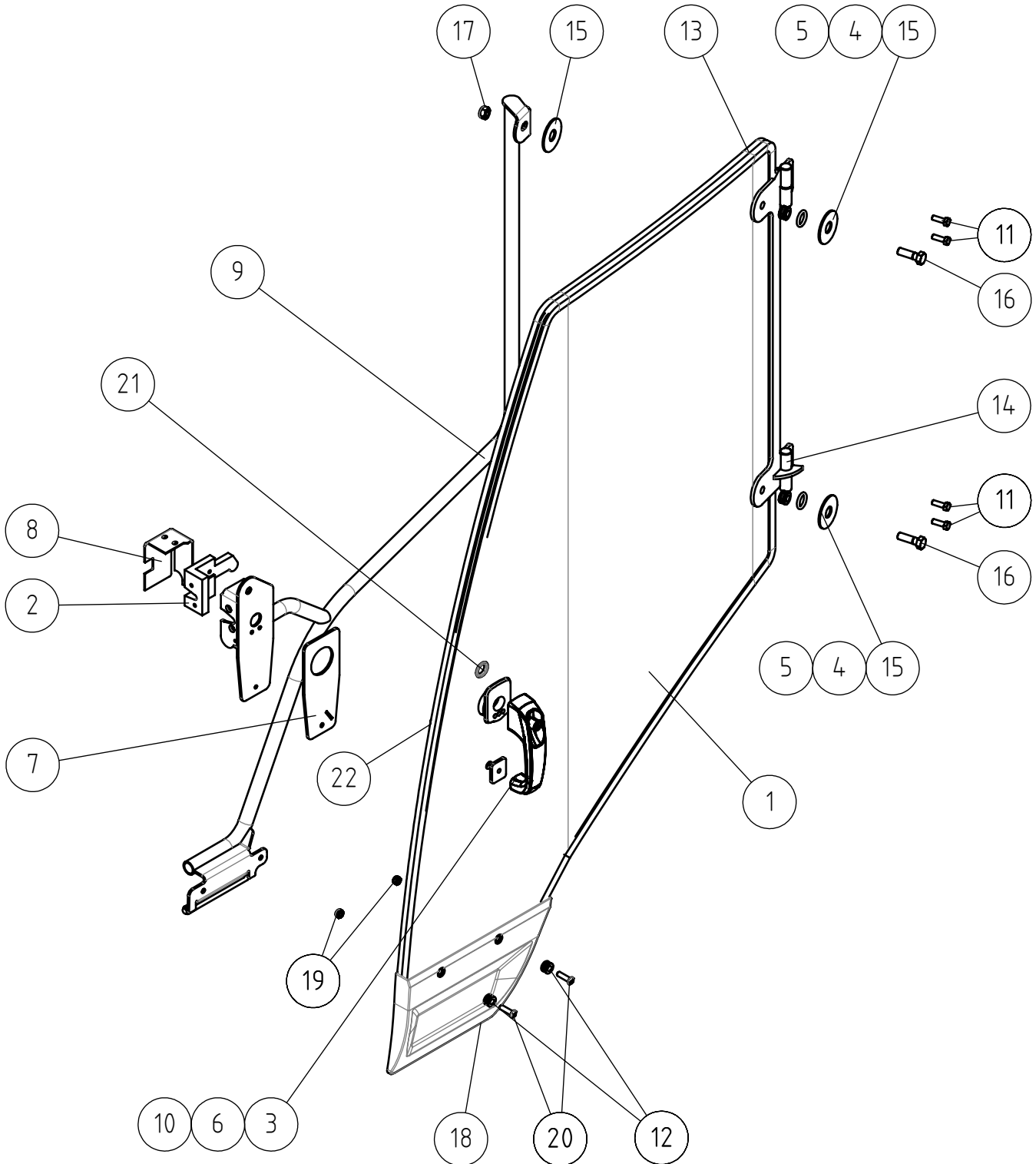
2.2.2024

**A436900 SUNROOF ASSEMBLY CAB GT**

REF	PART NO	QTY	DESCRIPTION	NOTES	PAGE
1	A434638	1	SUNROOF PLATE CAB GT		-
2	A434637	1	FRAME SUNROOF PLATE CAB GT		-
3	A436903	2	SEAL SUNROOF CAB GT		-
4	A436908	1	TAPE ACRYLIC TWO-SIDED		-
5	A429200	5	HEXAGONAL SERRATED SCREW M8*16 WITH		-
6	A429203	2	HEXAGONAL SERRATED SCREW M8*30 WITH		-
7	72320	2	HEXAGONAL NUT M8 NYLOC DIN 985		-
8	73122	2	WASHER M8 A8,4 DIN 125 ZN		-
-	A434638	1	SUNROOF PLATE CAB GT		-
-	A436903	1	SEAL SUNROOF CAB GT		-

2.2.2024

# A434950 DOOR ASSEMBLY CAB GT





2.2.2024

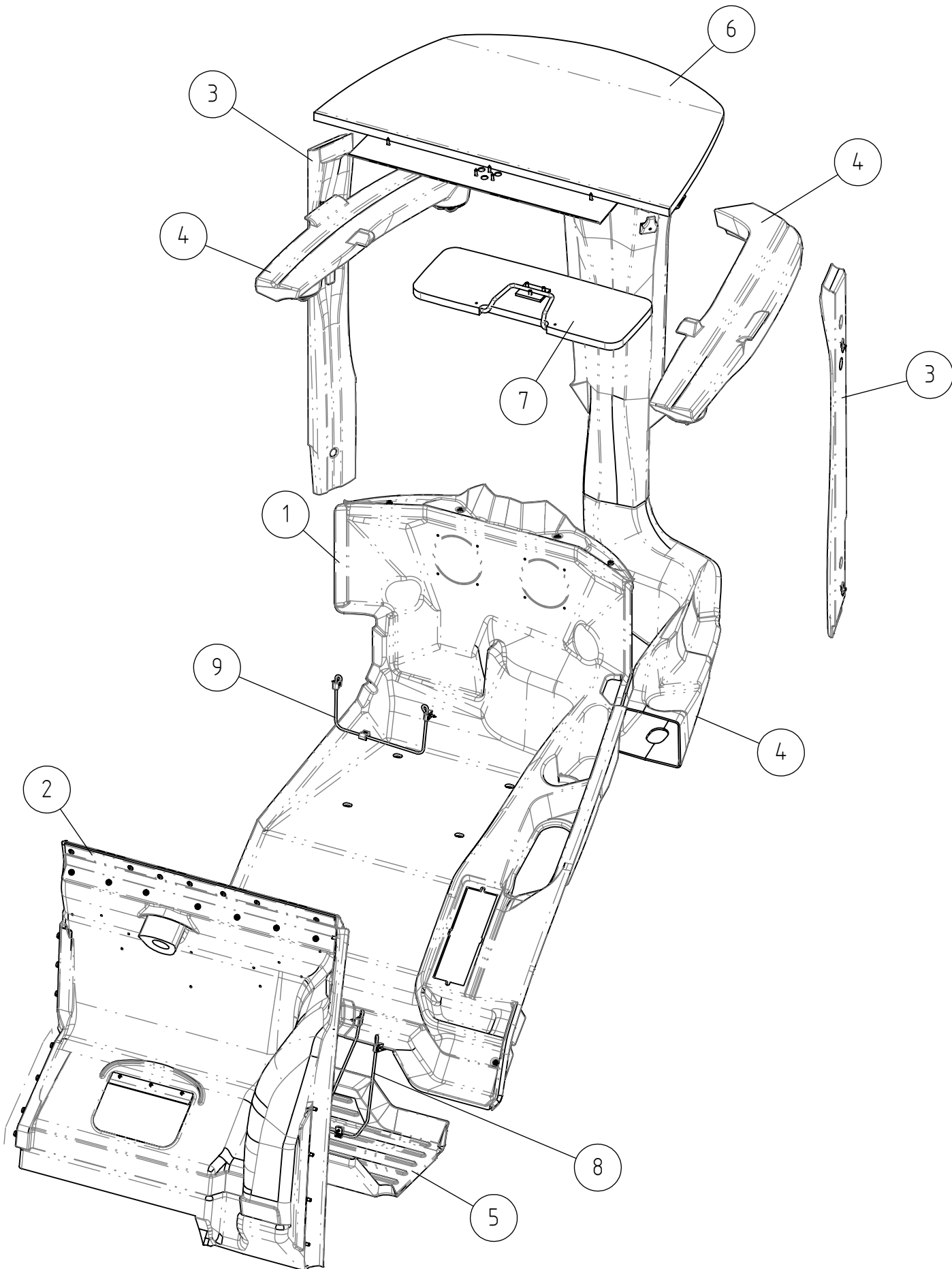
**A434950 DOOR ASSEMBLY CAB GT**

REF	PART NO	QTY	DESCRIPTION	NOTES	PAGE
1	A411823	1	DOOR PLATE, SAFETY GLASS, CAB DLX & GT		-
2	64981	1	LOCK BODY		-
3	65025	1	HANDLE, DOOR, CAB		-
4	74856	2	O-RING NBR F 20,0 * 5,0 70SH		-
5	A412329	2	BUSHING		-
6	65026	1	SUBPLATE, DOOR HANDLE 20325-01		-
7	A47957	1	PLATE		-
8	A412344	1	COVER PLATE		-
9	A34859	1	FRAME, DOOR, CAB DLX & GT		-
10	65027	1	SUBPLATE, DOOR HANDLE		-
11	72132	4	HEXAGONAL SCREW M 8*25 DIN 933 ZN		-
12	64985	2	GROMMET F19/13/10,S=5H=11		-
13	A435077	1	WEATHER STRIP DOOR CAB GT		-
14	A434951	1	HINGE LOWER, DOOR CAB GT		-
15	A412327	4	RUBBER WASHER		-
16	73322	2	HEXAGONAL SCREW M12*40 DIN 931		-
17	72324	2	HEXAGONAL NUT M 12 NYLOC DIN 985		-
18	A435102	1	RUBBER PLATE, LOWER, DOOR CAB GT		-
19	72320	2	HEXAGONAL NUT M8 NYLOC DIN 985		-
20	A439829	2	HEXAGONAL HEAD SCREW M8*30 10.9 2		-
21	A440993	1	RUBBER PLUG D29/D25,8 H12 60SH		-
22	A453884	1	BRACKET		-

184/236

2.2.2024

# A453489 UPHOLSTERY ASSEMBLY CAB GT



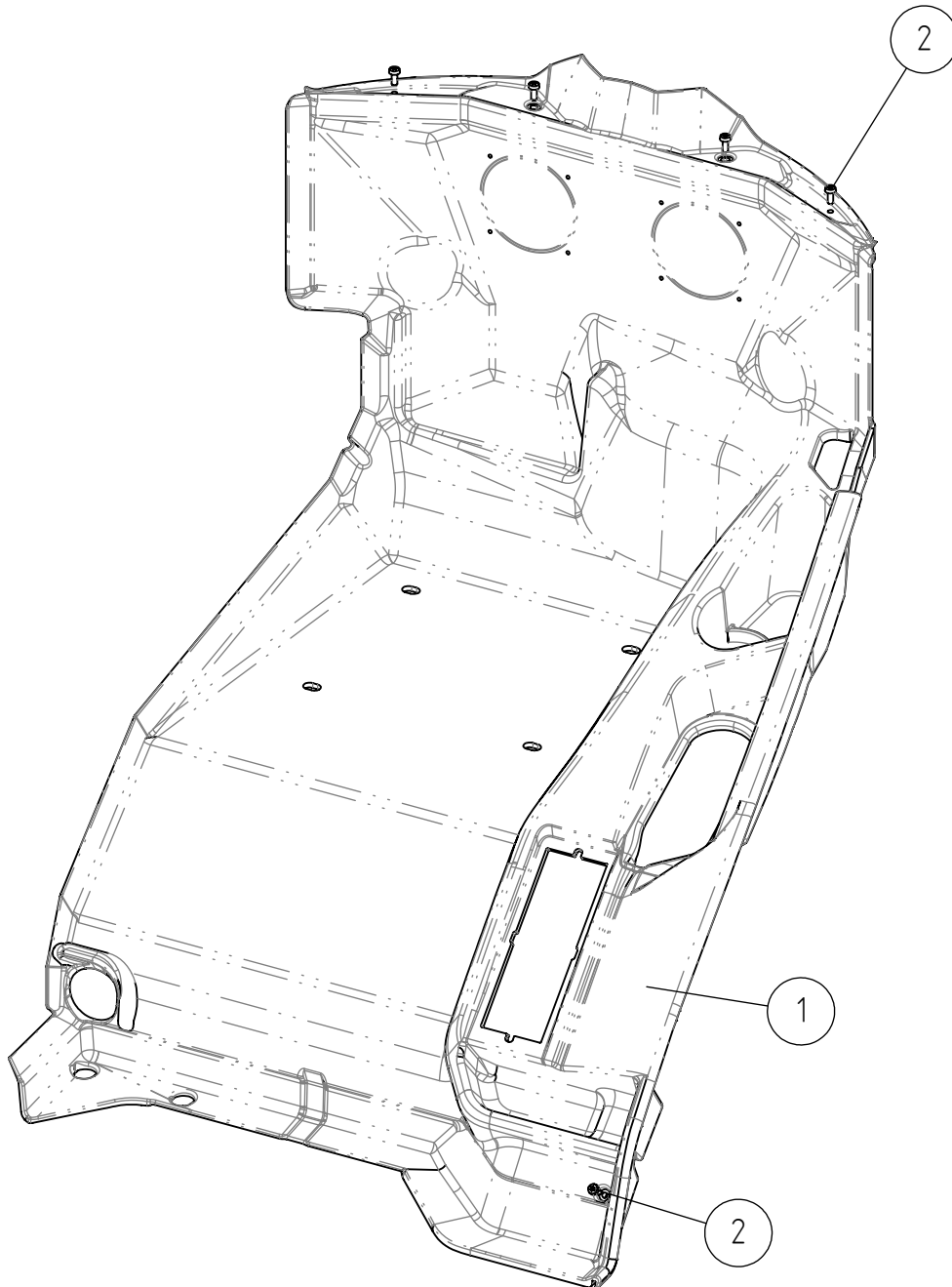
2.2.2024

**A453489 UPHOLSTERY ASSEMBLY CAB GT**

REF	PART NO	QTY	DESCRIPTION	NOTES	PAGE
1	A434208	1	FLOOR MAT ASSEMBLY CAB GT		188
2	A436615	1	HEAT SHIELD ASSEMBLY CAB GT		190
3	A436754	1	UPHOLSTERY PANELS B-PILLARS CAB GT		192
4	A436635	1	AIR DUCTS ASSEMBLY CAB GT		194
5	A434410	1	SERVICE HATCH ASSEMBLY CAB GT		196
6	A438892	1	UPHOLSTERY ASSEMBLY CEILING CAB GT		198
7	A438887	1	SUN VISOR ASSEMBLY CAB GT		200
8	A438452	1	NET POCKET ASSEMBLY CAB GT		202
9	A438443	1	NET POCKET REAR ASSEMBLY CAB GT		204

2.2.2024

# A434208 FLOOR MAT ASSEMBLY CAB GT



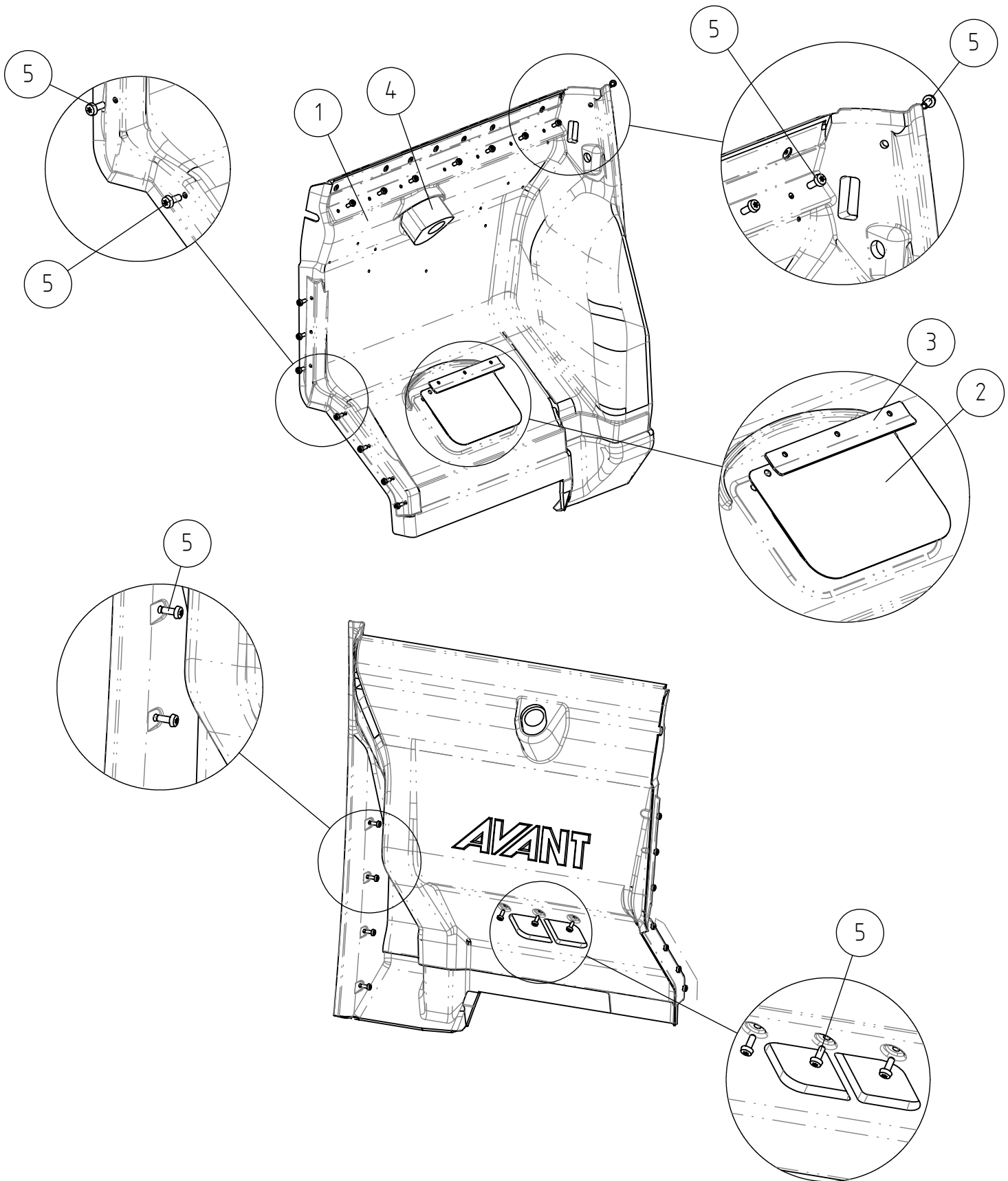
2.2.2024

**A434208 FLOOR MAT ASSEMBLY CAB GT**

REF	PART NO	QTY	DESCRIPTION	NOTES	PAGE
1	A434207	1	COVER PANEL FLOOR ASSEMBLY CAB GT		-
2	75129	5	THREAD-FORMING SCREW M6*16 DIN 7500C		-

2.2.2024

# A436615 HEAT SHIELD ASSEMBLY CAB GT



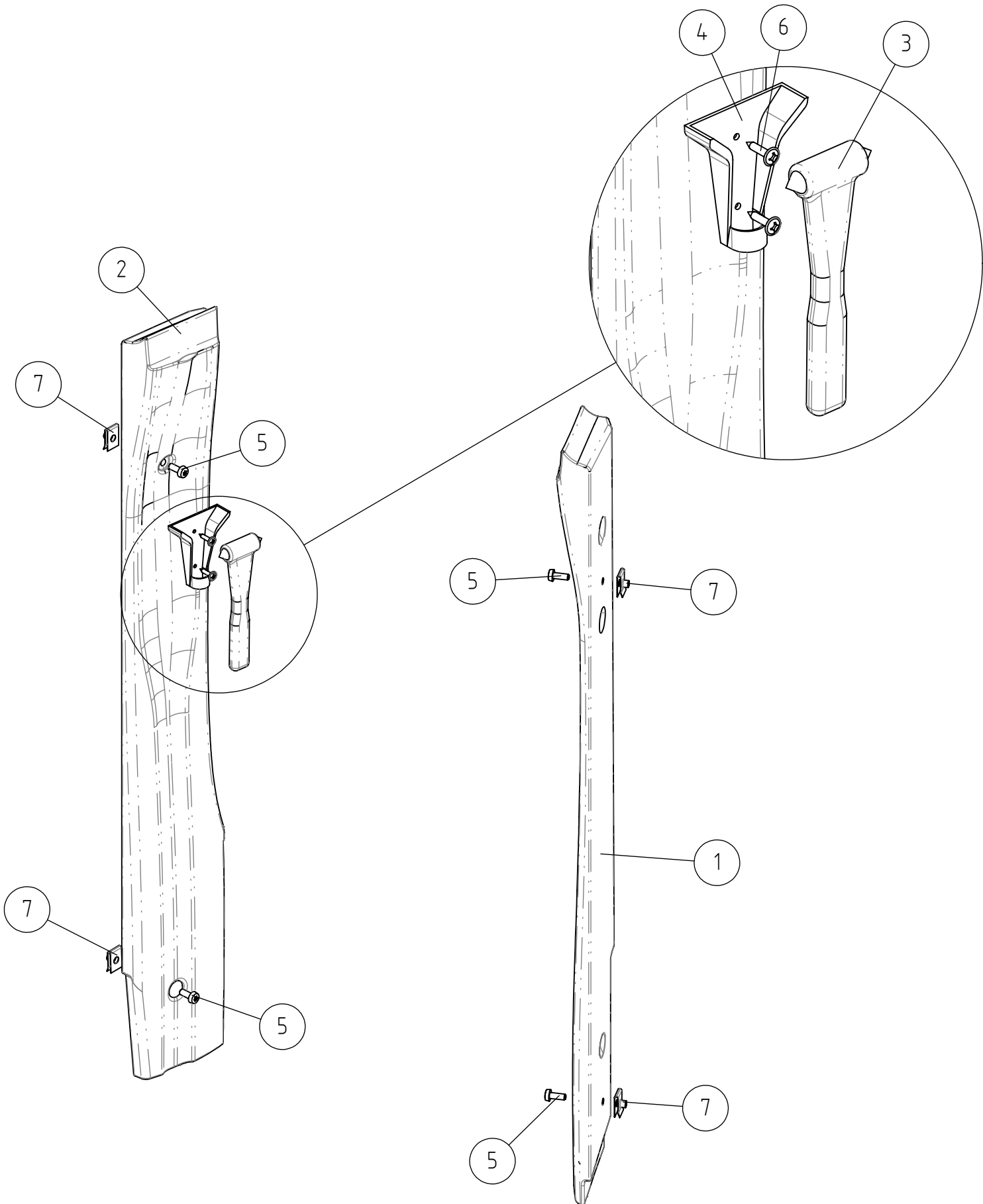
2.2.2024

**A436615 HEAT SHIELD ASSEMBLY CAB GT**

REF	PART NO	QTY	DESCRIPTION	NOTES	PAGE
1	A434678	1	HEAT SHIELD CAB GT		-
2	A436879	1	RUBBER PLATE DOOR CAB GT		-
3	A436880	1	MOUNTING BRACKET RUBBER PLATE DOOR CAB		-
4	A439956	1	RUBBER BUSHING STEERING COLUMN		-
5	75129	22	THREAD-FORMING SCREW M6*16 DIN 7500C		-

2.2.2024

# A436754 UPHOLSTERY PANELS B-PILLARS CAB GT





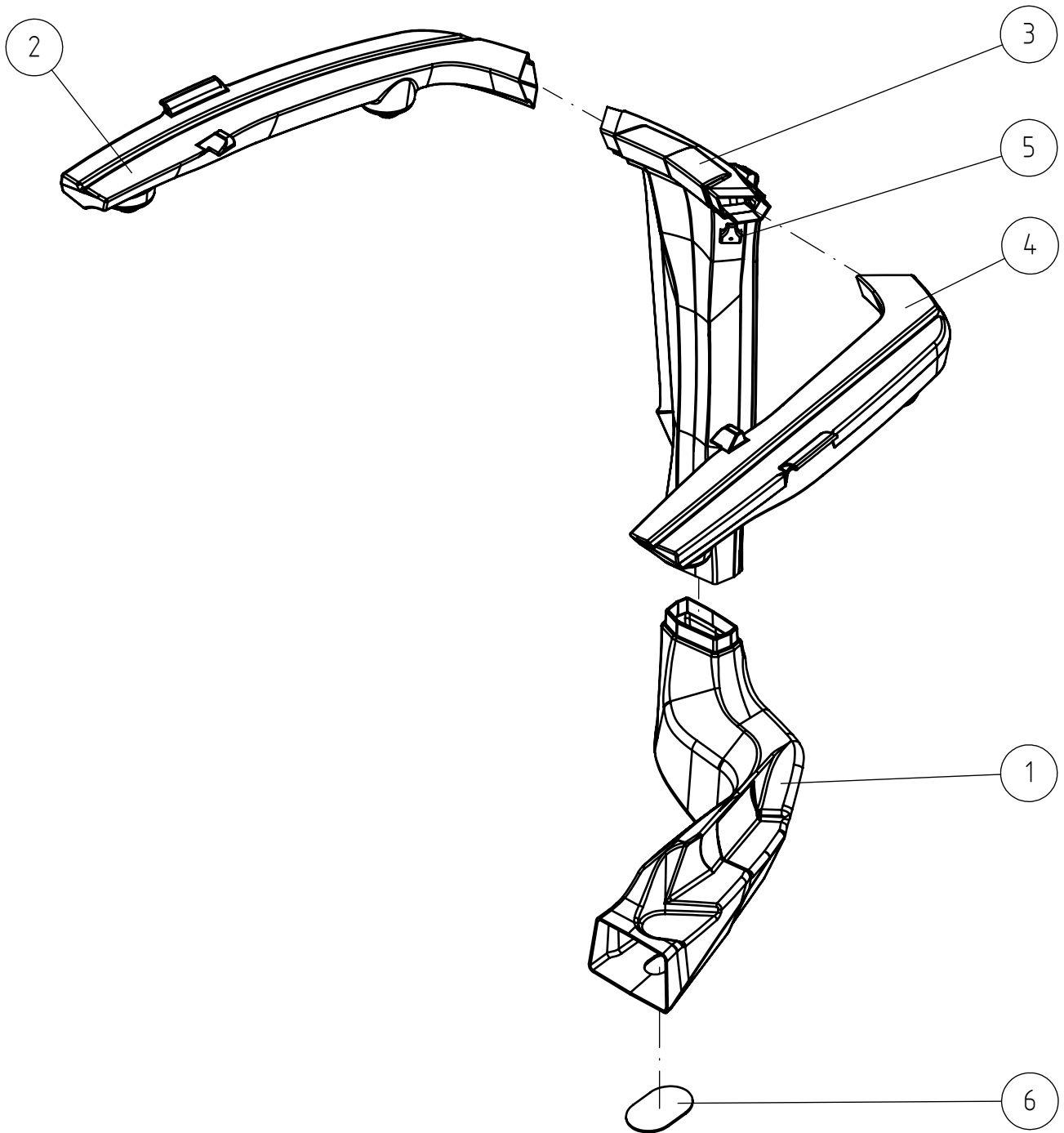
2.2.2024

**A436754 UPHOLSTERY PANELS B-PILLARS CAB GT**

REF	PART NO	QTY	DESCRIPTION	NOTES	PAGE
1	A436420	1	UPHOLSTERY PANEL B-PILLAR LEFT CAB GT		-
2	A436524	1	UPHOLSTERY PANEL B-PILLAR RIGHT CAB GT		-
3	64986	1	EMERGENCY HAMMER HAPPICH RED		-
4	64987	1	BRACKET, EMERGENCY HAMMER		-
5	75129	4	THREAD-FORMING SCREW M6*16 DIN 7500C		-
6	A431729	2	PAN HEAD MACHINE SCREW M3,9*19		-
7	74807	4	SPEED NUT M6, FOR 0.5-4.0 MM PLATE		-

2.2.2024

# A436635 AIR DUCTS ASSEMBLY CAB GT



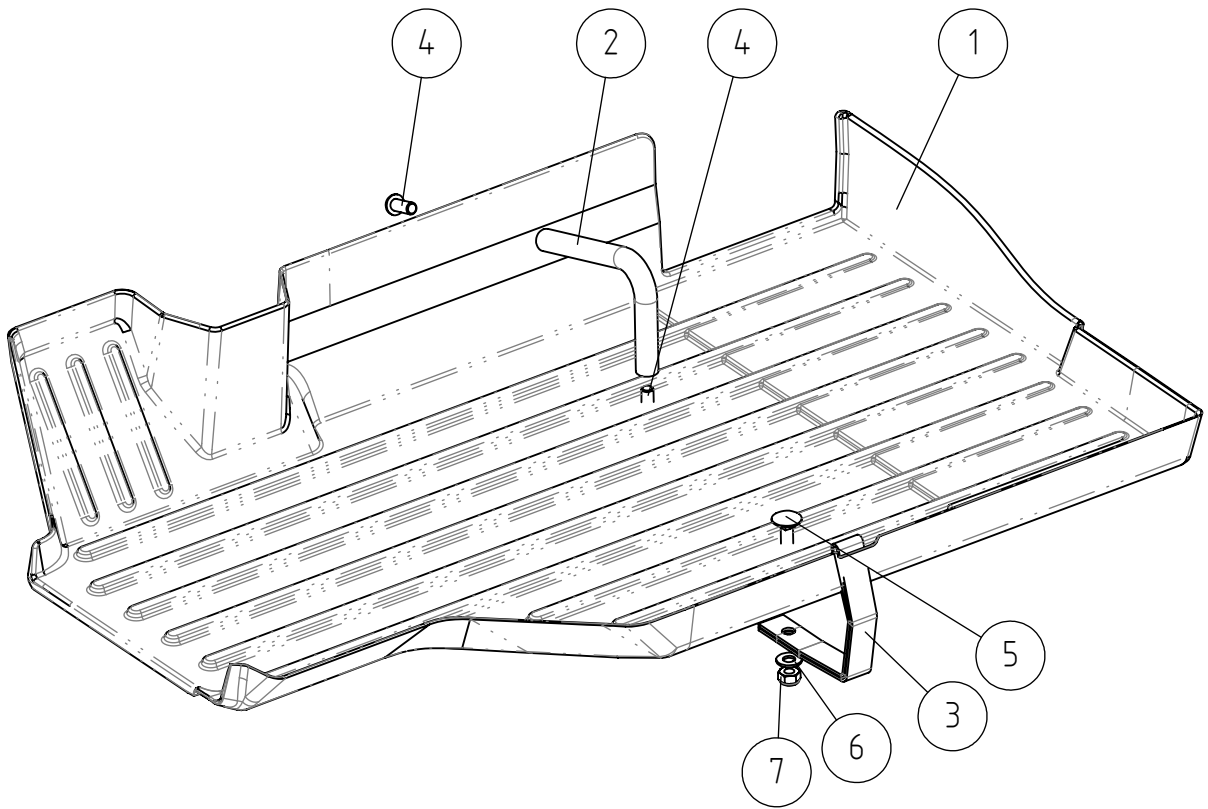
2.2.2024

**A436635 AIR DUCTS ASSEMBLY CAB GT**

REF	PART NO	QTY	DESCRIPTION	NOTES	PAGE
1	A436413	1	AIR DUCT LOWER CAB GT		-
2	A436415	1	AIR DUCT CEILING RIGHT CAB GT		-
3	A436479	1	AIR DUCT VERTICAL CAB GT		-
4	A436417	1	AIR DUCT CEILING LEFT CAB GT		-
5	65072	1	COAT HOOK HAPPICH BLACK		-
6	A439839	1	COVER PLATE AIR DUCT CAB GT		-

2.2.2024

# A434410 SERVICE HATCH ASSEMBLY CAB GT



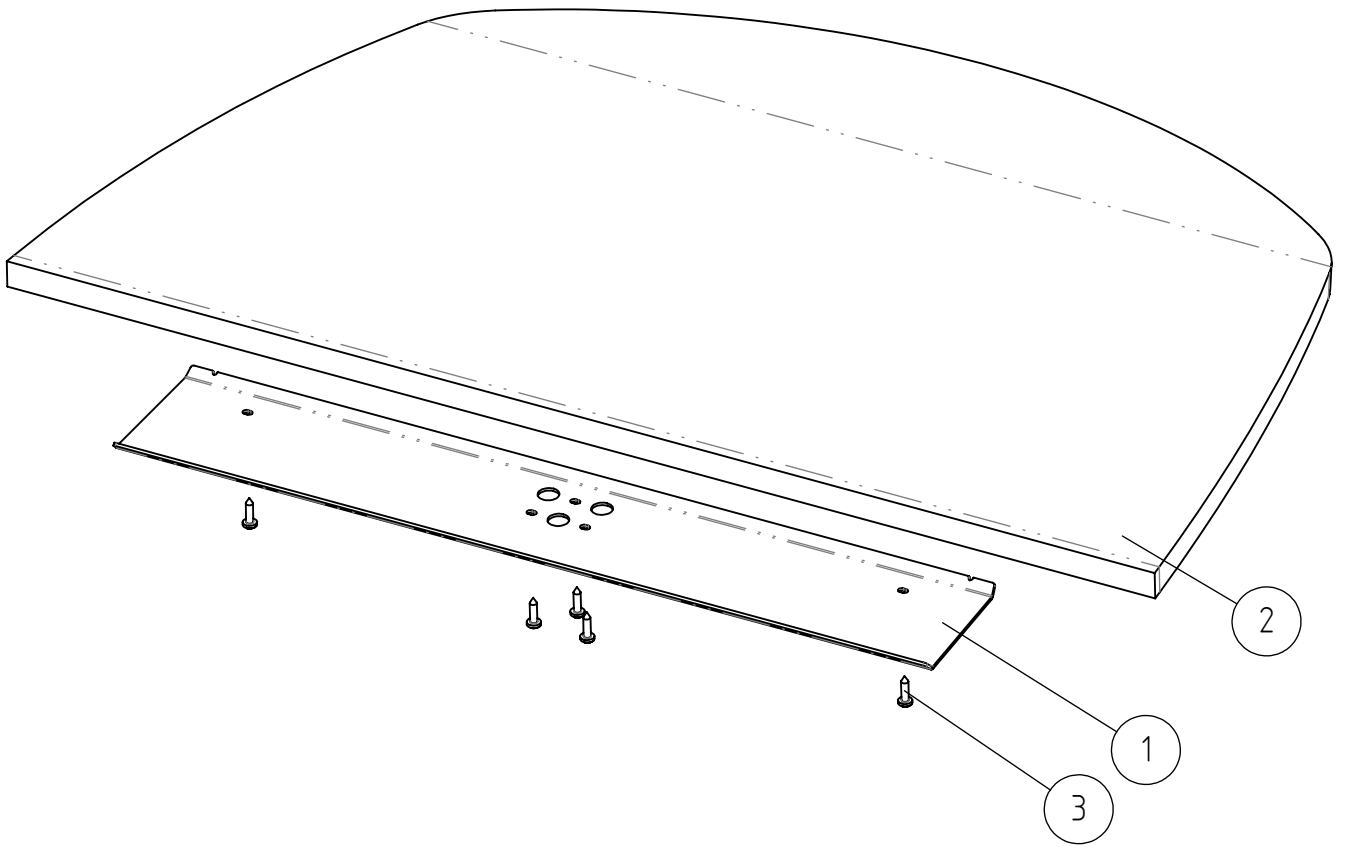
2.2.2024

**A434410 SERVICE HATCH ASSEMBLY CAB GT**

REF	PART NO	QTY	DESCRIPTION	NOTES	PAGE
1	A437490	1	SERVICE HATCH CAB GT		-
2	A438964	1	GUARD BAR CAB GT		-
3	A436742	1	HANDLE SERVICE HATCH CAB GT		-
4	75152	2	BUTTON HEAD SOCKET CAP SCREW M8*20 10.9		-
5	74836	1	CARRIAGE BOLT M8*20		-
6	73122	1	WASHER M8 A8,4 DIN 125 ZN		-
7	72320	1	HEXAGONAL NUT M8 NYLOC DIN 985		-

2.2.2024

# A438892 UPHOLSTERY ASSEMBLY CEILING CAB GT



2.2.2024

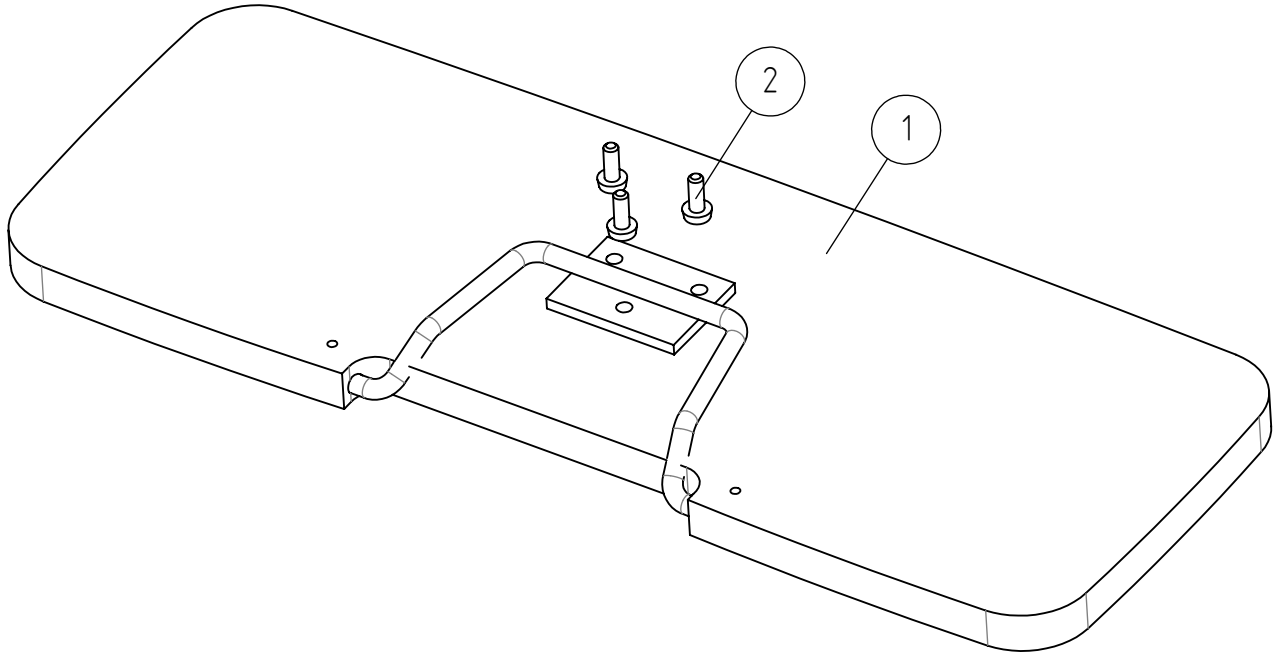
**A438892 UPHOLSTERY ASSEMBLY CEILING CAB GT**

REF	PART NO	QTY	DESCRIPTION	NOTES	PAGE
1	A434346	1	UPHOLSTERY PLATE CAB GT		-
2	A436244	1	UPHOLSTERY CEILING CAB GT		-
3	A463689	5	TAPPING SCREW 4,8X19 DIN 7981C		-

198/236

2.2.2024

**A438887 SUN VISOR ASSEMBLY CAB GT**





2.2.2024

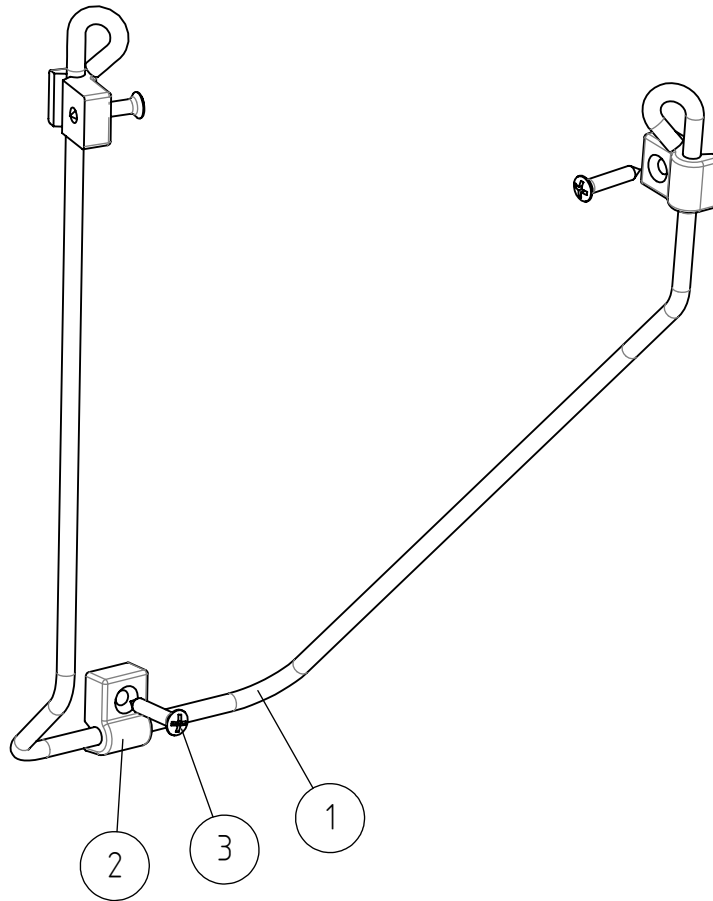
**A438887 SUN VISOR ASSEMBLY CAB GT**

REF	PART NO	QTY	DESCRIPTION	NOTES	PAGE
1	A438885	1	SUN VISOR 500X183 BLACK		-
2	A437544	3	THREAD-FORMING SCREW BLACK M6*16 DIN		-

200/236

2.2.2024

# A438452 NET POCKET ASSEMBLY CAB GT



2.2.2024

**A438452 NET POCKET ASSEMBLY CAB GT**

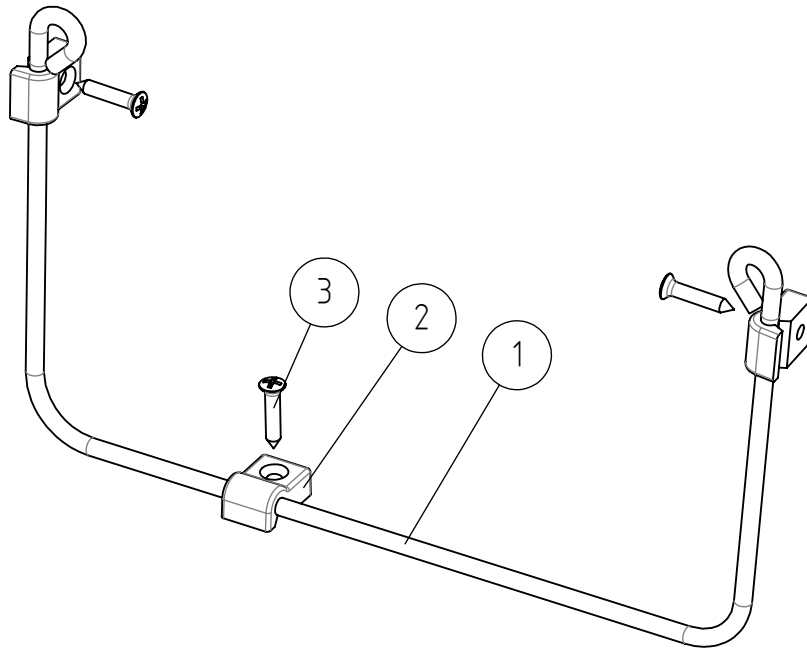
REF	PART NO	QTY	DESCRIPTION	NOTES	PAGE
1	A438448	1	NET POCKET CAB GT		-
2	A438436	3	MOUNTING BRACKET NET POCKET CAB GT		-
3	A438444	3	TAPPING SCREW 3,9/7,5 X 20 DIN 7983		-

202/236

2.2.2024

---

# A438443 NET POCKET REAR ASSEMBLY CAB GT



2.2.2024

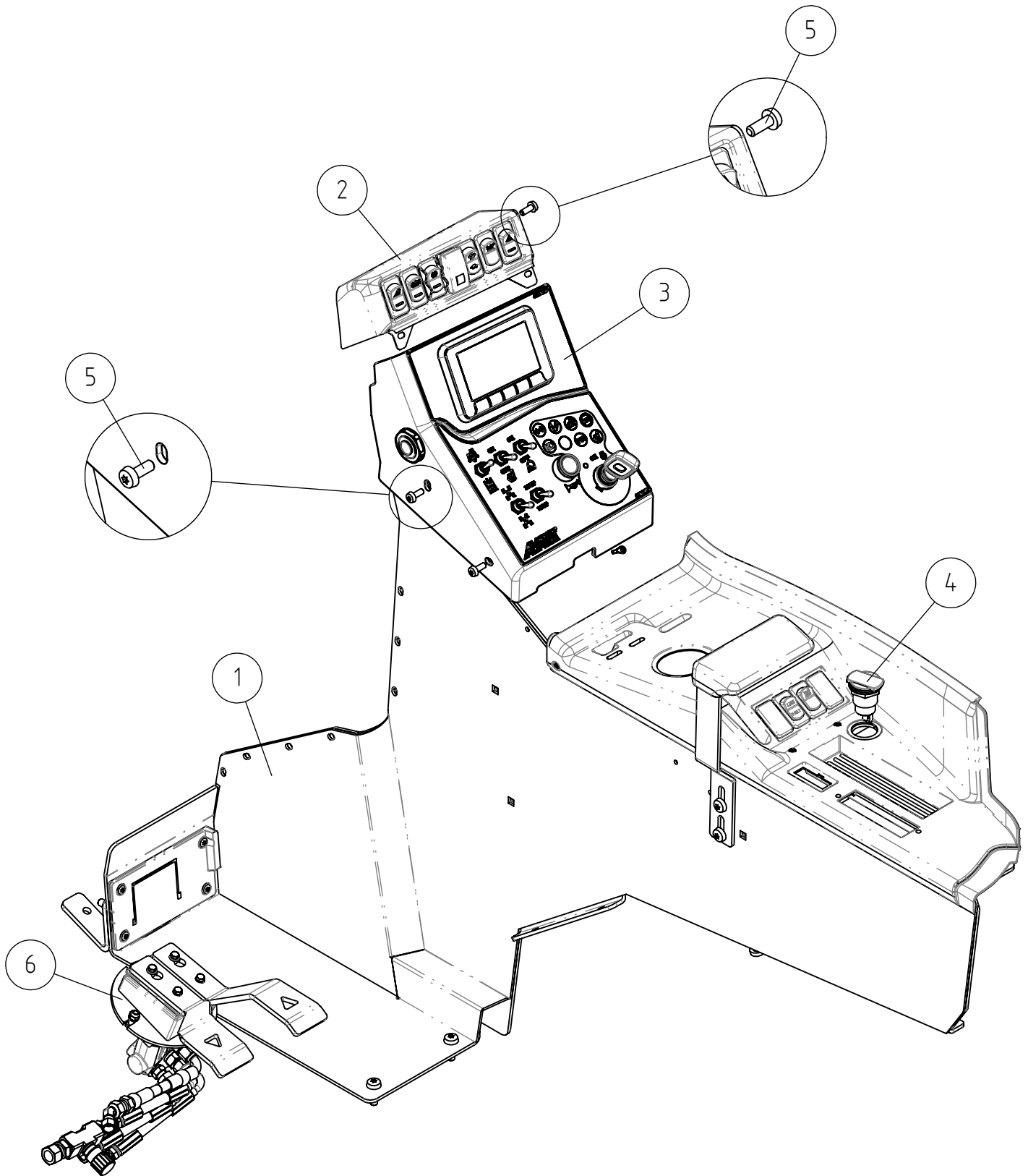
**A438443 NET POCKET REAR ASSEMBLY CAB GT**

REF	PART NO	QTY	DESCRIPTION	NOTES	PAGE
1	A438434	1	FRAME NET POCKET CAB GT		-
2	A438436	3	MOUNTING BRACKET NET POCKET CAB GT		-
3	A438444	3	TAPPING SCREW 3,9/7,5 X 20 DIN 7983		-

204/236

2.2.2024

# A448127 CONTROLS ASSEMBLY CAB GT



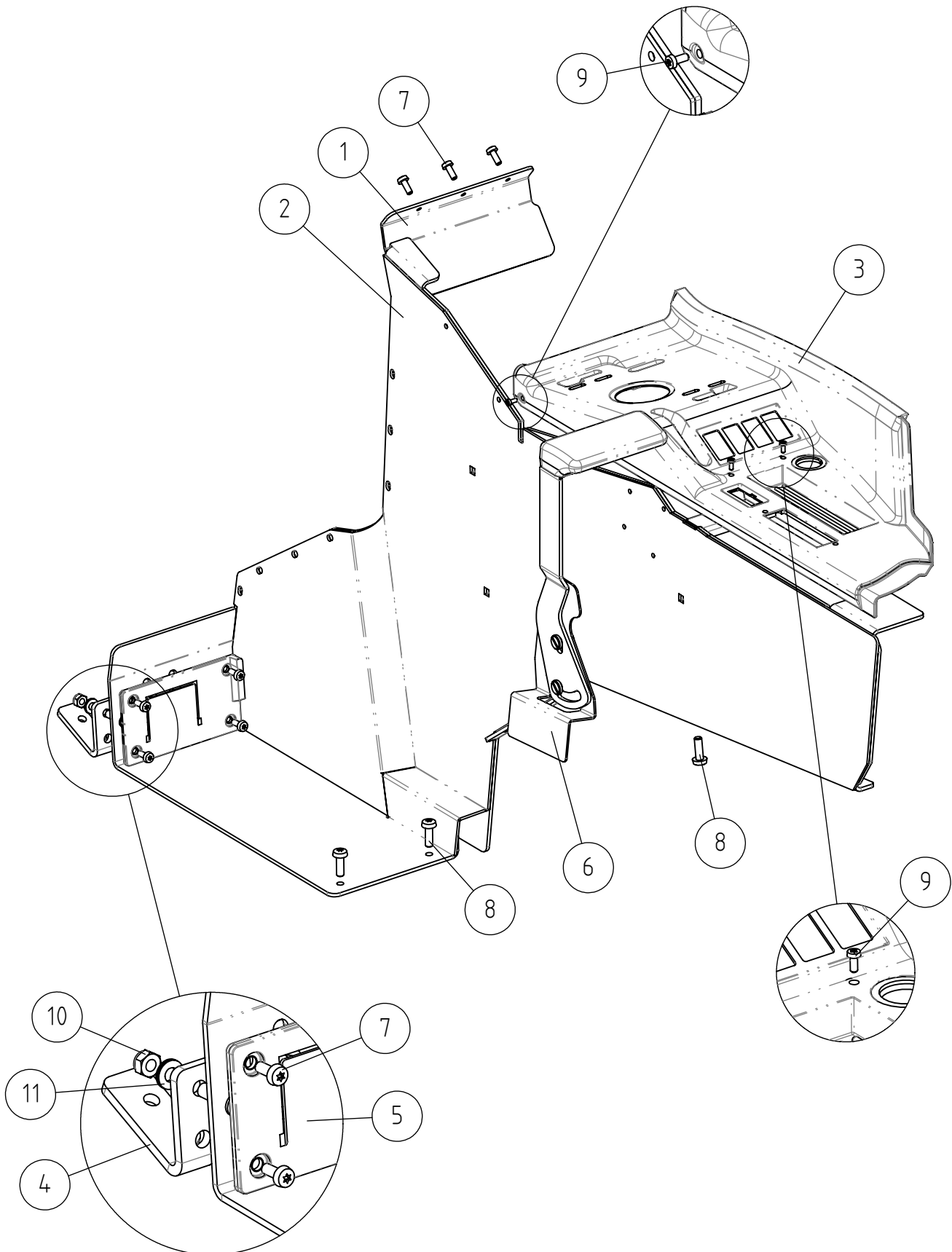
2.2.2024

**A448127 CONTROLS ASSEMBLY CAB GT**

REF	PART NO	QTY	DESCRIPTION	NOTES	PAGE
1	A465450	1	CONTROLS ASSEMBLY CAB GT		208
2	A436212	1	HOUSING SWITCHES ASSEMBLY CAB GT		-
3	A436574	1	DASHBOARD CAB GT / DLX		210
3.1	A436098	1	WIRE HARNESS DASHBOARD		-
3.2	A425315	1	INDICATOR LIGHTS DASHBOARD		-
3.3	A440326	1	ALARM BEEPER D28,5/D45 -H47		-
3.4	A436572	1	PANEL ABS GAUGES CAB DLX		-
3.5	66156	1	IGNITION SWITCH 12V/30A/60A IP65 COBO		-
3.6	A442322	1	ROCKER SWITCH ON-OFF-MOM 3-POLE		-
3.7	A443283	4	TOGGLE SWITCH ON-OFF 2-POLE		-
3.8	64074	1	PUSH BUTTON F22,5 SIGNAL HORN		-
3.9	A436674	1	MOUNTING FRAME ASSEMBLY SWITCH PANEL CAB		-
3.10	A436642	1	MOUNTING FRAME ASSEMBLY DISPLAY CAB		-
4	A436424	1	OUTLET 12V/20A WITH COVER		-
5	75129	3	THREAD-FORMING SCREW M6*16 DIN 7500C		-
6	A449873	1	DRIVE PEDAL ASSEMBLY CAB GT		-

206/236

# A465450 CONTROLS ASSEMBLY CAB GT





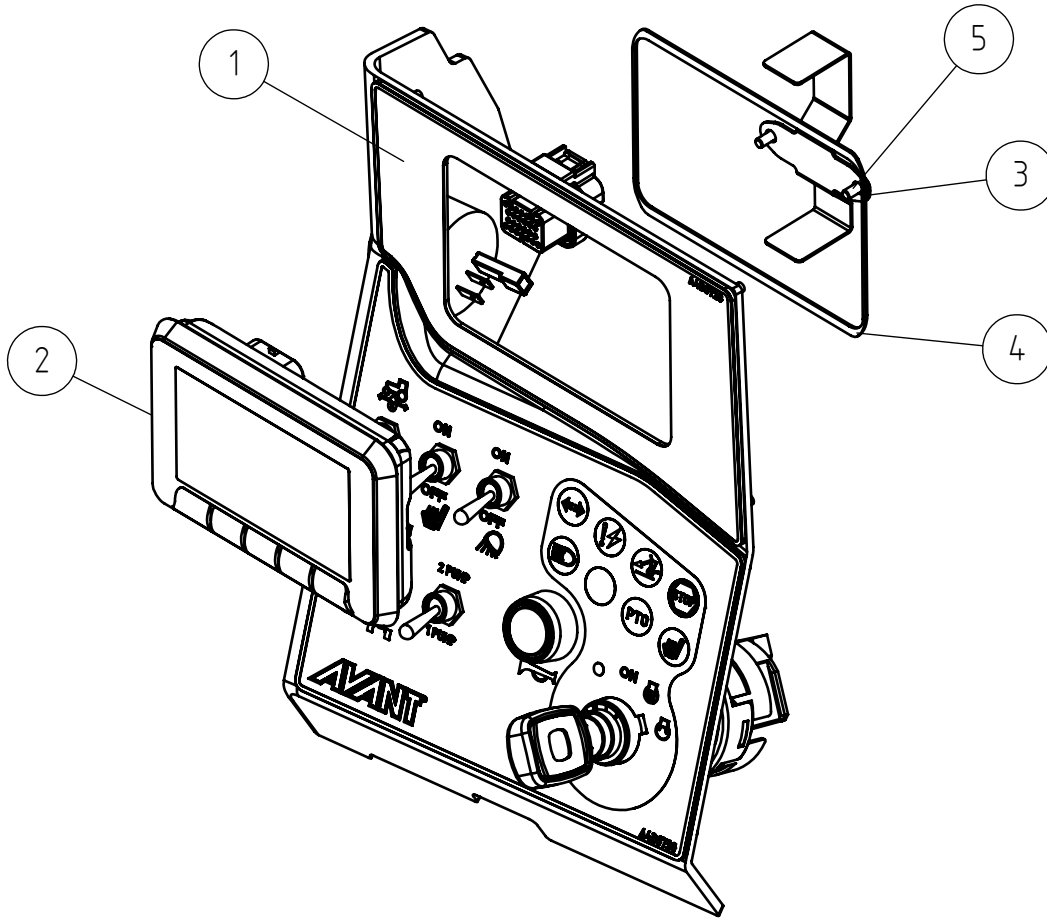
2.2.2024

**A465450 CONTROLS ASSEMBLY CAB GT**

REF	PART NO	QTY	DESCRIPTION	NOTES	PAGE
1	A449855	1	MOUNTING PLATE CONTROL VALVE CAB GT		-
2	A449863	1	MOUNTING PLATE CONTROL VALVE WITH		-
3	A436540	1	INSTRUMENT PANEL CAB GT		-
4	A449818	1	MOUNTING PLATE DRIVE PEDAL CAB GT		-
5	A434607	1	SEALING PLATE ASSEMBLY DRIVE PEDALS CAB		-
6	A454221	1	ARMREST RIGHT CAB GT		-
7	75129	7	THREAD-FORMING SCREW M6*16 DIN 7500C		-
8	75128	3	THREAD-FORMING SCREW M8*25 DIN 7500C		-
9	A438375	3	THREAD-FORMING SCREW 4*10		-
10	72320	2	HEXAGONAL NUT M8 NYLOC DIN 985		-
11	63944	2	WASHER, PAIR, NORD-LOCK M8		-

208/236

# A436574 DASHBOARD CAB GT / DLX



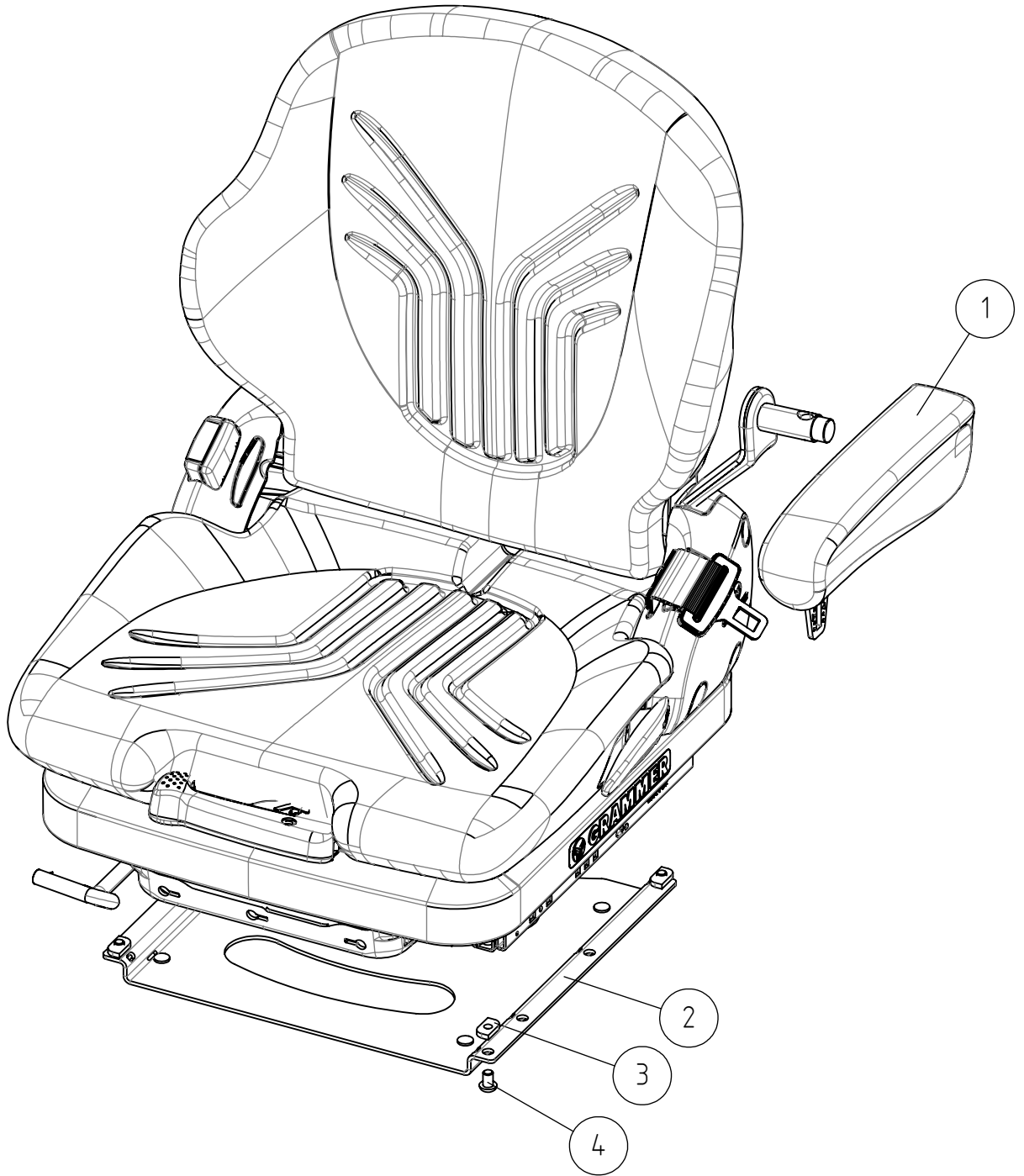
2.2.2024

**A436574 DASHBOARD CAB GT / DLX**

REF	PART NO	QTY	DESCRIPTION	NOTES	PAGE
1	A456501	1	DASHBOARD WITHOUT DISPLAY CAB GT		-
2	A428466	1	DISPLAY 4,3" COLOUR LED		-
3	A423587	1	MOUNTING PLATE DISPLAY		-
4	A436780	1	GROUNDING FRAME CANVIEW4 GAUGE PANEL		-
5	A431502	2	PAN HEAD MACHINE SCREW M4*8		-
-	A436098	1	WIRE HARNESS DASHBOARD		-
-	A425315	1	INDICATOR LIGHTS DASHBOARD		-
-	A440326	1	ALARM BEEPER D28,5/D45 -H47		-
-	A436572	1	PANEL ABS GAUGES CAB DLX		-
-	66156	1	IGNITION SWITCH 12V/30A/60A IP65 COBO		-
-	A442322	1	ROCKER SWITCH ON-OFF-MOM 3-POLE		-
-	A443283	4	TOGGLE SWITCH ON-OFF 2-POLE		-
-	64074	1	PUSH BUTTON F22,5 SIGNAL HORN		-
-	A436674	1	MOUNTING FRAME ASSEMBLY SWITCH PANEL CAB		-
-	A436642	1	MOUNTING FRAME ASSEMBLY DISPLAY CAB		-

2.2.2024

**A449724 SEAT FULL SUSPENSION FABRIC HEATER MSG65**



2.2.2024

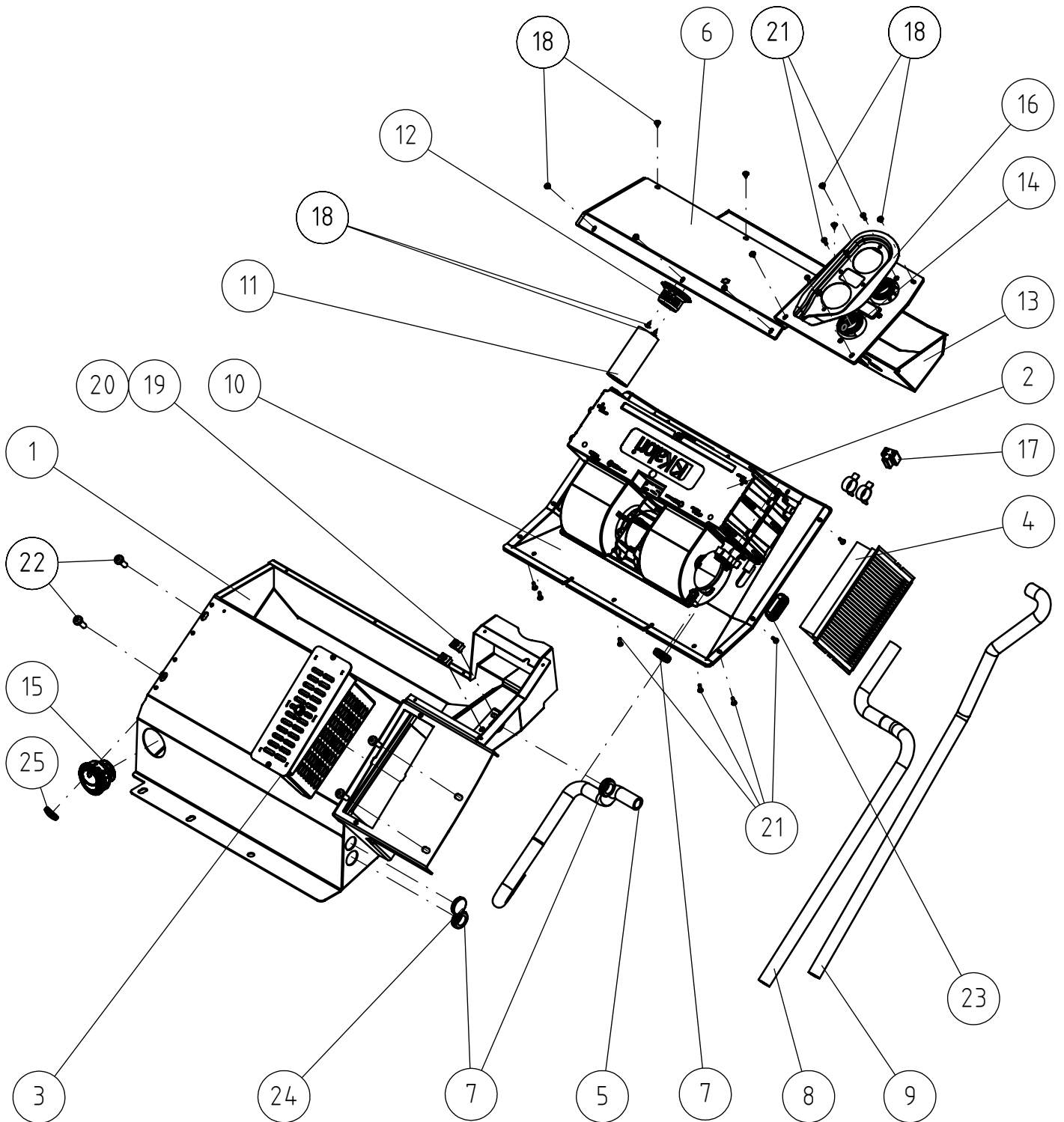
**A449724 SEAT FULL SUSPENSION FABRIC HEATER MSG65**

REF	PART NO	QTY	DESCRIPTION	NOTES	PAGE
1	A452237	1	ARMREST LEFT, SEAT GRAMMER MSG65		-
2	A454836	1	MOUNTING PLATE SEAT CAB GT		-
3	A438059	4	SLIDING NUT M8		-
4	75131	4	BUTTON HEAD SOCKET CAP SCREW M8*12 10.9		-

212/236

2.2.2024

# A438246 HEATER ASSEMBLY CAB GT



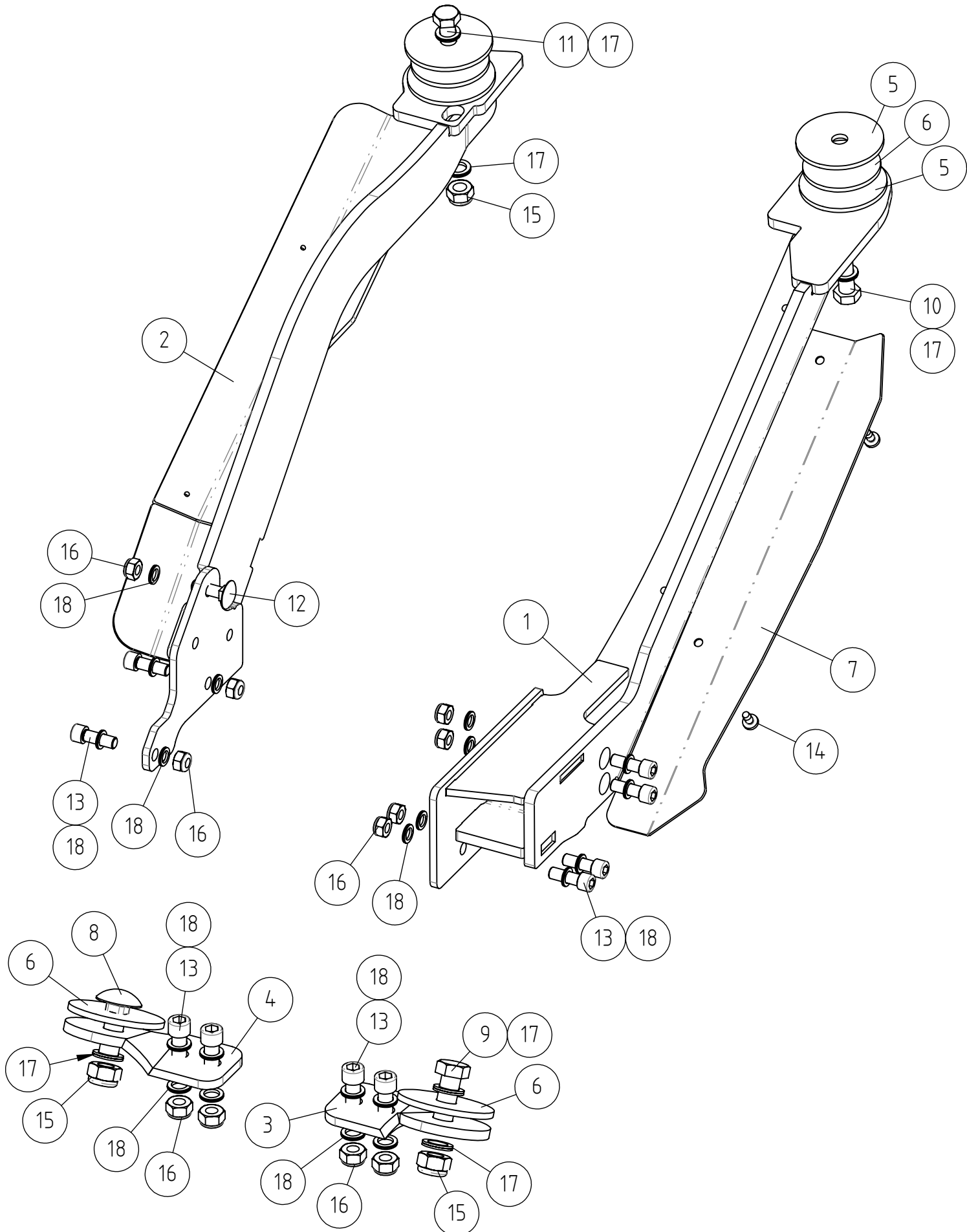
2.2.2024

**A438246 HEATER ASSEMBLY CAB GT**

REF	PART NO	QTY	DESCRIPTION	NOTES	PAGE
1	A434046	1	HOUSING, HEATER CAB GT		-
2	A438010	1	HEATER CAB GT KOOL E 12V		-
3	A434672	1	HOUSING AIR FILTER CAB		-
4	A422597	1	AIR FILTER CARTRIDGE CAB		-
5	A434090	1	HOSE HEATER CAB GT		-
6	A438253	1	COVER PLATE HEATER CHANNEL CAB GT		-
7	A434302	3	GROMMET F32/25/19 60SH		-
8	A434303	1	INLET HOSE HEATER CAB GT		-
9	A434304	1	RETURN HOSE HEATER CAB GT		-
10	A436401	1	LID HEATER CAB GT		-
12	A436387	1	HOSE FITTING 40MM		-
13	A438219	1	ISOLATION PLATE HEATER CHANNEL CAB GT		-
14	65514	1	THERMOSTAT, HEATER, CAB		-
15	A436549	1	NOZZLE 60MM AIR FLOW CAB GT		-
16	A437682	1	FRAME, HEATER ADJUSTMENT KNOB CAB GT		-
17	A436290	1	WIRE HARNESS HEATER/AIRCON CAB GT		-
18	A436550	12	PAN HEAD MACHINE SCREW M3,9*9,5		-
19	75172	2	SPEED NUT M5 FOR 0.5-4.0 MM PLATE		-
20	74771	2	PAN HEAD MACHINE SCREW M5* 25		-
21	A430277	16	TORX SCREW M4*12		-
22	75128	4	THREAD-FORMING SCREW M8*25 DIN 7500C		-
23	65849	2	PLUG OVAL 20X50		-
24	66034	1	RUBBER PLUG F35/F25-10 S=3		-
25	A438250	1	RUBBER PLUG D28/D21 S=3 60SH		-
26	A438229	4	HOSE CLAMP D23		-

2.2.2024

# A442729 SUBFRAME CAB GT





2.2.2024

**A442729 SUBFRAME CAB GT**

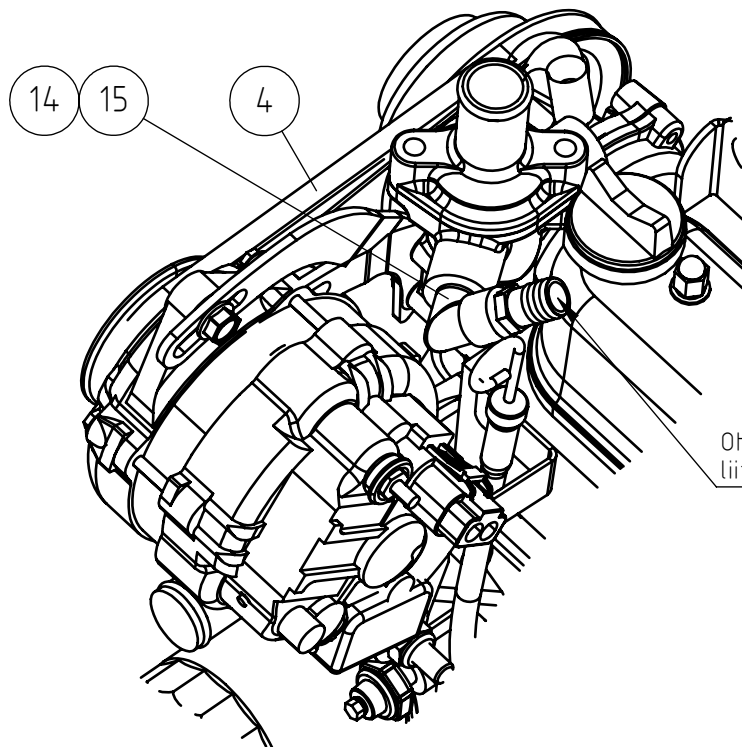
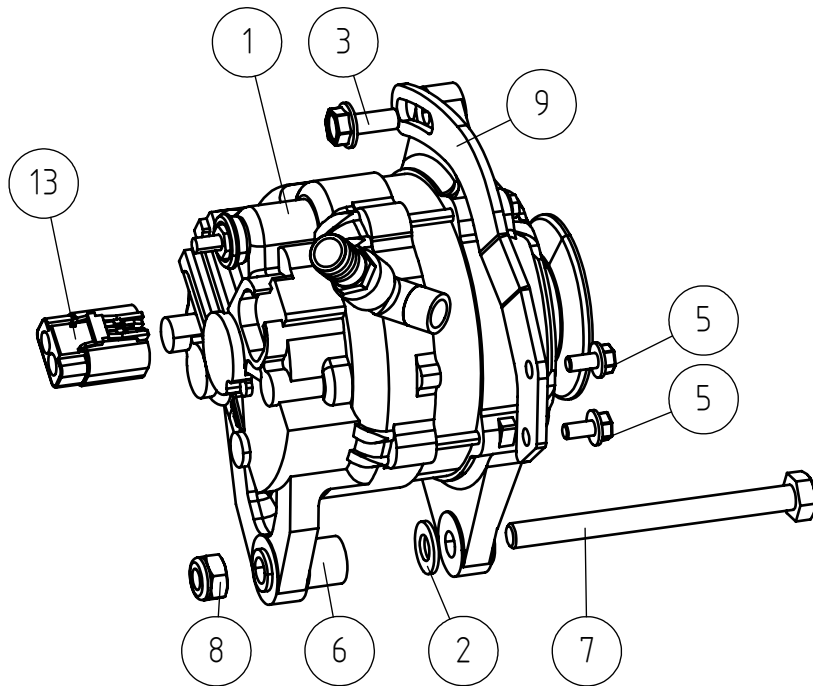
REF	PART NO	QTY	DESCRIPTION	NOTES	PAGE
1	A452292	1	MOUNTING BRACKET LEFT SUBFRAME CAB GT		-
2	A452289	1	MOUNTING BRACKET RIGHT SUBFRAME CAB GT		-
3	A445439	1	MOUNTING PLATE LEFT CAB		-
4	A445639	1	MOUNTING PLATE RIGHT CAB		-
5	A438392	4	WASHER SUBFRAME CAB GT		-
6	A442463	4	RUBBER WASHER SUBFRAME CAB GT		-
7	A446409	1	COVER PANEL LEFT SUBFRAME CAB GT		-
8	74404	1	CARRIAGE BOLT M16*45 DIN603		-
9	72192	1	HEXAGONAL SCREW M16*45 DIN 933		-
10	72193	1	HEXAGONAL SCREW M16* 50 DIN 933		-
11	73569	1	HEXAGONAL SCREW M16* 60 DIN 933		-
12	74915	1	CARRIAGE BOLT M12*40 DIN603		-
13	74876	10	HEXAGONAL HEAD SCREW M12*35 DIN912		-
14	A465214	2	THREAD-FORMING SCREW M8*16 DIN 7500-PE		-
15	72330	3	HEXAGONAL NUT M16 NYLOC DIN 985		-
16	72324	11	HEXAGONAL NUT M 12 NYLOC DIN 985		-
17	74533	6	WASHER, PAIR, M16 NL16 NORDLOCK		-
18	74532	21	WASHER NORDLOCK NL12		-

216/236

2.2.2024

80A only with cabin GT

# A462115 ALTERNATOR 80A ASSEMBLY



Ohjaamon lämmityslaitteen  
liitos.

2.2.2024

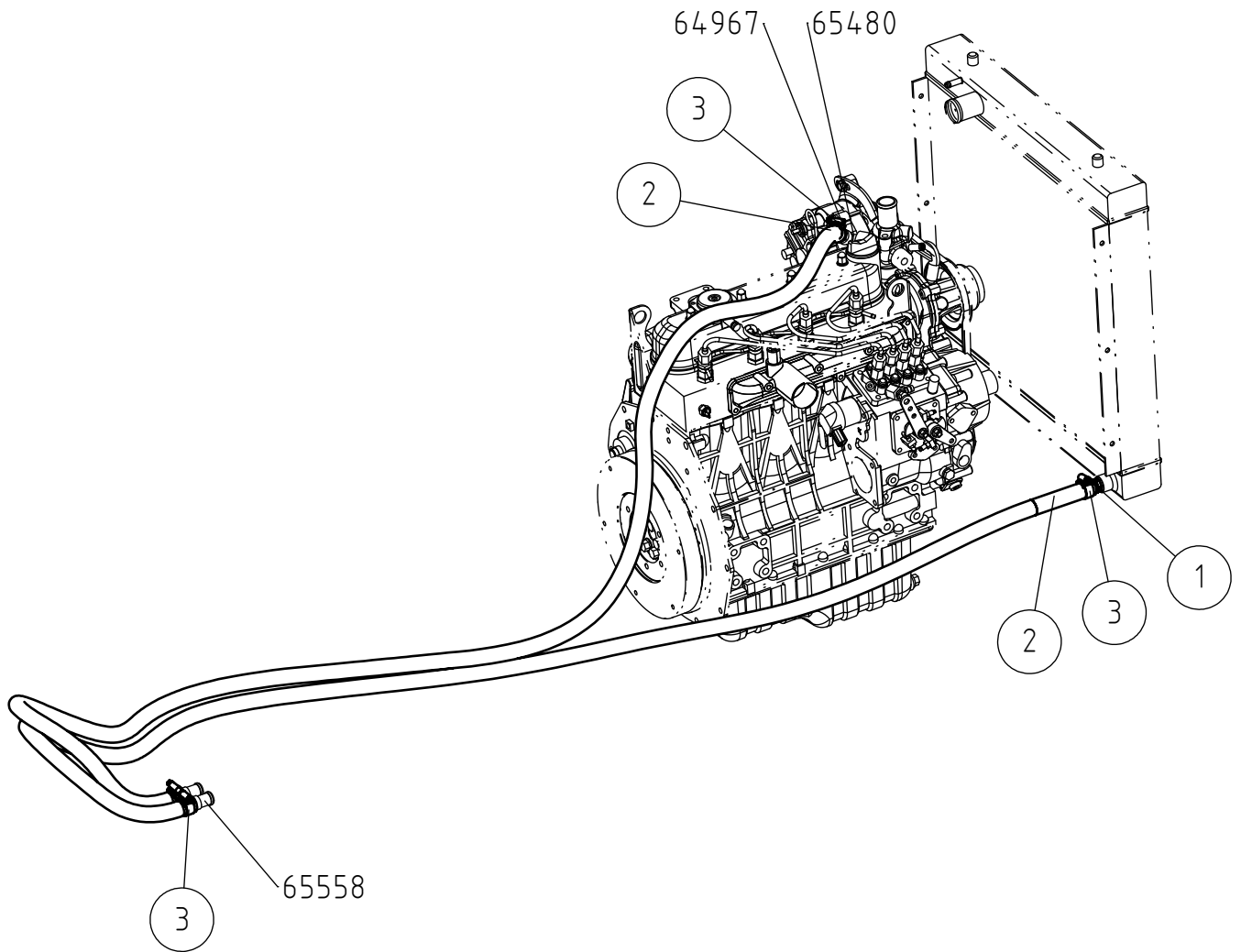
80A only with cabin GT

**A462115 ALTERNATOR 80A ASSEMBLY**

REF	PART NO	QTY	DESCRIPTION	NOTES	PAGE
1	A447936	1	ALTERNATOR 80A		-
2	73121	2	WASHER M10 A10,5 DIN 125 ZN		-
3	A429201	1	HEXAGONAL SERRATED SCREW M8*20 WITH		-
4	A450874	1	V-BELT L=1005		-
5	A431968	2	HEXAGONAL SERRATED SCREW M6*12 WITH		-
6	A448303	1	BUSHING F19/F10 ALTERNATOR KUBOTA V1505		-
7	74735	1	HEXAGONAL SCREW M10*120 DIN 933		-
8	72322	1	HEXAGONAL NUT M 10 NYLOC DIN 985		-
9	A447956	1	ADJUSTMENT BRACKET ALTERNATOR		-
10	A462103	1	BANJO BOLT R3/8"		-
11	73954	1	BANJO BOLT R3/8" L=29		-
12	73379	2	USIT-COMPRESSION 3/8"		-
13	A458856	1	ADAPTER ALTERNATOR 80A KUBOTA V1505		-
14	64967	1	HOSE BARB R3/8"UK - 16MM L=44		-
15	65480	1	ELBOW FITTING 90 DEGR. 22 38 38		-

218/236

# A465414 HEATER HOSES IN ENGINE COMPARTMENT



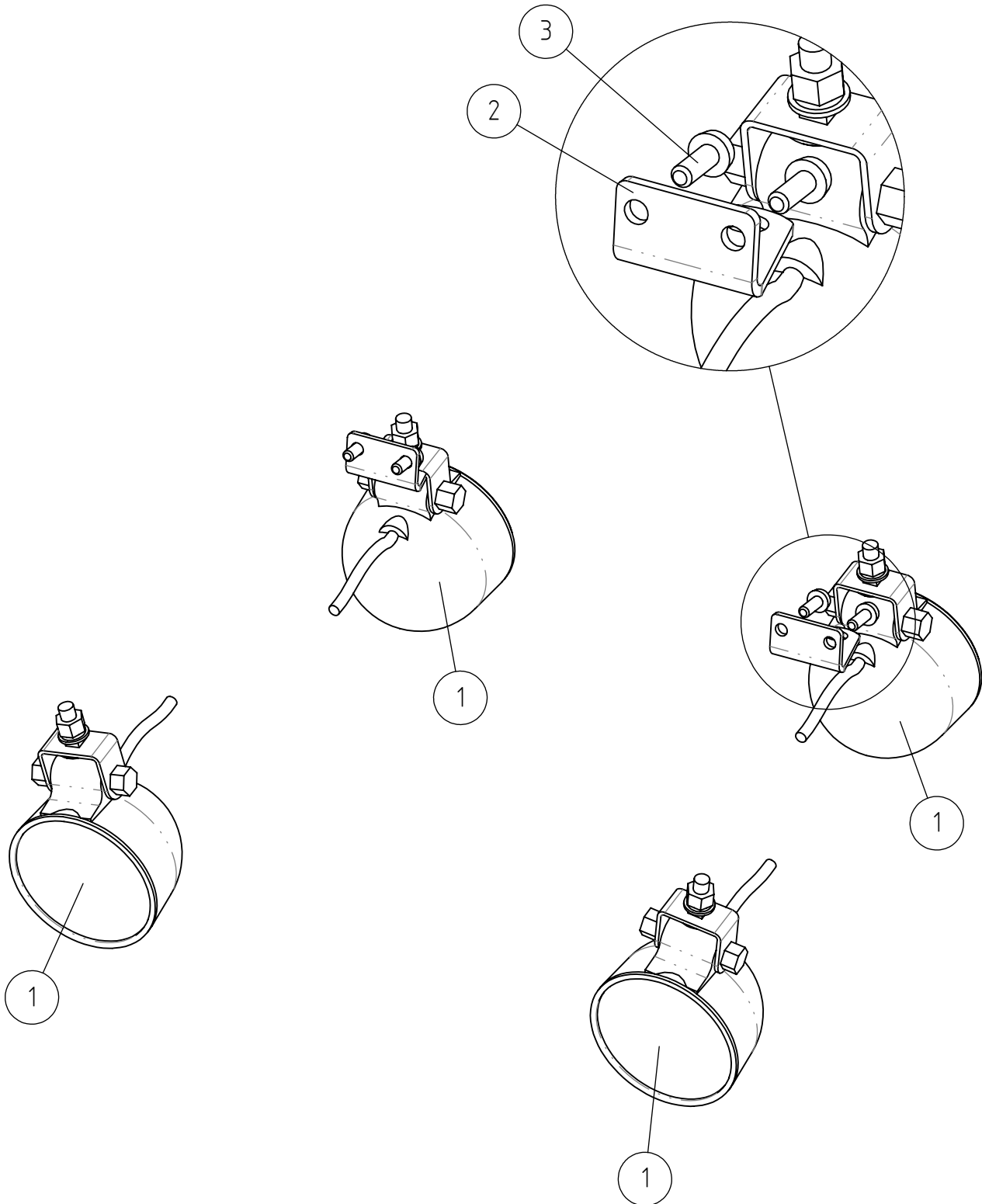
2.2.2024

**A465414 HEATER HOSES IN ENGINE COMPARTMENT**

REF	PART NO	QTY	DESCRIPTION	NOTES	PAGE
1	64967	1	HOSE BARB R3/8"UK - 16MM L=44		-
2	A458261	2	WATER HOSE L=2700 RADIATOR - CAB		-
3	64337	4	HOSE CLAMP 19-28 MM ABA		-

220/236

# A438528 WORK LIGHT KIT LED 700LM CAB GT



2.2.2024

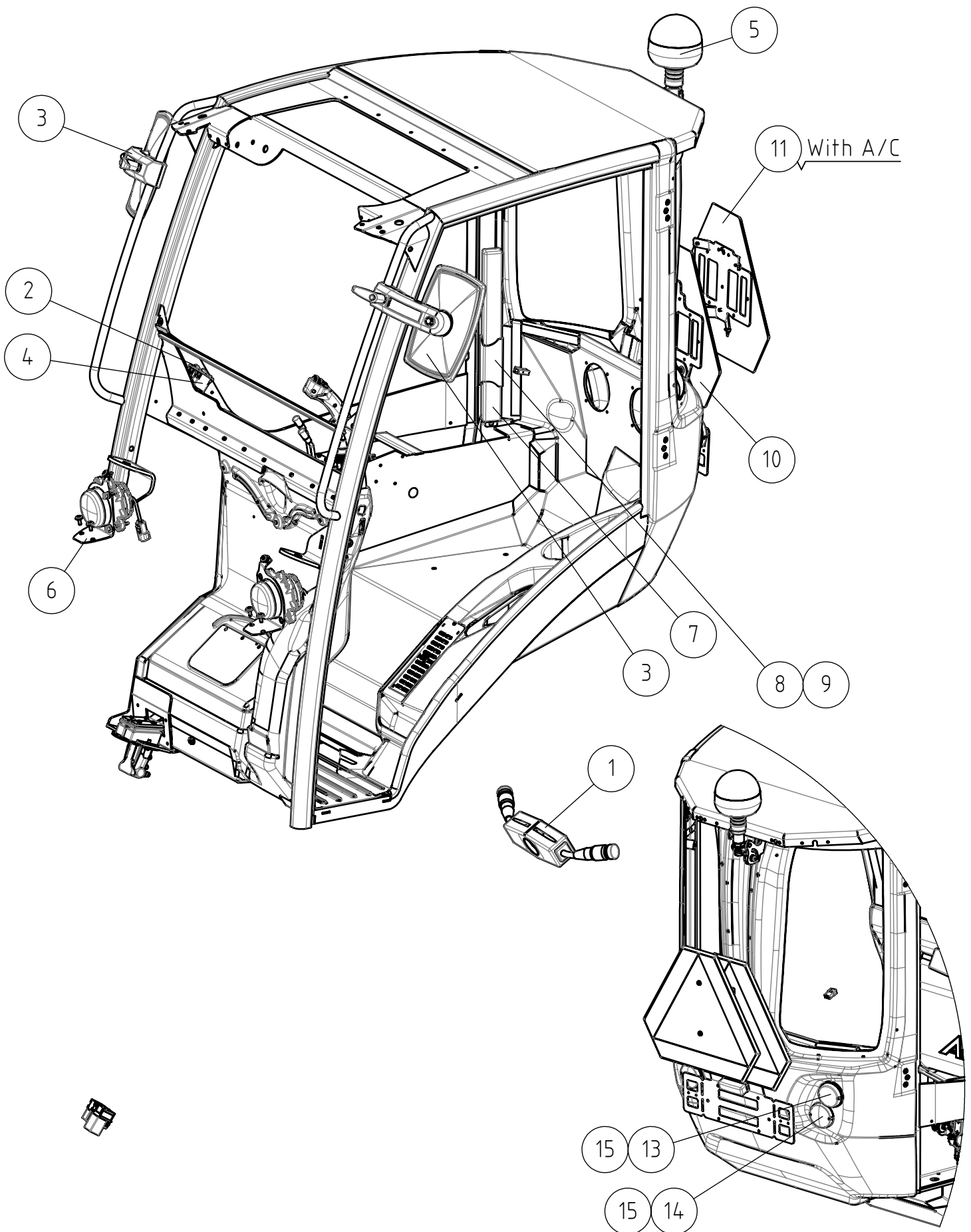
**A438528 WORK LIGHT KIT LED 700LM CAB GT**

REF	PART NO	QTY	DESCRIPTION	NOTES	PAGE
1*	66068	4	WORK LIGHT LED 700 LUMEN 12V/12W COBO	700 Lumen	-
1**	A419163	4	WORK LIGHT LED 2500 LUMEN WITH CONNECTOR	2500 Lumen	-
2	A438523	2	MOUNTING BRACKET WORK LIGHT CAB 800 SER		-
3	75129	4	THREAD-FORMING SCREW M6*16 DIN 7500C		-

222/236

2.2.2024

# A449942 ROAD TRAFFIC KIT CAB GT 500-600 SERIES



223/236



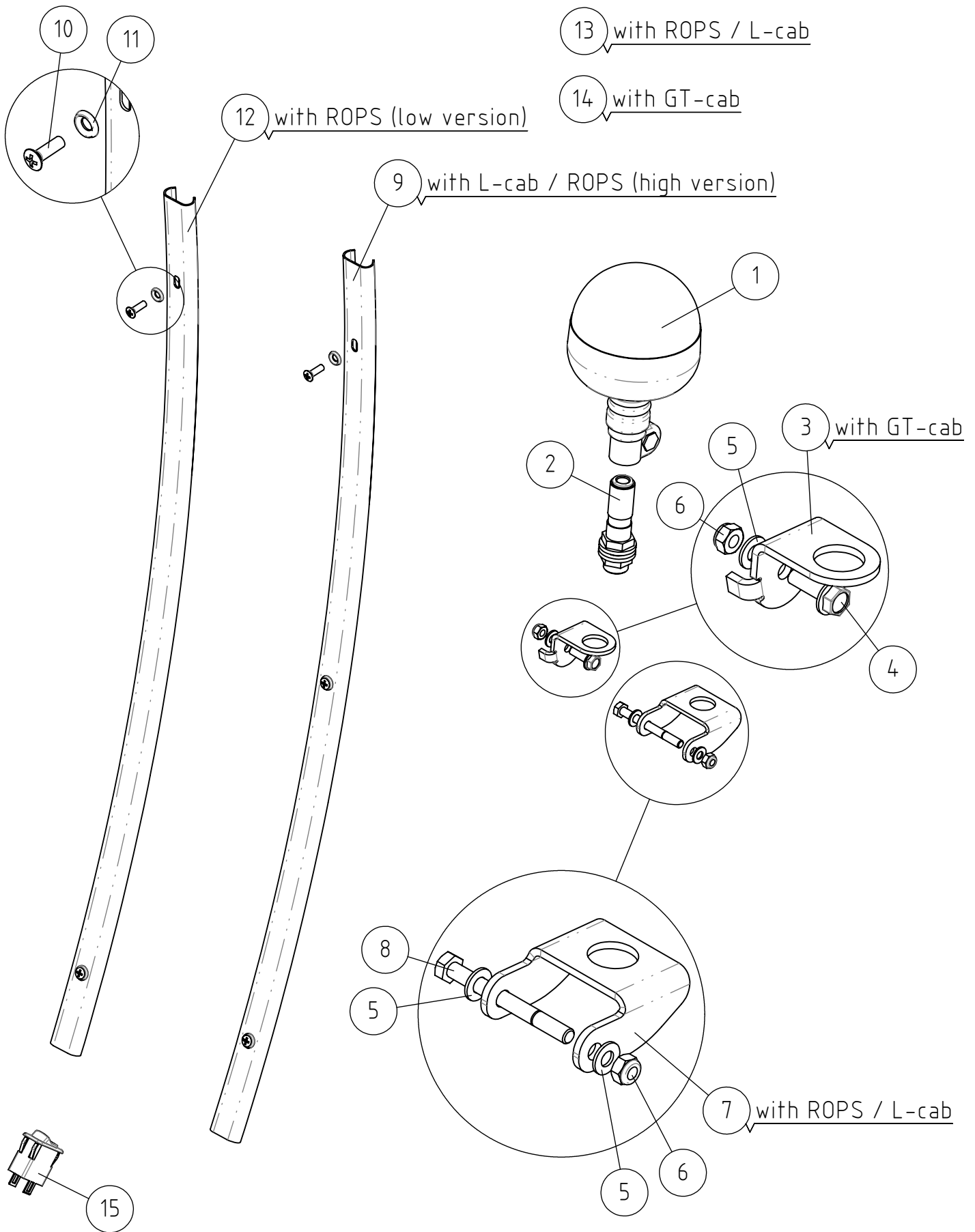
2.2.2024

**A449942 ROAD TRAFFIC KIT CAB GT 500-600 SERIES**

REF	PART NO	QTY	DESCRIPTION	NOTES	PAGE
1	65640	1	LIGHTS/WINDSCREEN WIPER LEVER SWITCH		-
2	65064	1	SWITCH, WARNING BLINKER		-
3	A437856	2	SIDE MIRROR WITH ARM CAB GT		-
3.1	A437934	1	SIDE MIRROR R1400		-
3.2	A437935	1	ARM SIDE MIRROR		-
4	65065	1	SWITCH, BEACON		-
5	A438530	1	BEACON 800 SERIES		226
6	A450854	1	HEADLAMPS / PARKING LIGHTS / INDICATOR		-
7	A435070	1	SLOW MOVING VEHICLE TRIANGLE 430X45X30		-
8	A438769	1	MOUNTING BRACKET WARNING TRIANGLE CAB GT		-
9	A429914	2	TORX SCREW 5X20 10.9		-
10	A438396	1	SLOW MOVING VEHICLE SIGN WITH BRACKET		-
10.1	64733	1	SIGN, SLOW MOVING VEHICLE, RED		-
11	A438374	1	SIGN, SLOW MOVING VEHICLE, RED		-
11.1	64733	1	SIGN, SLOW MOVING VEHICLE, RED		-
12	A449798	1	WIRE HARNESS ROAD TRAFFIC KIT FRONT		-
12.1	A438175	2	RELAY 12V/30A		-
12.2	65751	1	INDICATOR RELAY 12V 84W WEH-54 201 102		-
13	64849	2	BLINKER		-
14	A437537	2	REAR LIGHT BRAKE AND PARKING (RED) 12V		-
15	A435740	8	HEXAGONAL HEAD SCREW M3*20 DIN 912		-
16	A438379	1	MOUNTING BRACKET ASSEMBLY LICENCE PLATE		-

224/236

# A438530 BEACON 800 SERIES



2.2.2024

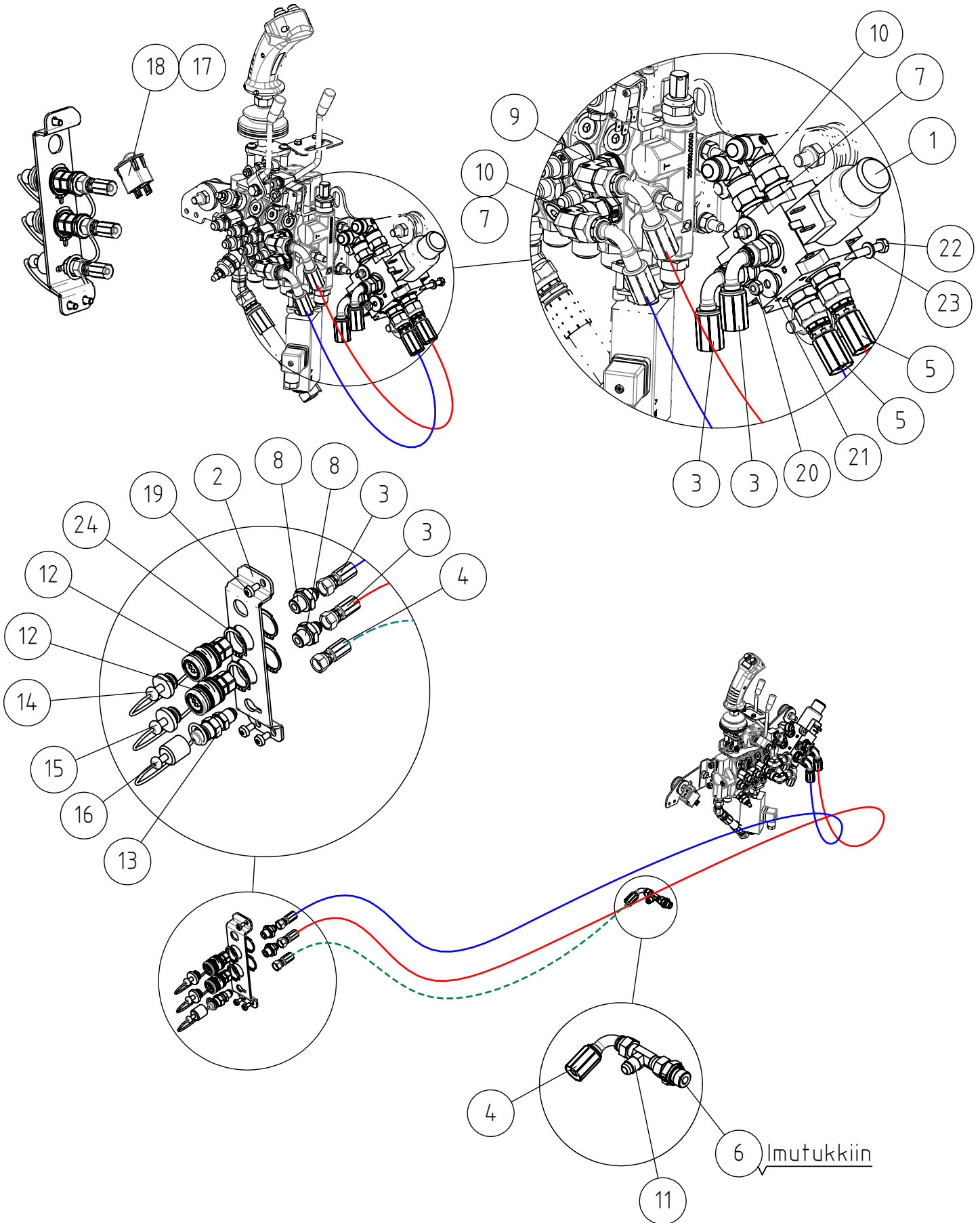
**A438530 BEACON 800 SERIES**

REF	PART NO	QTY	DESCRIPTION	NOTES	PAGE
1	A435335	1	BEACON, ORANGE WITH LED LIGHT 11W		-
2	65058	1	BRACKET (PIN), BEACON		-
3	A412068	1	BRACKET, BEACON, CAB DLX		-
4	A429202	1	HEXAGONAL SERRATED SCREW M8*25 WITH FLAN		-
5	73122	3	WASHER M8 A8,4 DIN 125 ZN		-
6	72320	2	HEXAGONAL NUT M8 NYLOC DIN 985		-
7	A49059	1	BRACKET, BEACON		-
8	72143	1	HEX. SCREW M8*80 DIN 931		-
9	A49080	1	COVER STRIP, SIDE		-
10	74767	5	RAISED COUNTERSUNK HEAD SCREW M6*20		-
11	74768	5	WASHER CONICAL M6		-
12	A450714	1	COVER STRIP SIDE SHORT		-
13	A440104	1	WIRE HARNESS BEACON 700/800 ROPS STAGE V		-
14	A440977	1	ADAPTER ROTATING BEACON CAB GT		-
15	65065	1	SWITCH, BEACON		-

226/236

2.2.2024

# A455809 REAR AUX. HYDR. OUTLET, DOUBLE ACTING



2.2.2024

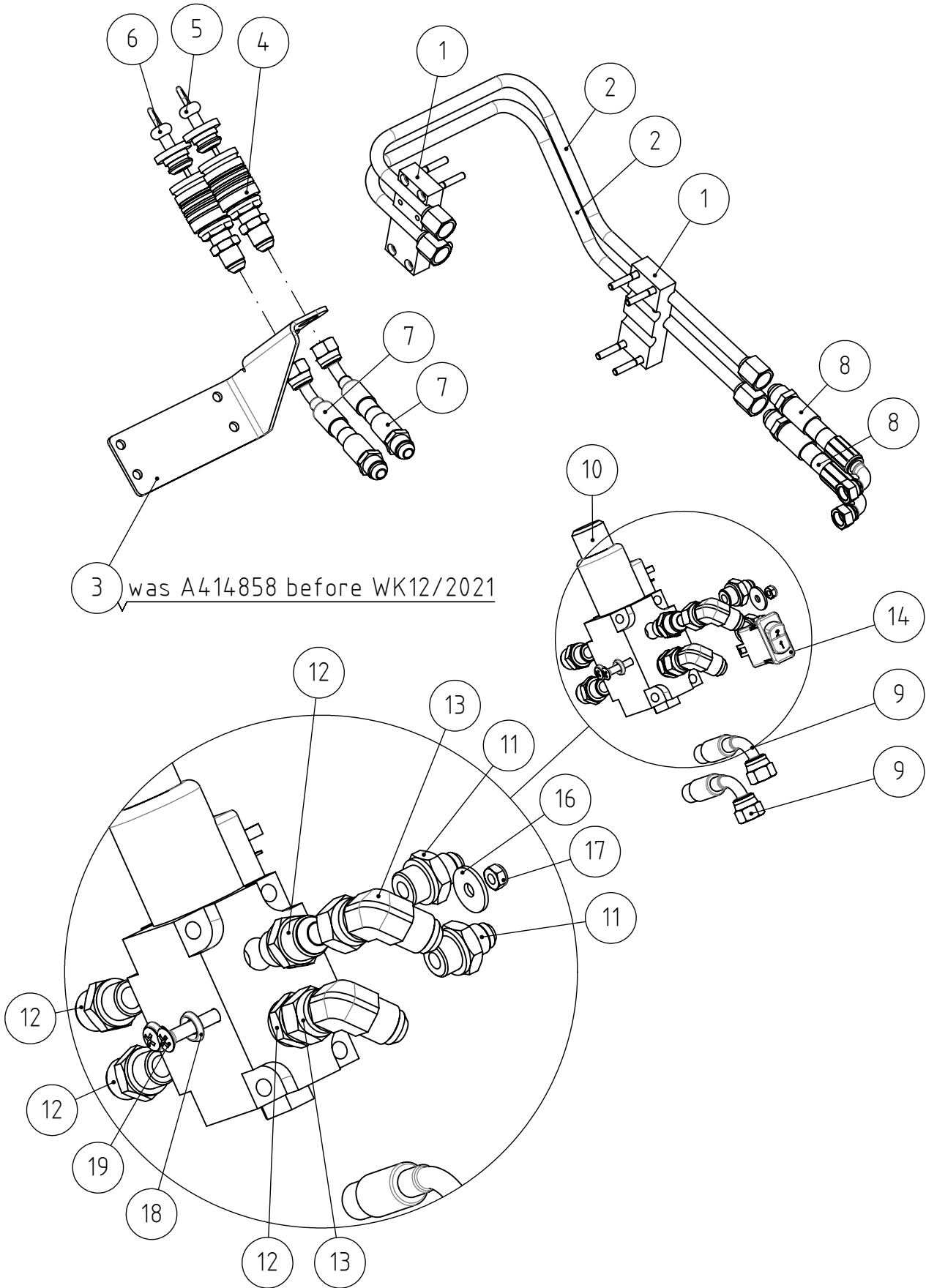
**A455809 REAR AUX. HYDR. OUTLET, DOUBLE ACTING**

REF	PART NO	QTY	DESCRIPTION	NOTES	PAGE
1	65099	1	SELECTOR VALVE DFE100/6 12VDC		-
1.1	A430809	1	SOLENOID 12VDC		-
2	A435340	1	MOUNTING BRACKET QUICK COUPLERS REAR		-
3	A451601	2	HYDR. HOSE L=3100		-
4	A429507	1	HYDR. HOSE L=1600		-
5	A47730	2	HYDR. HOSE L=600 2LW-06 JIC12-JIC12 90DG		-
6	64041	3	BASIC FITTING F40XS10-3/8 /8		-
7	64042	5	BASIC FITTING F40XS12-3/8 /8		-
8	64058	2	BASIC FITTING F40XS12-1/2		-
9	64068	1	ELBOW FITTING 90 DEGR. C40XS12-3/8 /8		-
10	64134	3	ELBOW FITTING 90 DEGR. C6XS12		-
11	64078	1	L-FITTING BODY R6XS10		-
12	A444063	2	QUICK COUPLER 1/2" (FEMALE)		-
13	64189	1	QUICK COUPLING MALE UNION 1/2" 4V14-T5X4		-
14	65566	1	RUBBER PLUG BLUE 1/2", QUICK COUPLING		-
15	65133	1	RUBBER COVER, RED, QUICK COUPLER		-
16	73753	1	COVER 1/2" TO MALE QUICK COUPLER		-
17	A49452	1	WIRE HARNESS, REAR AUX. HYDRAULICS		-
18	65276	1	ROCKER SWITCH, REAR AUXILIARY HYDRAULICS		-
19	A442270	3	THREAD-FORMING SCREW M8*16 DIN 7500C		-
20	72318	2	HEXAGONAL NUT M 6 DIN 985 NYLOC		-
21	71681	2	WASHER M6 DIN 440		-
22	A444407	2	HEXAGONAL SCREW M6*80 DIN 931		-
23	71680	2	WASHER M6 DIN 125		-
24	74769	4	SEEGER RING A 38*1,75 DIN 471		-

228/236

2.2.2024

# A35884 EXTRA AUX. HYDR. OUTLET, FRONT, 500 SERI



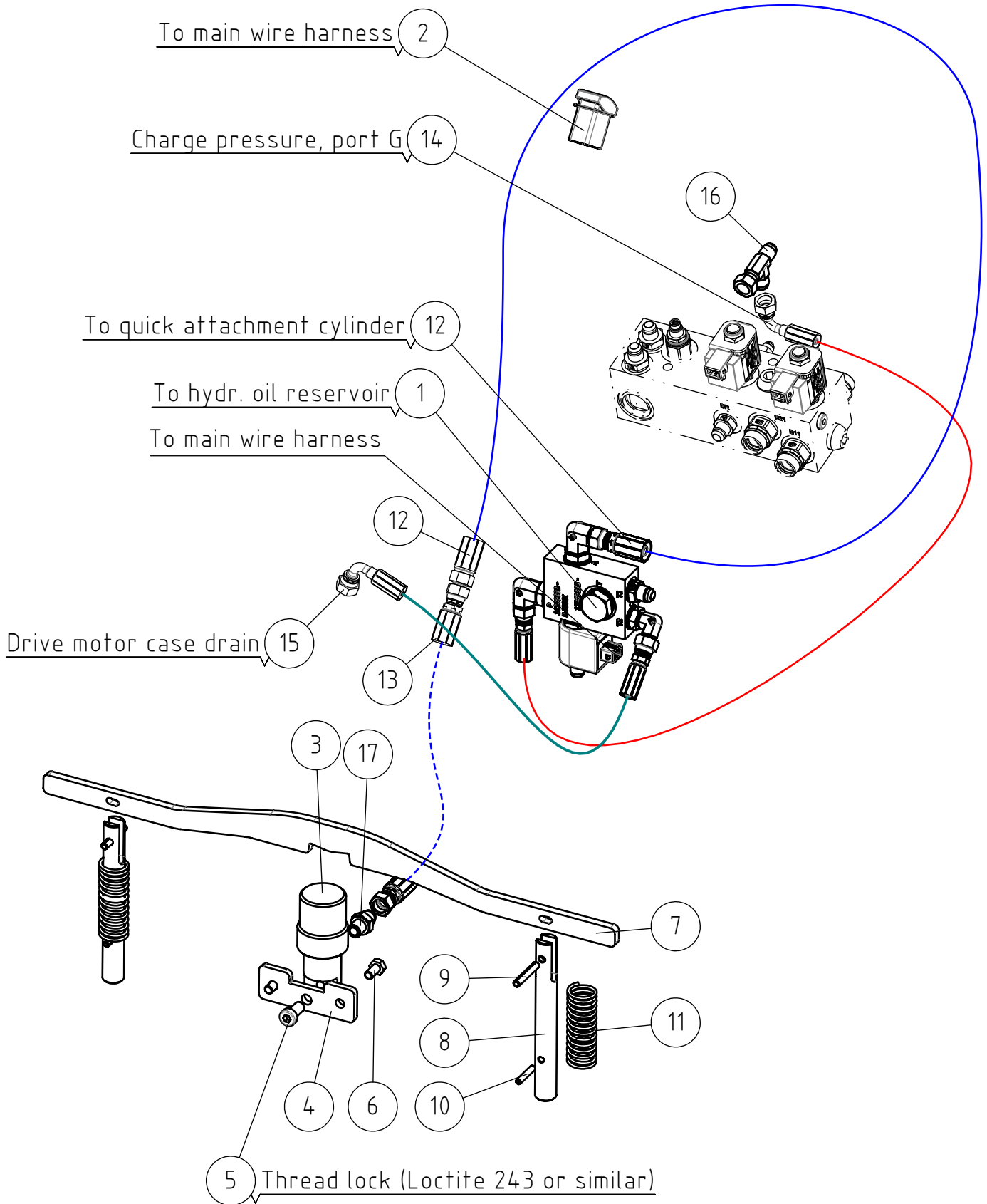
2.2.2024

**A35884 EXTRA AUX. HYDR. OUTLET, FRONT, 500 SERI**

REF	PART NO	QTY	DESCRIPTION	NOTES	PAGE
1	A414870	2	PIPE CLAMP F12		-
2	A414873	2	HYDRAULIC TUBE F12		-
3	A422154	1	MOUNTING PLATE, QUICK COUPLERS EXTRA		-
4	64190	2	QUICK COUPLING PART 1/2" 2V54-T5X4 FEMAL		-
5	73754	1	RUBBER PLUG 1/2", TO FEMALE QUICK COUPLE		-
6	65566	1	RUBBER PLUG BLUE 1/2", QUICK COUPLING		-
7	A414877	2	HYDR. HOSE L=1300		-
8	A47638	2	HYDR. HOSE L=1610 2LW-06		-
9	A47730	2	HYDR. HOSE L=600 2LW-06 JIC12-JIC12 90DG		-
10	65099	1	SELECTOR VALVE DFE100/6 12VDC		-
10.1	A430809	1	SOLENOID 12VDC		-
11	64041	2	BASIC FITTING F40XS10-3/8 /8		-
12	64042	4	BASIC FITTING F40XS12-3/8 /8		-
13	64134	2	ELBOW FITTING 90 DEGR. C6XS12		-
14	65276	1	ROCKER SWITCH, REAR AUXILIARY HYDRAULICS		-
15	A49452	1	WIRE HARNESS, REAR AUX. HYDRAULICS		-
16	71681	2	WASHER M6 DIN 440		-
17	72318	2	HEXAGONAL NUT M 6 DIN 985 NYLOC		-
18	74768	2	WASHER CONICAL M6		-
19	74861	2	CROSS-SLOT COUNTRS. HEAD SCREW M6*80		-
20	74438	8	HEXAGONAL HEAD SCREW M6*40 DIN 912		-

230/236

# A450469 HYDRAULIC ATTACHMENT COUPLING PLATE 500,





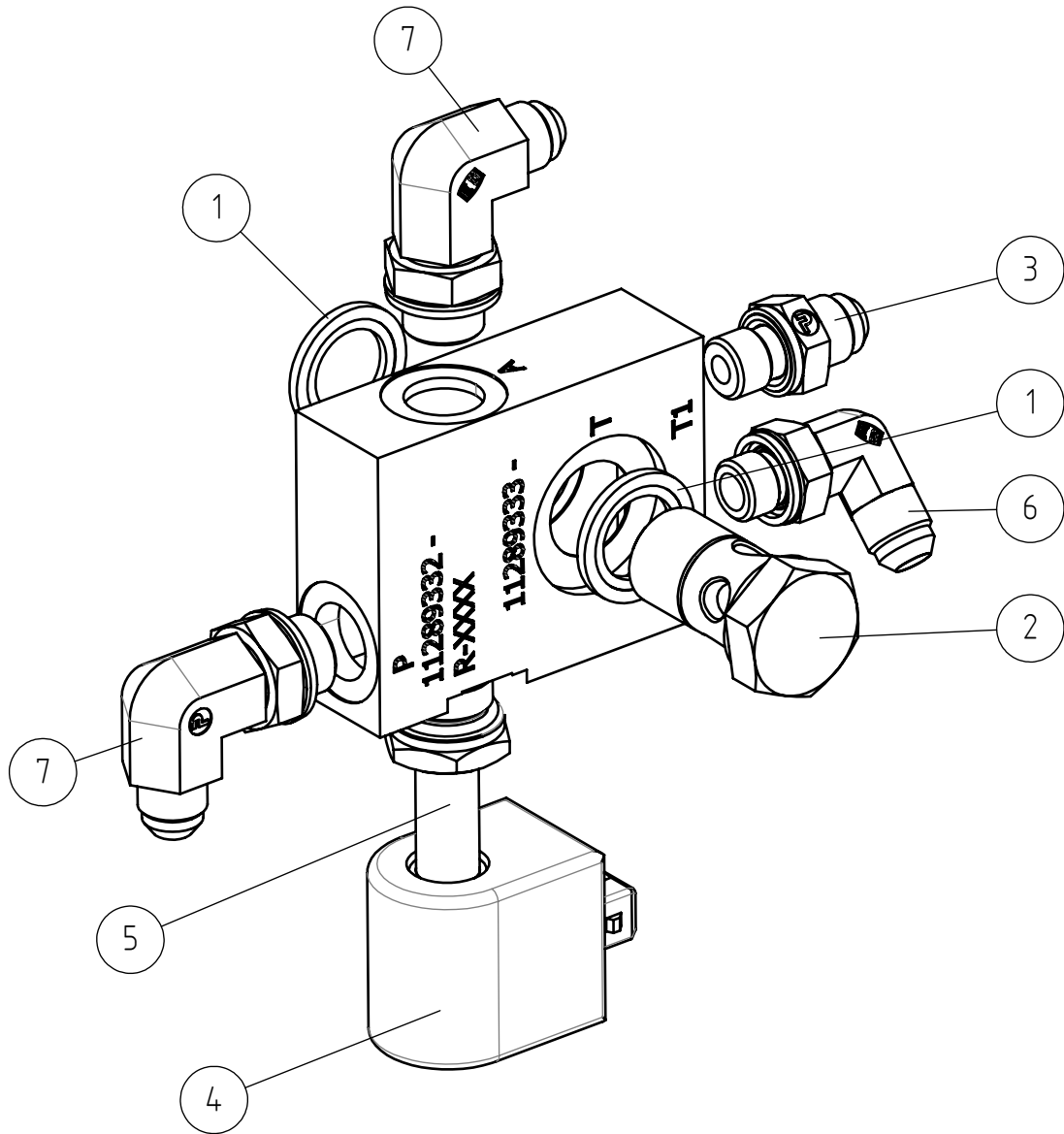
2.2.2024

**A450469 HYDRAULIC ATTACHMENT COUPLING PLATE 500,**

REF	PART NO	QTY	DESCRIPTION	NOTES	PAGE
1	A449703	1	VALVE ASSEMBLY HYDR. ATTACHMENT COUPLING		234
2	A430996	1	CONTROL SWITCH, HYDR ATTACHMENT COUPLING		-
3	A425700	1	HYDRAULIC CYLINDER F35/F35-30		-
4	A424829	1	MOUNTING BRACKET CYLINDER HYD QUICK ATTA		-
5	74752	1	HEXAGONAL HEAD SCREW M10*20 DIN 7984 ZN		-
6	73039	2	HEXAGONAL SCREW M 8*16 DIN 933 ZN		-
7	A424886	1	ROD HYDR. ATTACHMENT COUPLING		-
8	A410803	2	LOCKING PIN F20, HYDR. ATTACHM COUPLING		-
9	71793	2	SPRING COTTER PIN 6 * 40		-
10	73661	2	SPRING PIN 5*30 DIN 1481		-
11	A430549	2	COMPRESSION SPRING		-
12	A430210	1	HYDR. HOSE L=5600		-
13	A430203	1	HYDR. HOSE L=400		-
14	A415120	1	HYDR. HOSE L=750		-
15	A410017	1	HYDR. HOSE L=400		-
16	64078	1	L-FITTING BODY R6XS10		-
17	64059	1	BASIC FITTING F40XS10-1/4		-

232/236

# A449703 VALVE ASSEMBLY HYDR. ATTACHMENT COUPLING



2.2.2024

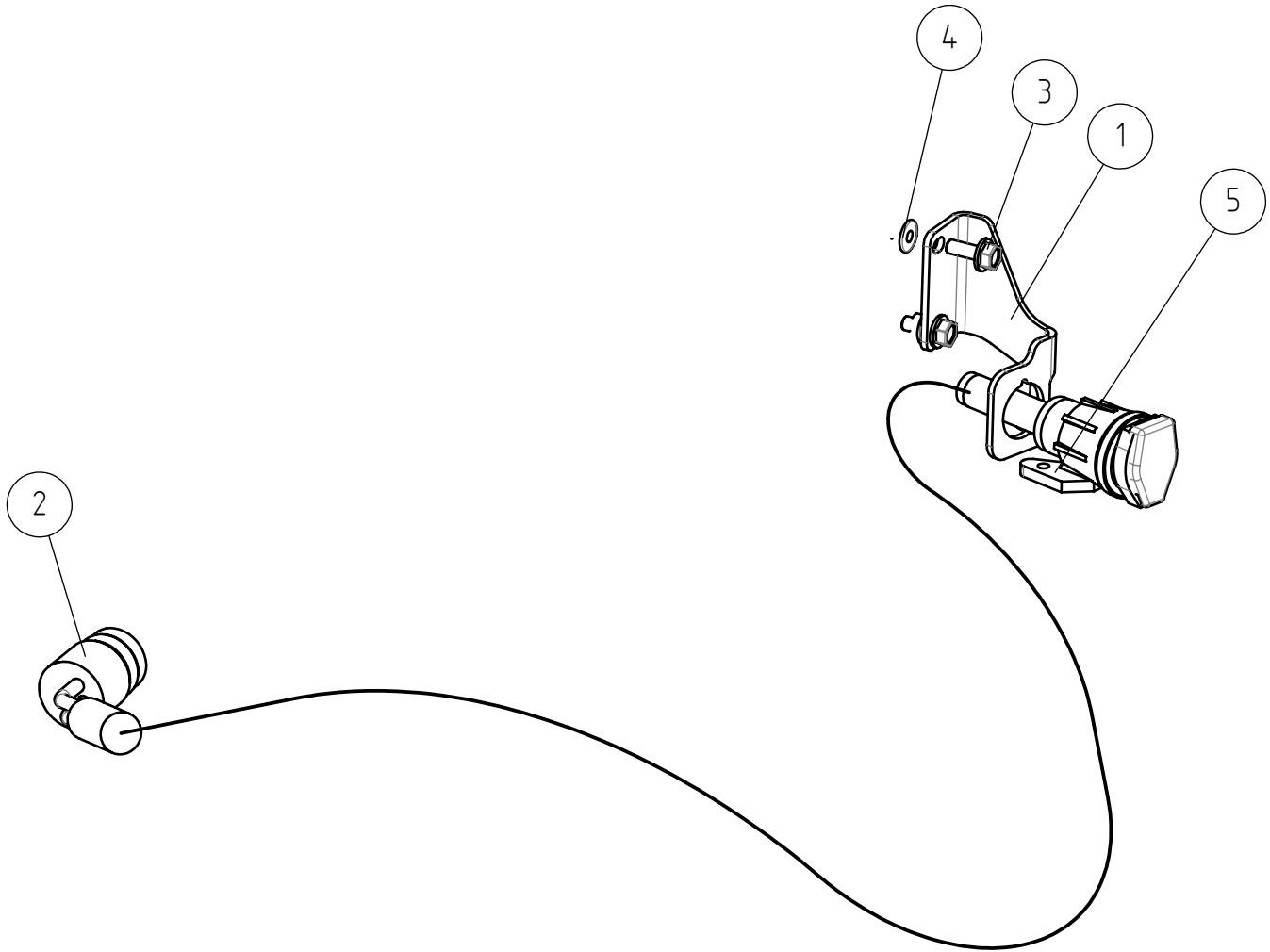
**A449703 VALVE ASSEMBLY HYDR. ATTACHMENT COUPLING**

REF	PART NO	QTY	DESCRIPTION	NOTES	PAGE
1	73047	2	USIT SEAL RING R/12"		-
2	73959	1	BANJO BOLT R 1/2"		-
3	64059	1	BASIC FITTING F40XS10-1/4		-
4	A449743	1	SOLENOID 12V/20W		-
5	A449744	1			-
6	64087	1	ELBOW FITTING 90 DEGR. /4#		-
7	64044	2	ELBOW FITTING 90° C40XS10-3/8 /8		-

234/236

2.2.2024

**A449947 ENGINE BLOCK HEATER 645I/650I 220/230V**



235/236

2.2.2024

**A449947 ENGINE BLOCK HEATER 645I/650I 220/230V**

REF	PART NO	QTY	DESCRIPTION	NOTES	PAGE
1	A450967	1	MOUNTING BRACKET CABLE ENGINE BLOCK		-
2	A450986	1	HEATER ELEMENT 230V/600W ENGINE BLOCK		-
3	A431967	2	HEXAGONAL SERRATED SCREW M6*16 W. FLANG		-
4	A452923	2	HEXAGONAL NUT M6 DIN 6923		-
5	64470	1	CONNECTING LEAD DEFA 460992 BLOCK HEATER		-

236/236

# **AVANT<sup>®</sup>**

## **Varaosat Spare parts**

Manufacturer:

**AVANT<sup>®</sup>**  
**AVANT TECNO OY**  
e-mail: [sales@avanttecho.com](mailto:sales@avanttecho.com)

Ylötie 1  
33470 Ylöjärvi  
FINLAND  
Tel. +358 3 347 8800  
Fax +358 3 348 5511